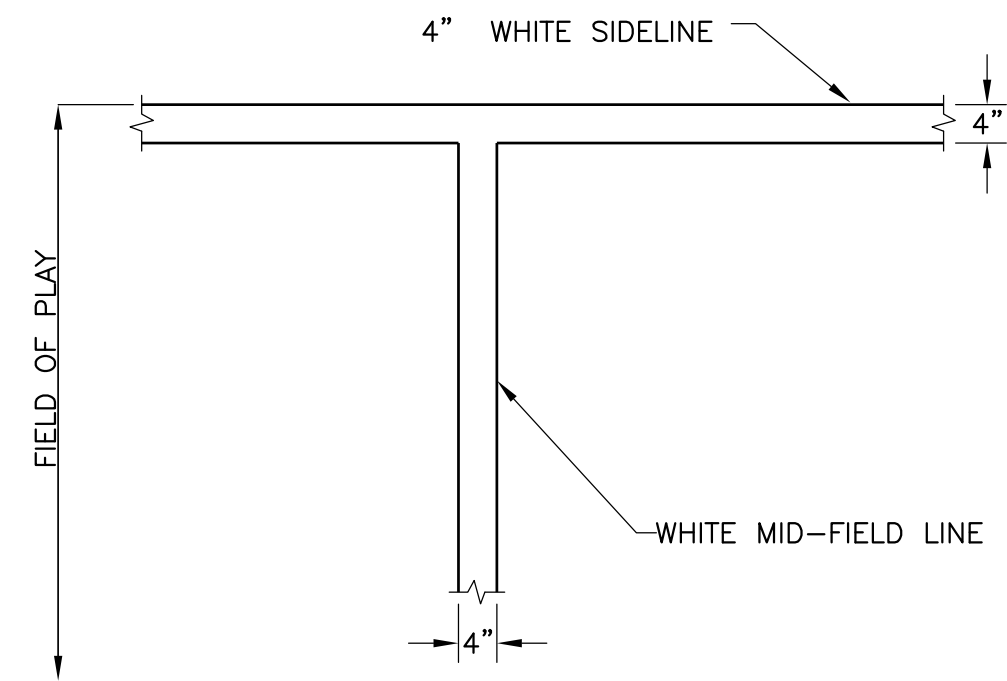
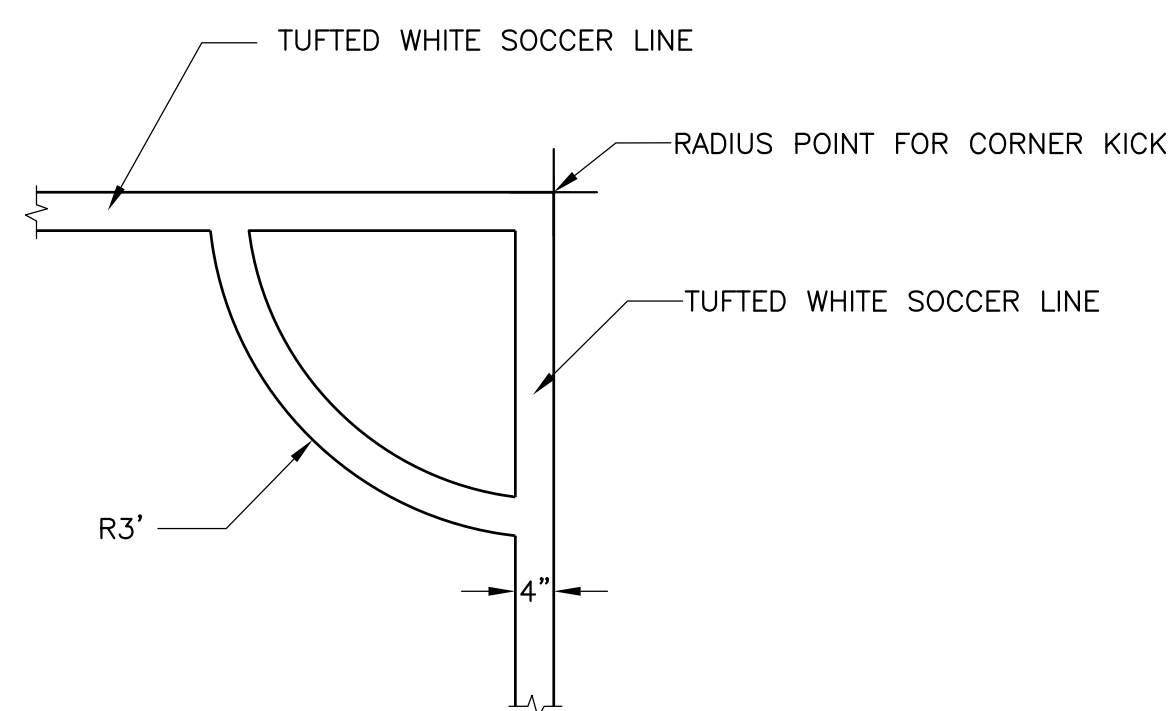


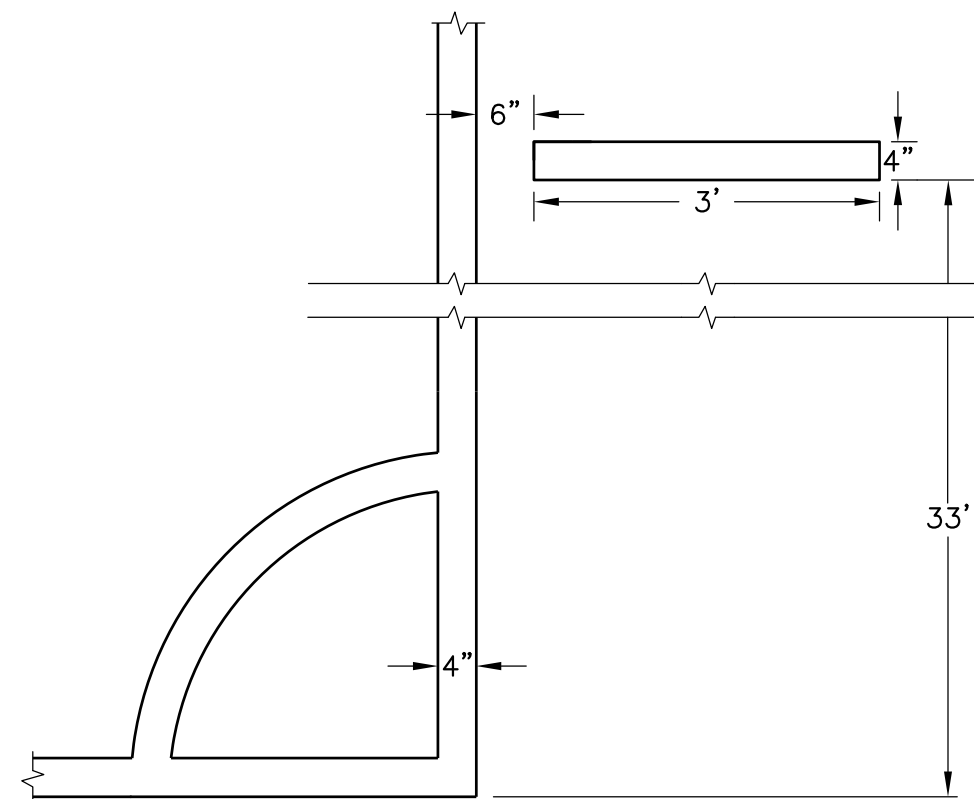
**1** SOCCER GOAL ALIGNMENT SQUARES  
F-8.2 NOT TO SCALE



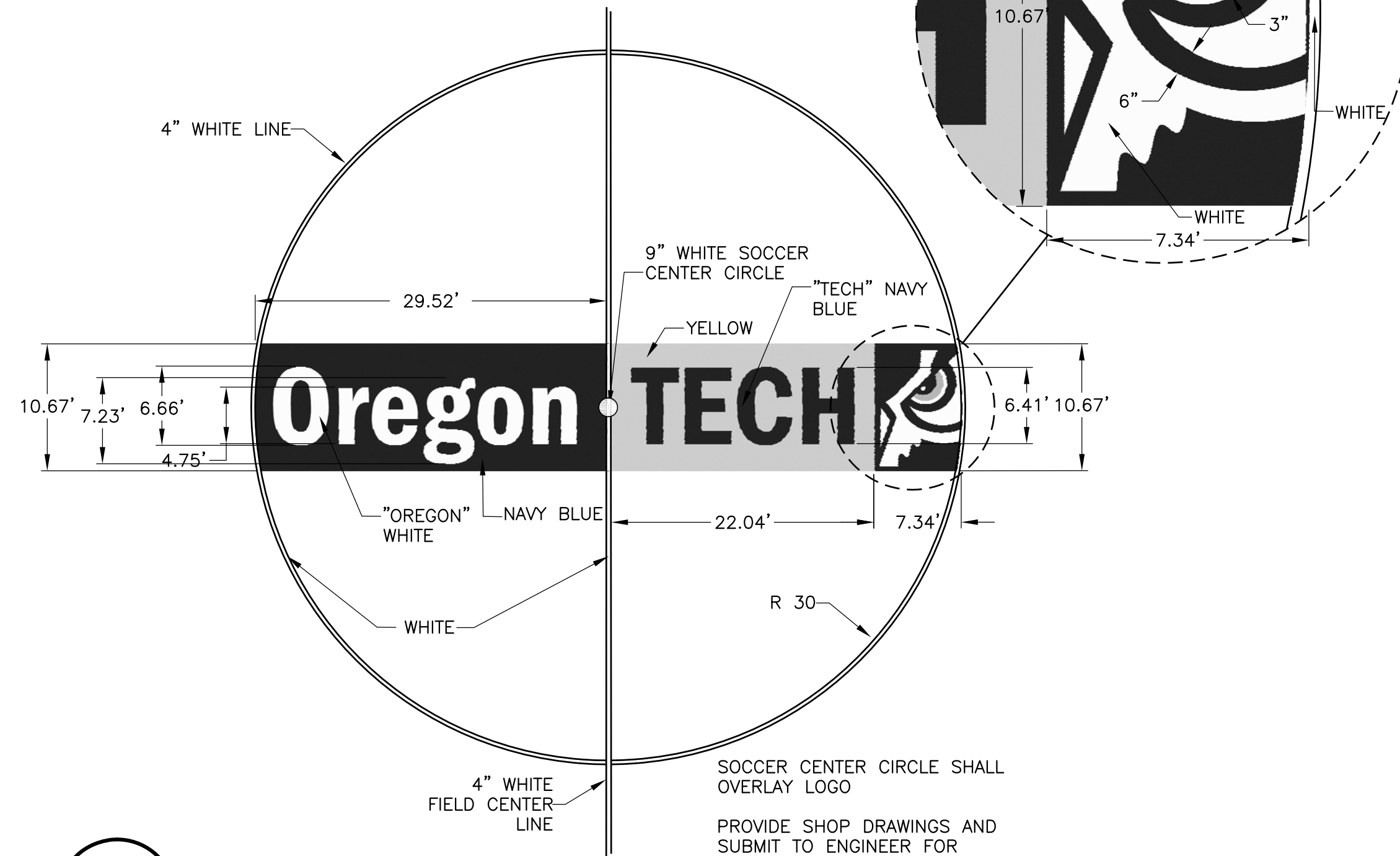
**2** SOCCER SIDELINE  
F-8.2 NOT TO SCALE



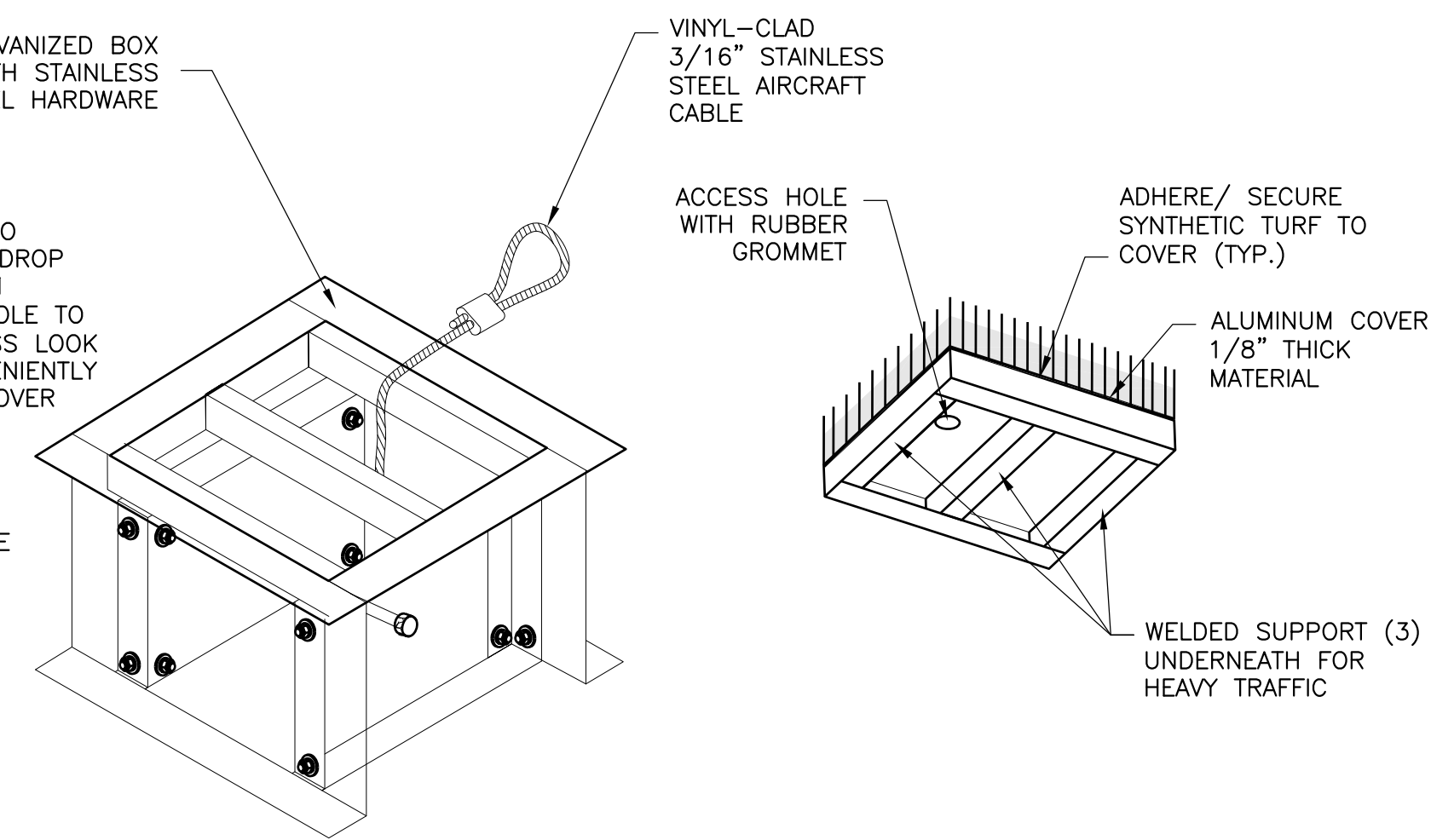
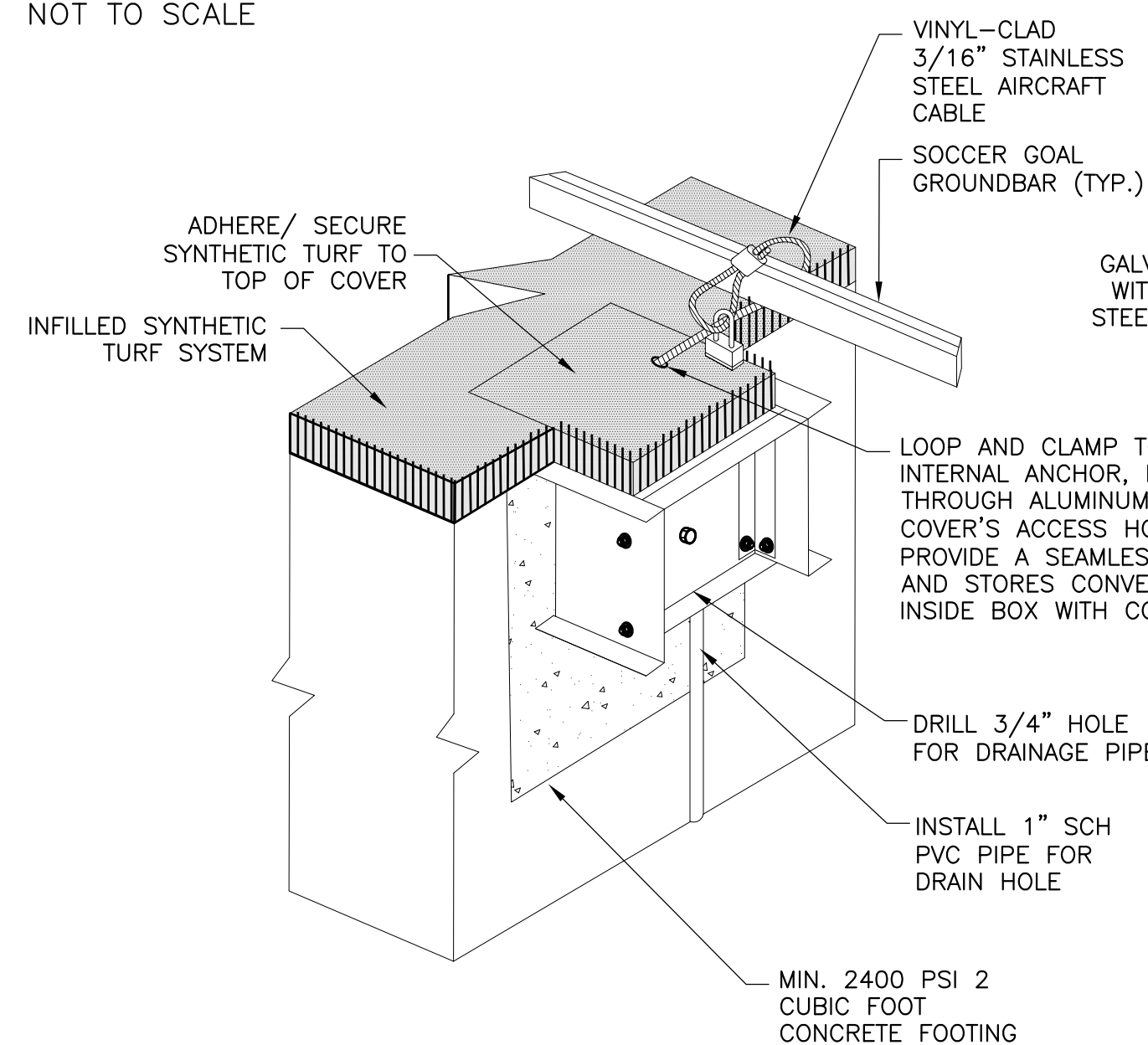
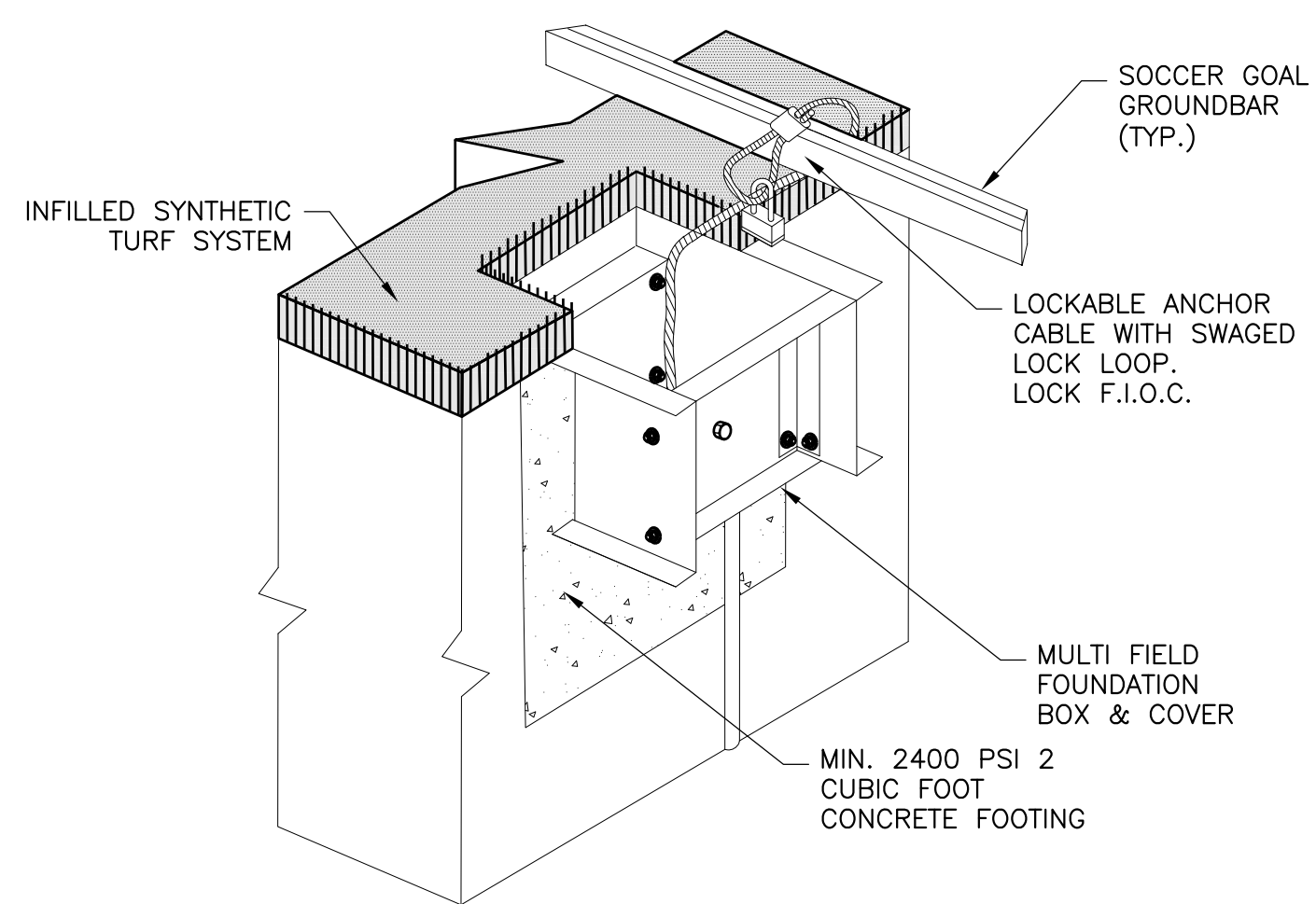
**3** CORNER KICK DETAIL  
F-8.2 NOT TO SCALE



**4** SOCCER HASH MARKS  
F-8.2 NOT TO SCALE



**5** MID-FIELD LOGO  
F-8.2 NOT TO SCALE



**6** SOCCER GOAL ANCHOR  
F-8.2 NOT TO SCALE



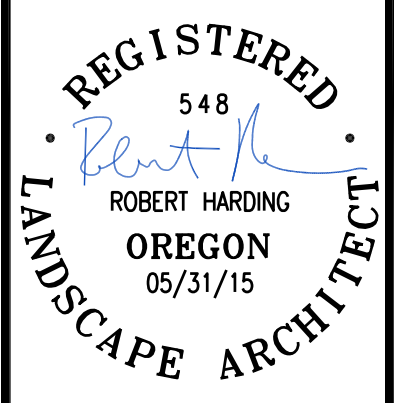
www.AuslandGroup.com  
Ashland 541.482.0923  
Eugene 541.345.1094  
Grants Pass 541.476.3788  
Medford 541.773.3387



Director Decision Date:	N.A.
First Submittal Date:	07/07/2015
Second Submittal Date:	
City Approval Date:	
Drawn By:	CPW, JS
Designed By:	EUG
Checked By:	EUG, RSH
Approved:	
Rev 1:	By: /
Rev 2:	By: /
Rev 3:	By: /
As-Built:	

OREGON TECH TRACK AND SOCCER PROJECT  
CONSTRUCTION DOCUMENTS  
MAP NO. 38-09-00, TAX LOT 4900  
3201 CAMPUS DRIVE, KLAMATH FALLS, OREGON  
CITY PROJECT NO. OIT-2704-P-13-17

VERIFY SCALES  
ORIGINAL DRAWING: BAR IS ONE INCH ON  
IF NOT ONE INCH ON THIS SHEET, ADJUST SCALES ACCORDINGLY



SHEET  
**F-8.2**

SOCCER DETAILS

Drawing Name: K:\Files\Current\Project Files\Oregon\Institute of Technology\Drawings\F-8.2 Soccer Details.dwg  
Plot Date: Jun 05, 2015 - 10:55pm