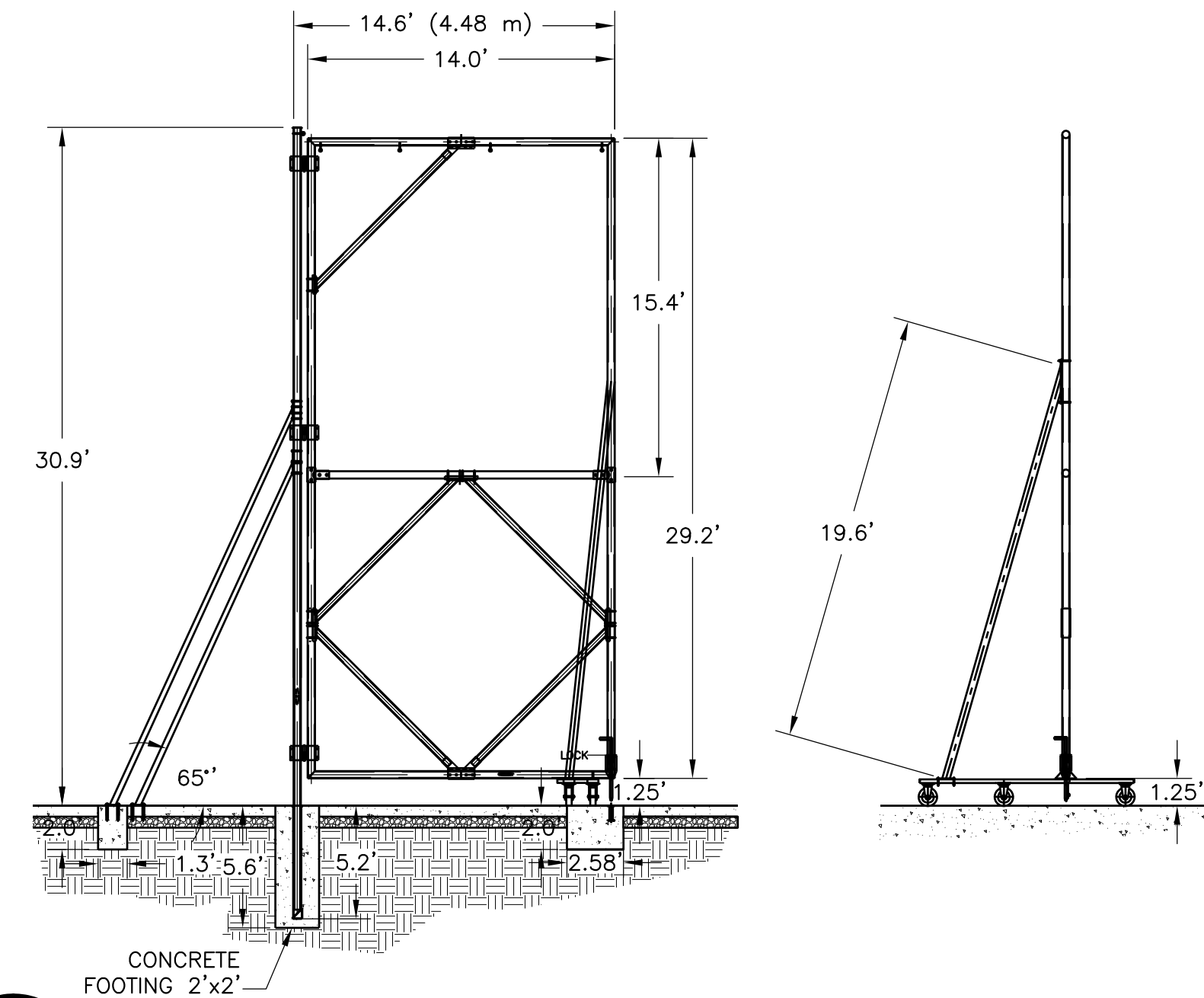
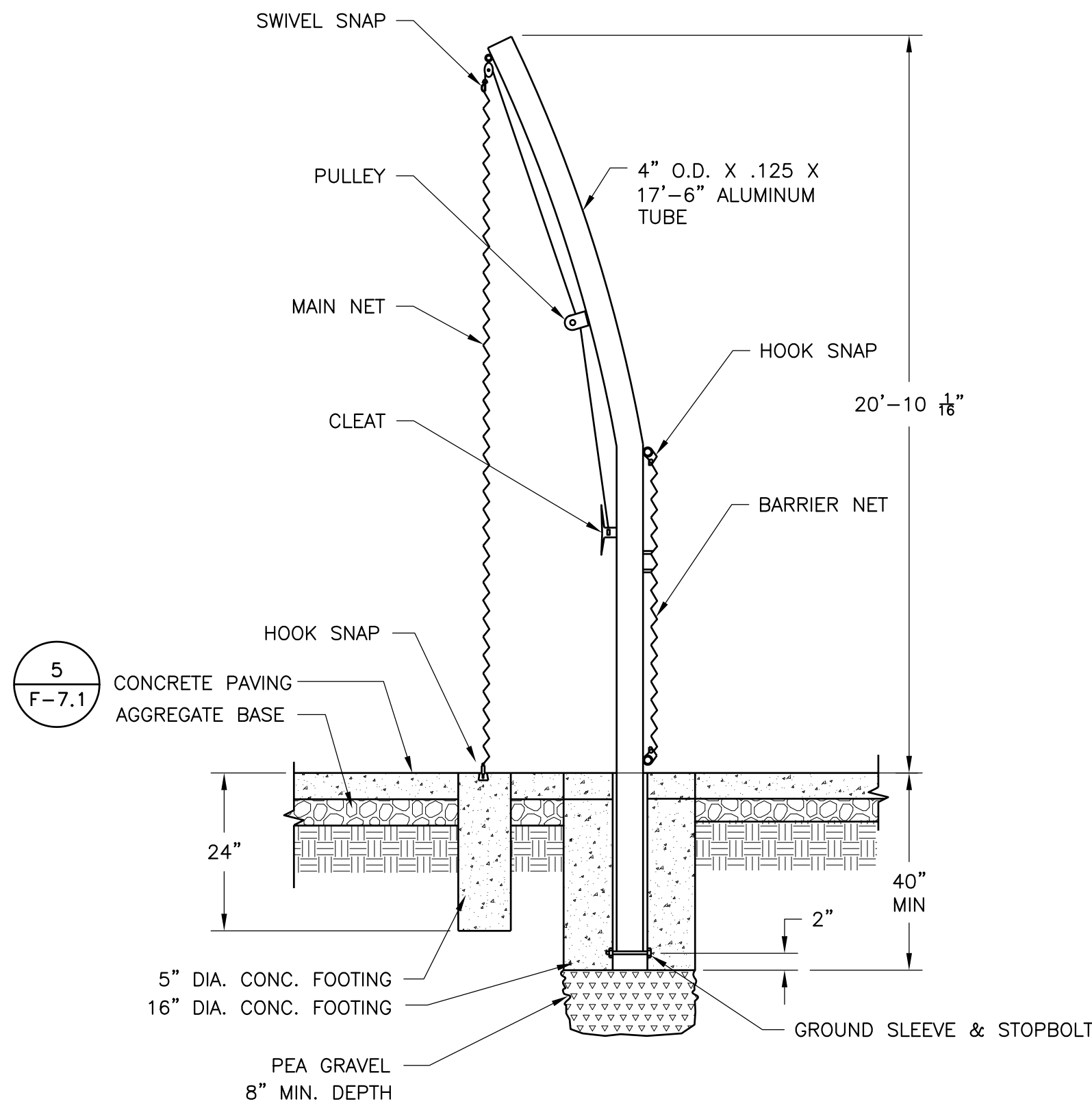


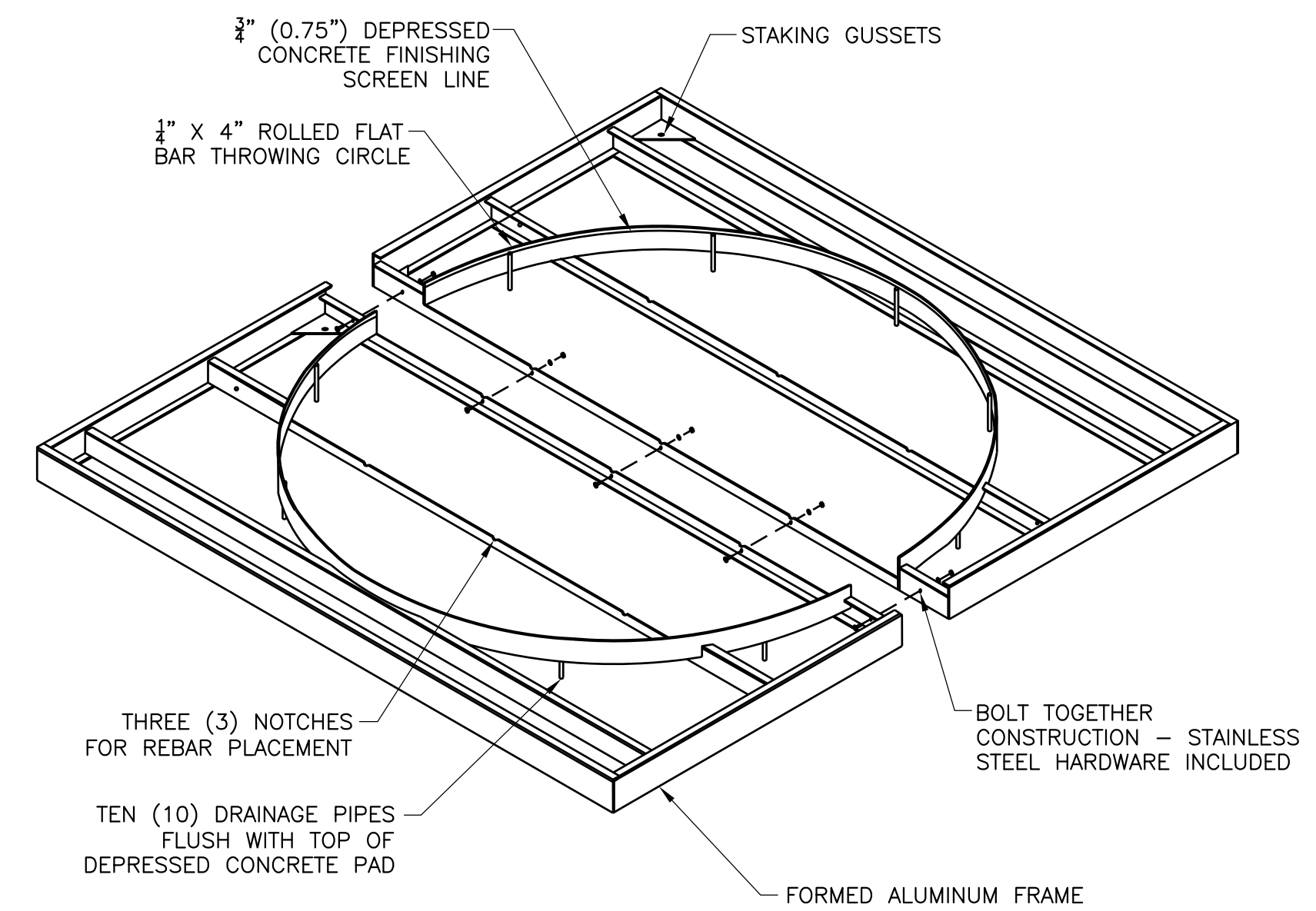
1 DISCUS & HAMMER CAGE PAD & CAGE
F-7.15 NOT TO SCALE



3 DISCUS-HAMMER ROLLING GATE
F-7.15 NOT TO SCALE



2 DISCUS CAGE UPRIGHT
F-7.15 NOT TO SCALE



4 THROW FORM SYSTEM (F.O.I.C.)
F-7.15 NOT TO SCALE



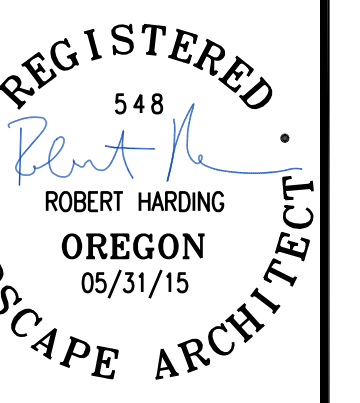
www.AuslandGroup.com
Ashland 541.482.0923
Eugene 541.345.1094
Grants Pass 541.476.3788
Medford 541.773.3387



Drawn By:	CPW, JS	Director Decision Date:	N/A
Designed By:	EUG	First Submittal Date:	07-07-2015
Checked By:	EUG, RSH	Second Submittal Date:	
Approved:		City Approval Date:	
Rev 1	By:	By:	
Rev 2	By:	By:	
Rev 3	By:	By:	
As-Built			

OREGON TECH TRACK AND SOCCER PROJECT
CONSTRUCTION DOCUMENTS
MAP NO. 38-09-00, TAX LOT 4900
3201 CAMPUS DRIVE, KLAMATH FALLS, OREGON
CITY PROJECT NO. OIT-270-P-13-17

VERIFY SCALES
ORIGINAL DRAWING: BAR IS ONE INCH ON
IF NOT ONE INCH ON THIS SHEET, ADJUST SCALES ACCORDINGLY



SHEET
F-7.15
FIELD EVENT DETAILS

Drawing Name: K:\Files\Current Project Files\Oregon\Institute of Technology\Drawings\F-7.15 Field Event Details.dwg
Plot Date: Jun 03, 2015, 10:52am