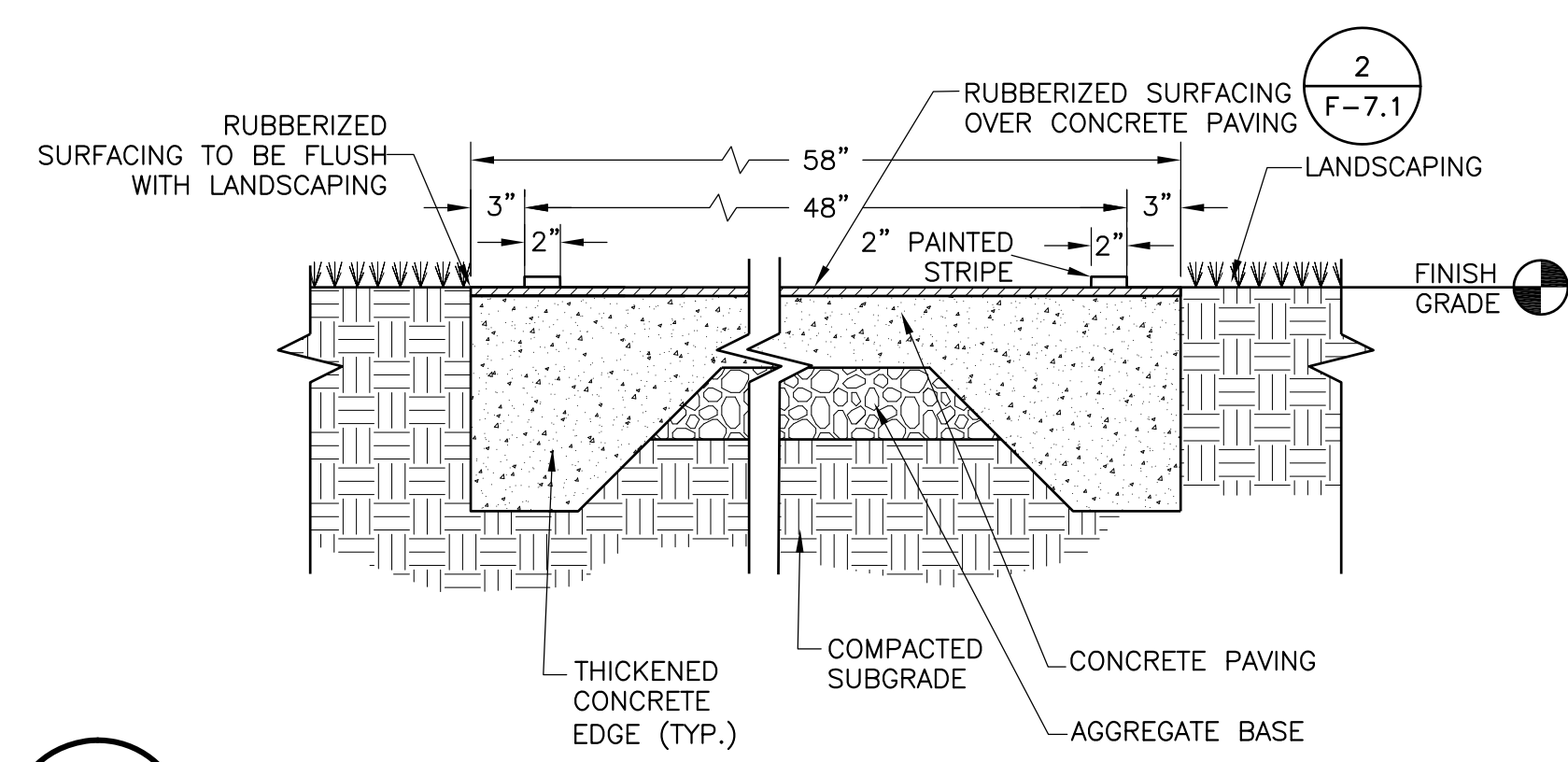
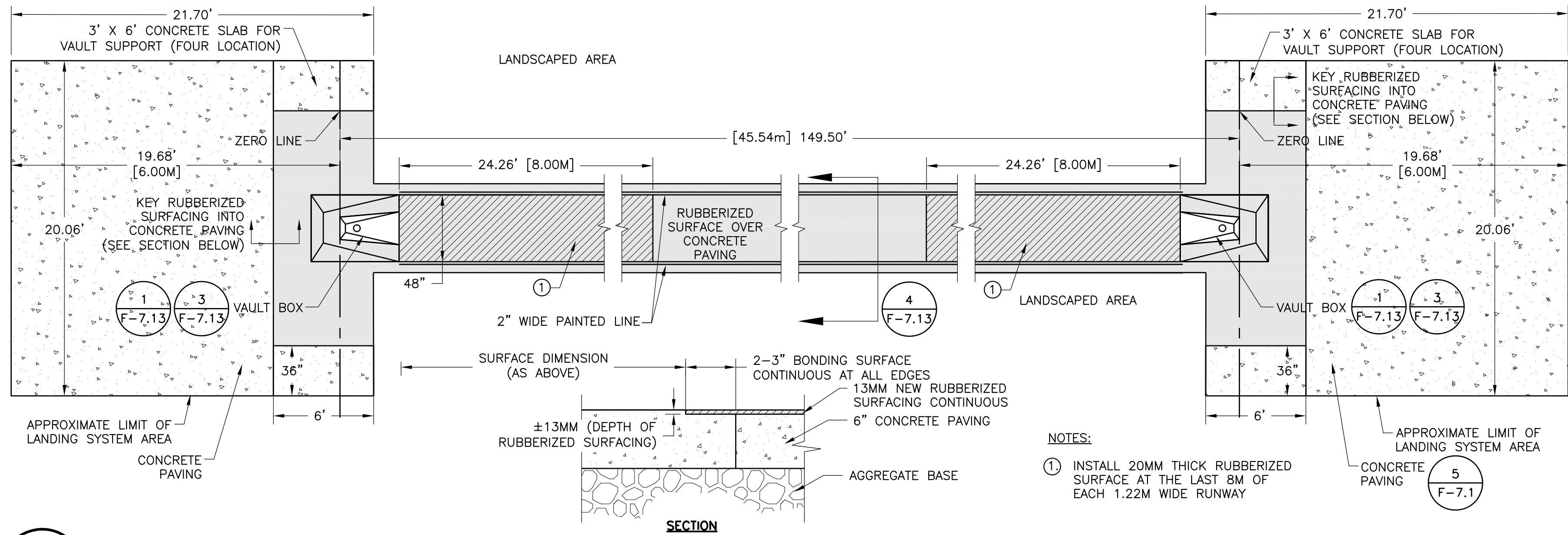


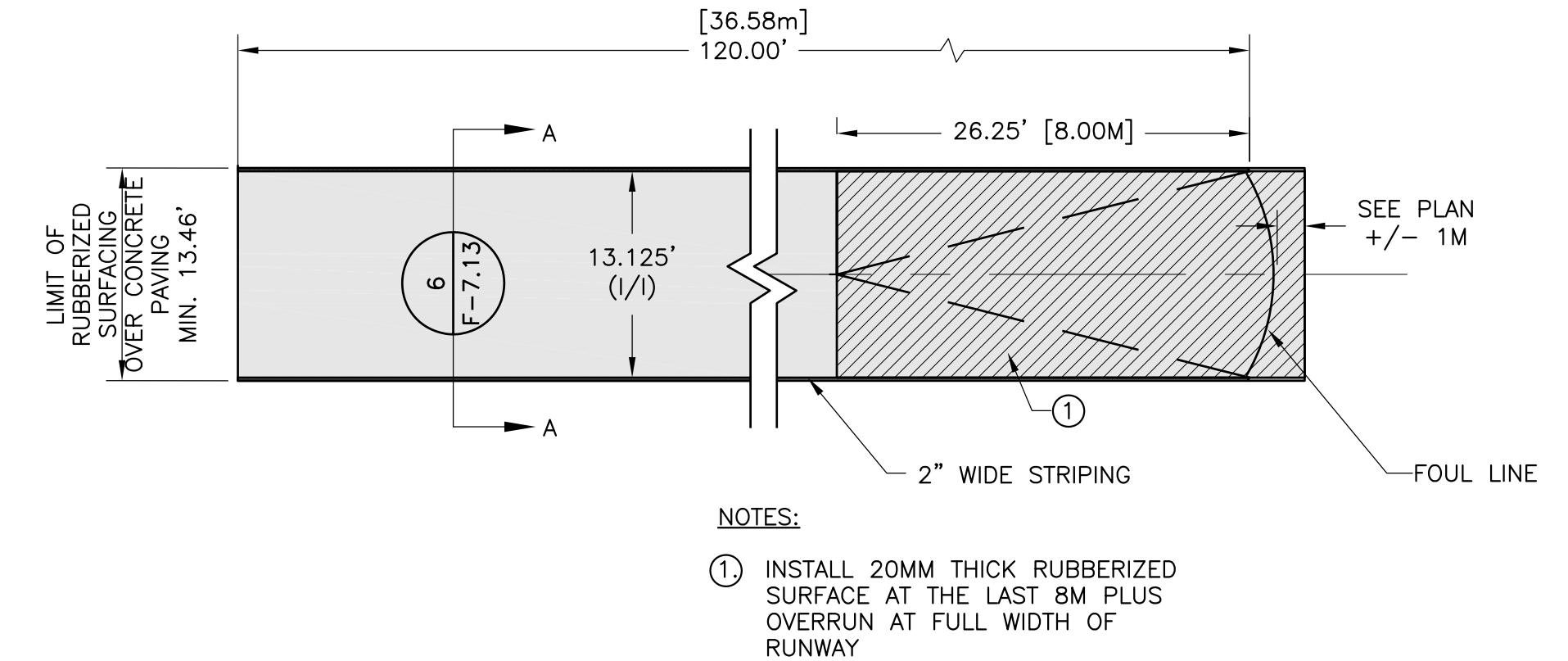
1 POLE VAULT BOX-PLAN VIEW
F-7.13 NOT TO SCALE



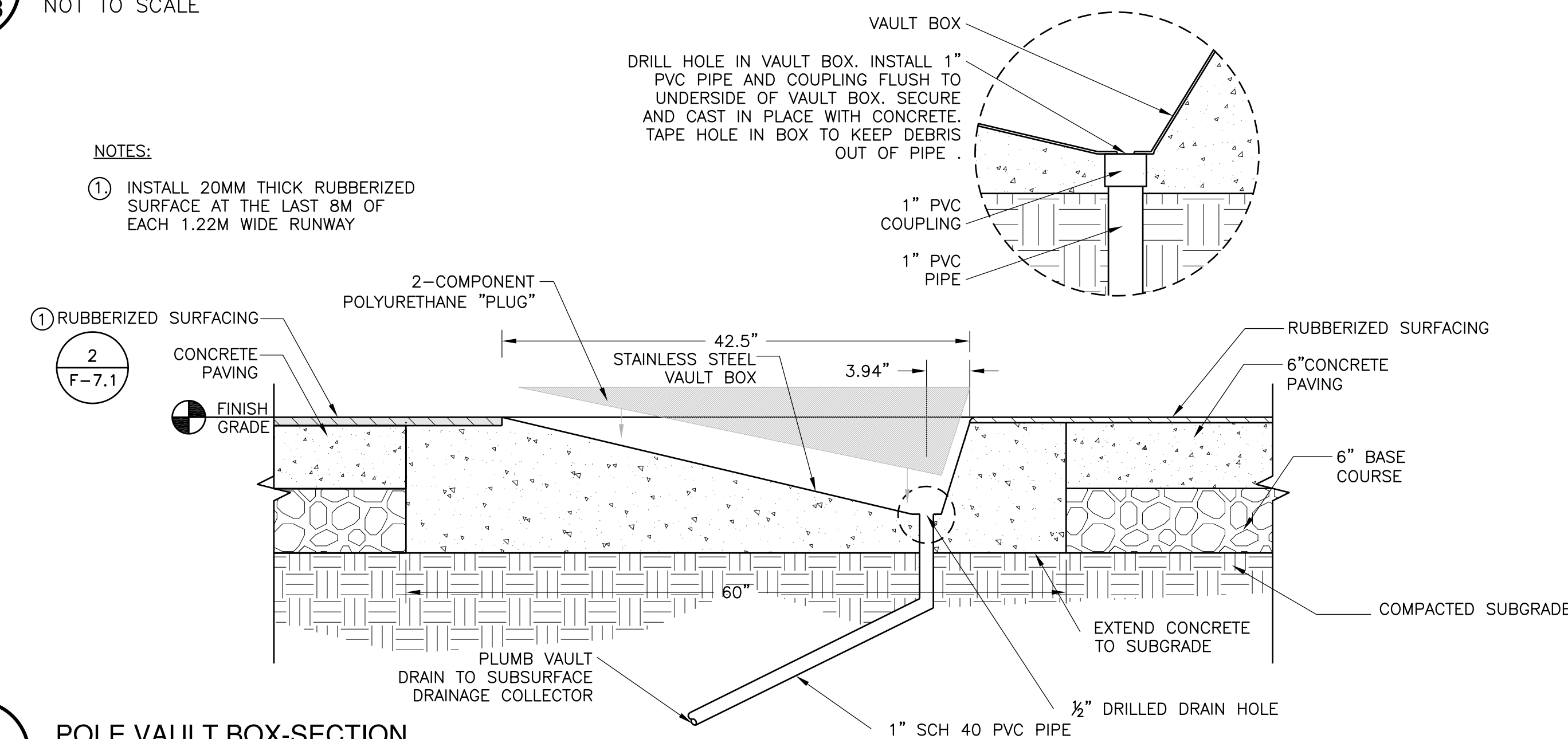
4 POLE VAULT RUNWAY
F-7.13 NOT TO SCALE



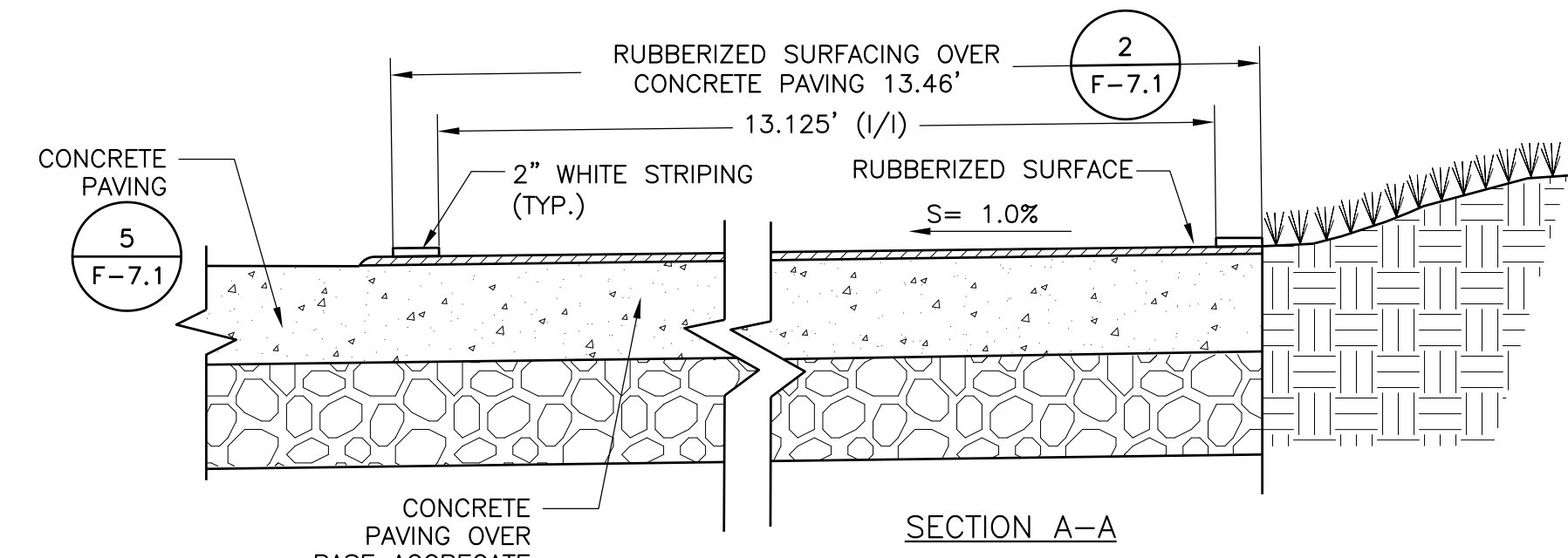
2 POLE VAULT-PLAN VIEW
F-7.13 NOT TO SCALE



5 JAVELIN RUNWAY-PLANVIEW
F-7.13 NOT TO SCALE



3 POLE VAULT BOX-SECTION
F-7.13 NOT TO SCALE



6 JAVELIN RUNWAY SECTION
F-7.13 NOT TO SCALE



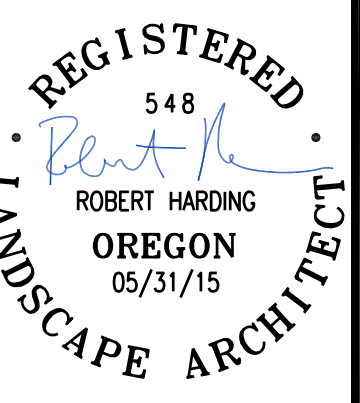
www.AuslandGroup.com
Ashland 541.482.0923
Eugene 541.345.1094
Grants Pass 541.476.3788
Medford 541.773.3387



Drawn By:	CPW, JS	Director/Decision Date:	N/A
Designed By:	EIG	First Submittal Date:	07-07-2015
Checked By:	EIG, RSH	Second Submittal Date:	07-26-2015
Approved:		City Approval Date:	
Rev 1		By:	
Rev 2		By:	
Rev 3		By:	
As-Built			

OREGON TECH TRACK AND SOCCER PROJECT
CONSTRUCTION DOCUMENTS
MAP NO. 38-09-00, TAX LOT 4900
3201 CAMPUS DRIVE, KLAMATH FALLS, OREGON
CITY PROJECT NO. OIT-270-P-13-17

VERIFY SCALES
ORIGINAL DRAWING
BARS ONE INCH ON
IF NOT ONE INCH ON THIS SHEET, ADJUST SCALES ACCORDINGLY



SHEET
F-7.13
FIELD EVENT DETAILS