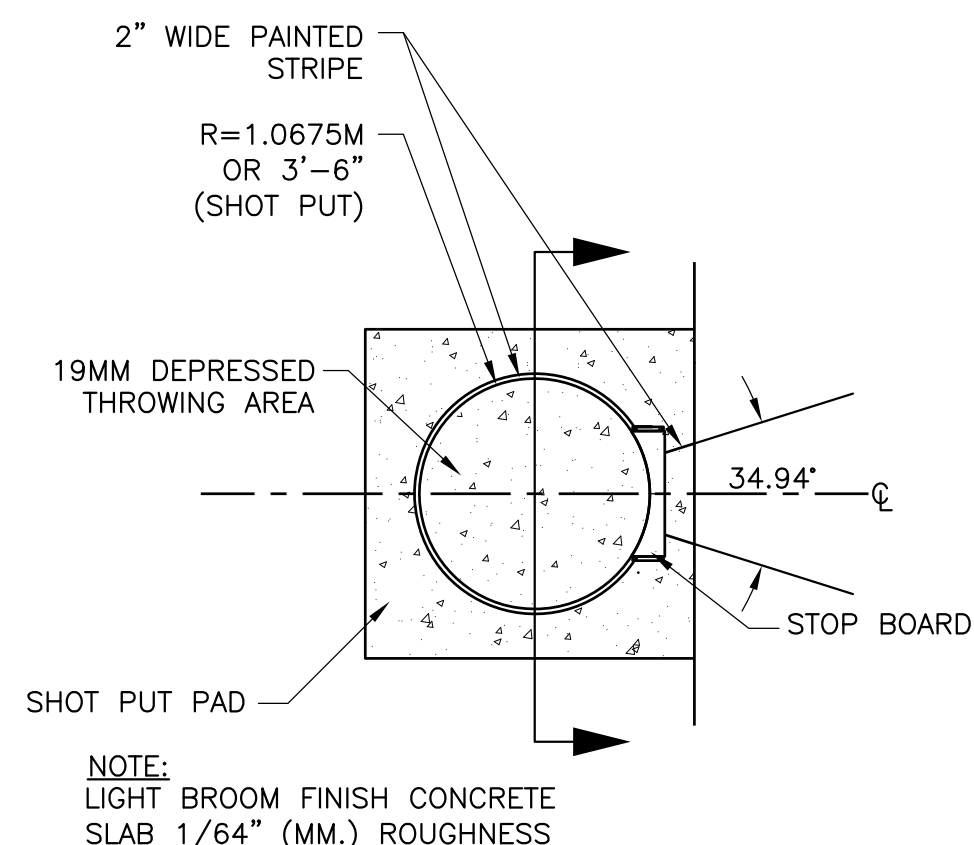
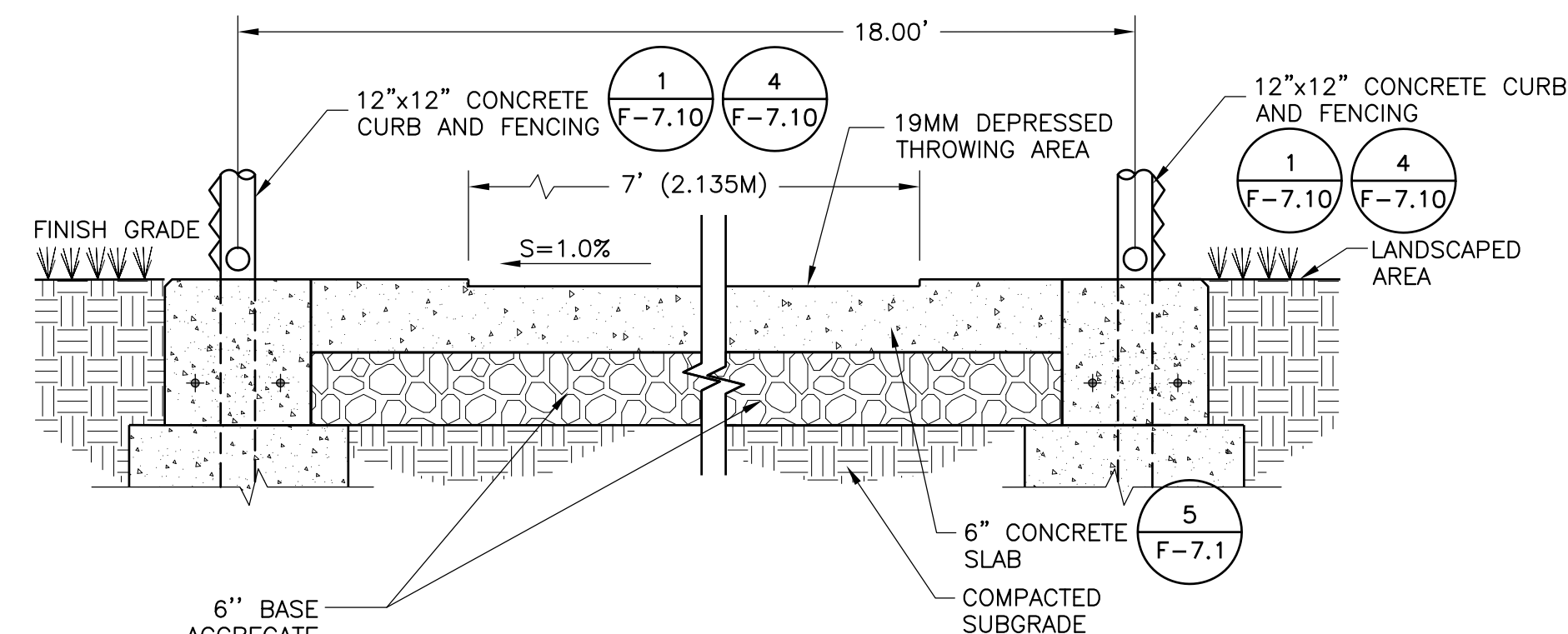
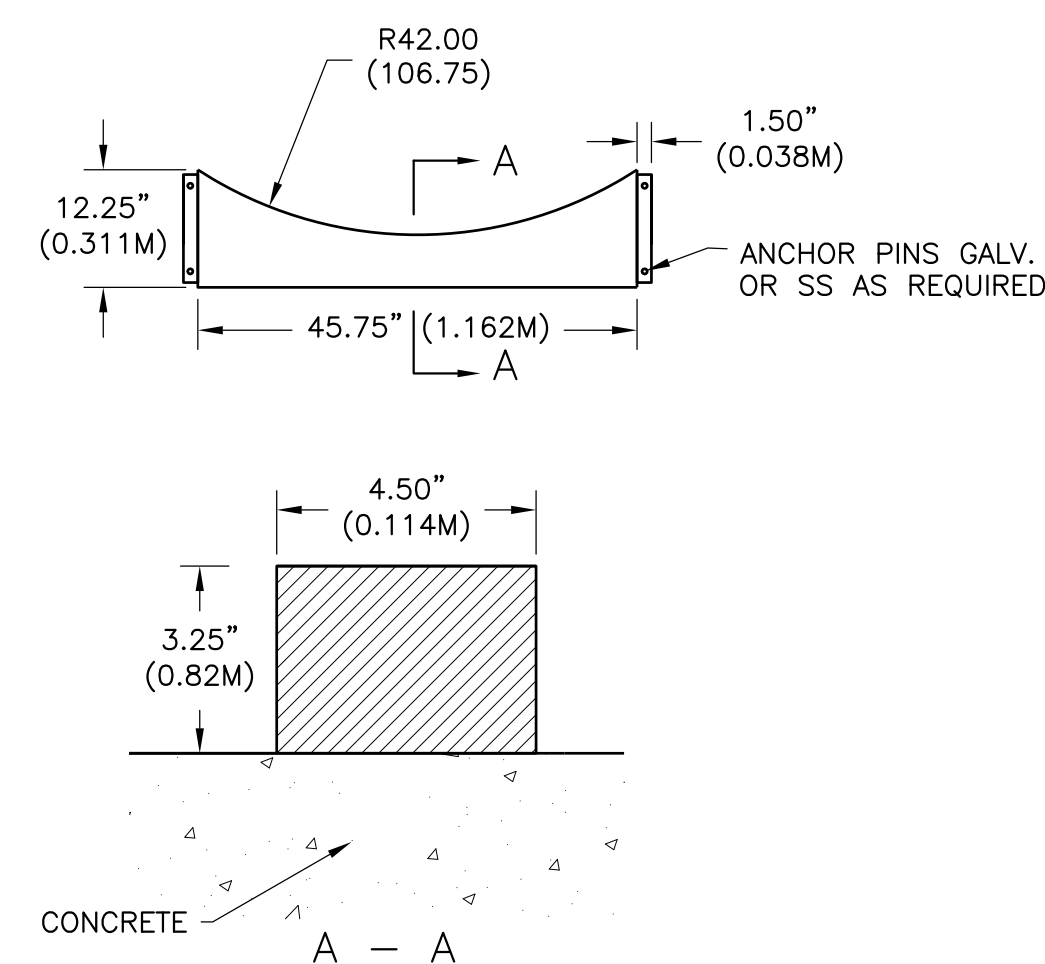


**1** SHOT PUT - PLAN VIEW  
F-7.11 NOT TO SCALE



**3** SHOT PUT PAD-TOE BOARD  
F-7.11 NOT TO SCALE



**2** SHOT PUT PAD SECTION  
F-7.11 NOT TO SCALE



www.AuslandGroup.com  
Ashland 541.482.0923  
Eugene 541.345.1094  
Grants Pass 541.476.3788  
Medford 541.773.3387



Director Decision Date:	N/A
Drawn By:	CPW, JS
Designed By:	EJG
Checked By:	EJG, RSH
Approved:	Rev 1 Rev 2 Rev 3
City Approval Date:	
By:	
By:	
By:	
As-Built	

OREGON TECH TRACK AND SOCCER PROJECT  
CONSTRUCTION DOCUMENTS  
MAP NO. 38-09-00, TAX LOT 4900  
3201 CAMPUS DRIVE, KLAMATH FALLS, OREGON  
CITY PROJECT NO. OIT-270-P-13-17

VERIFY SCALES  
ORIGINAL DRAWING  
BAR IS ONE INCH ON  
IF NOT ONE INCH ON THIS SHEET, ADJUST SCALES ACCORDINGLY

REGISTERED  
548  
Robert Harding  
ROBERT HARDING  
OREGON  
05/31/15  
LANDSCAPE ARCHITECT

SHEET  
**F-7.11**  
FIELD EVENT DETAILS

Drawing name: K:\Files\Current Project Files\Oregon\Institute of Technology\Drawings\F-7.11 Field Event Details.dwg  
Plot Date: Jun 02, 2015 12:24pm