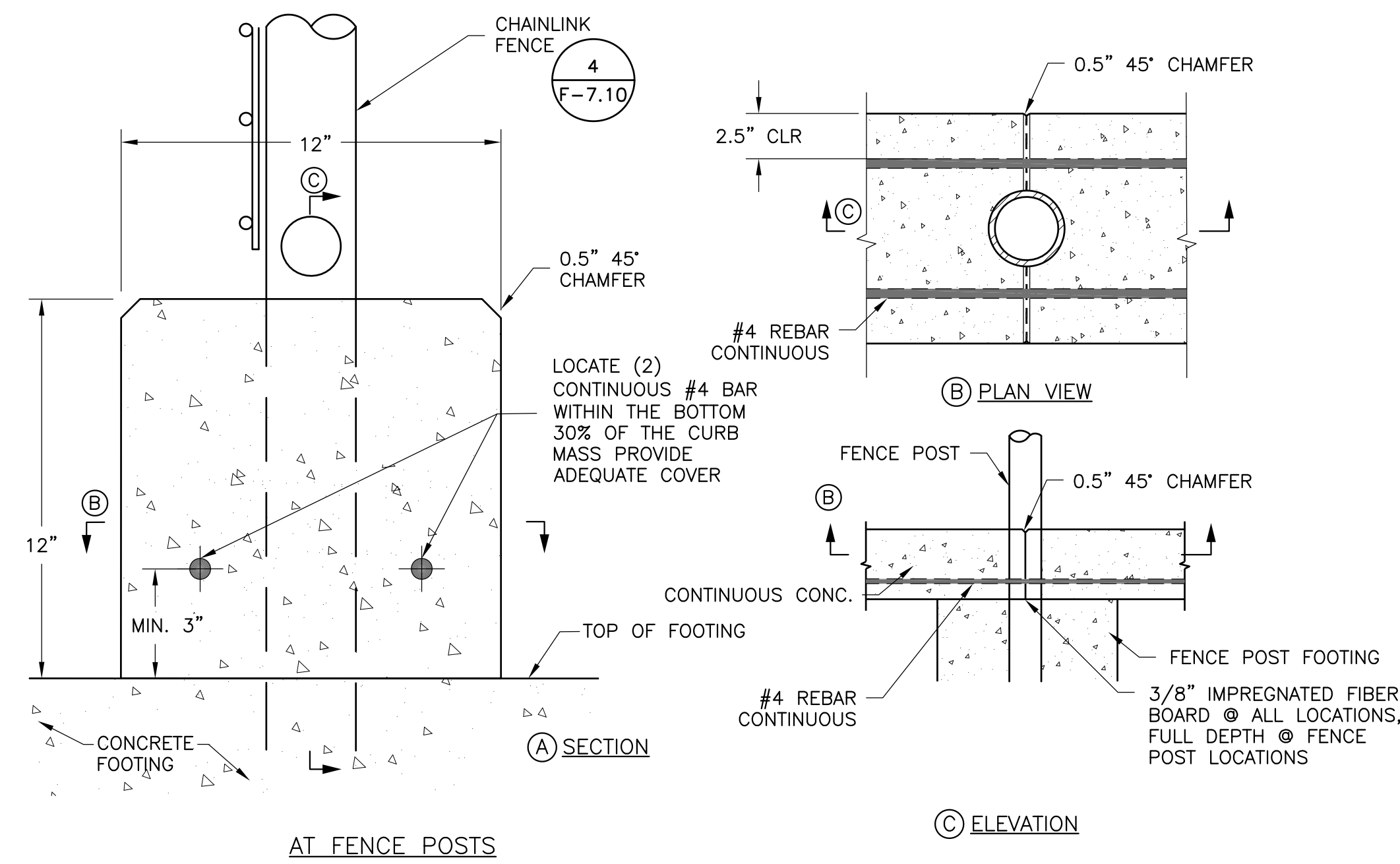
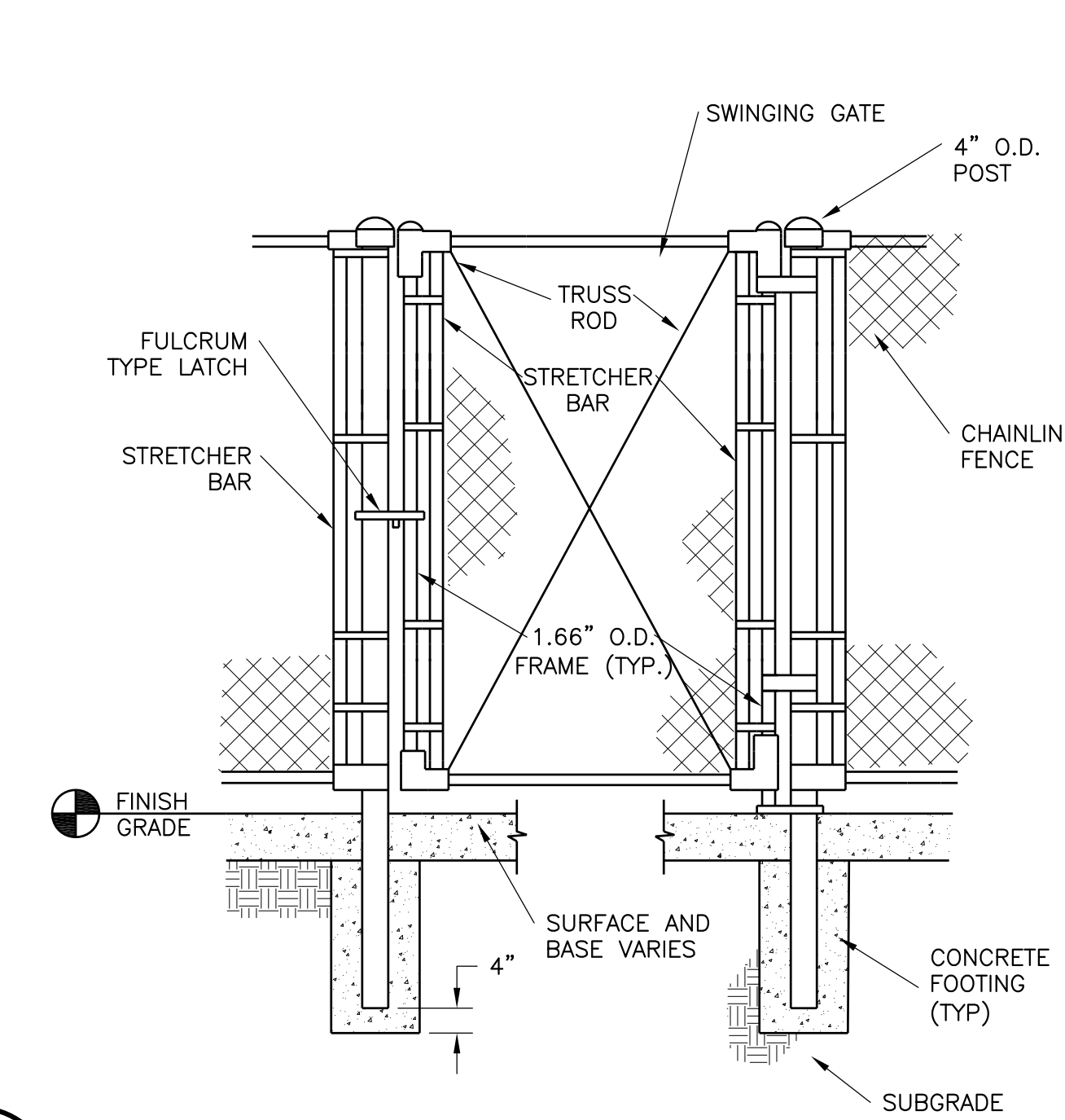
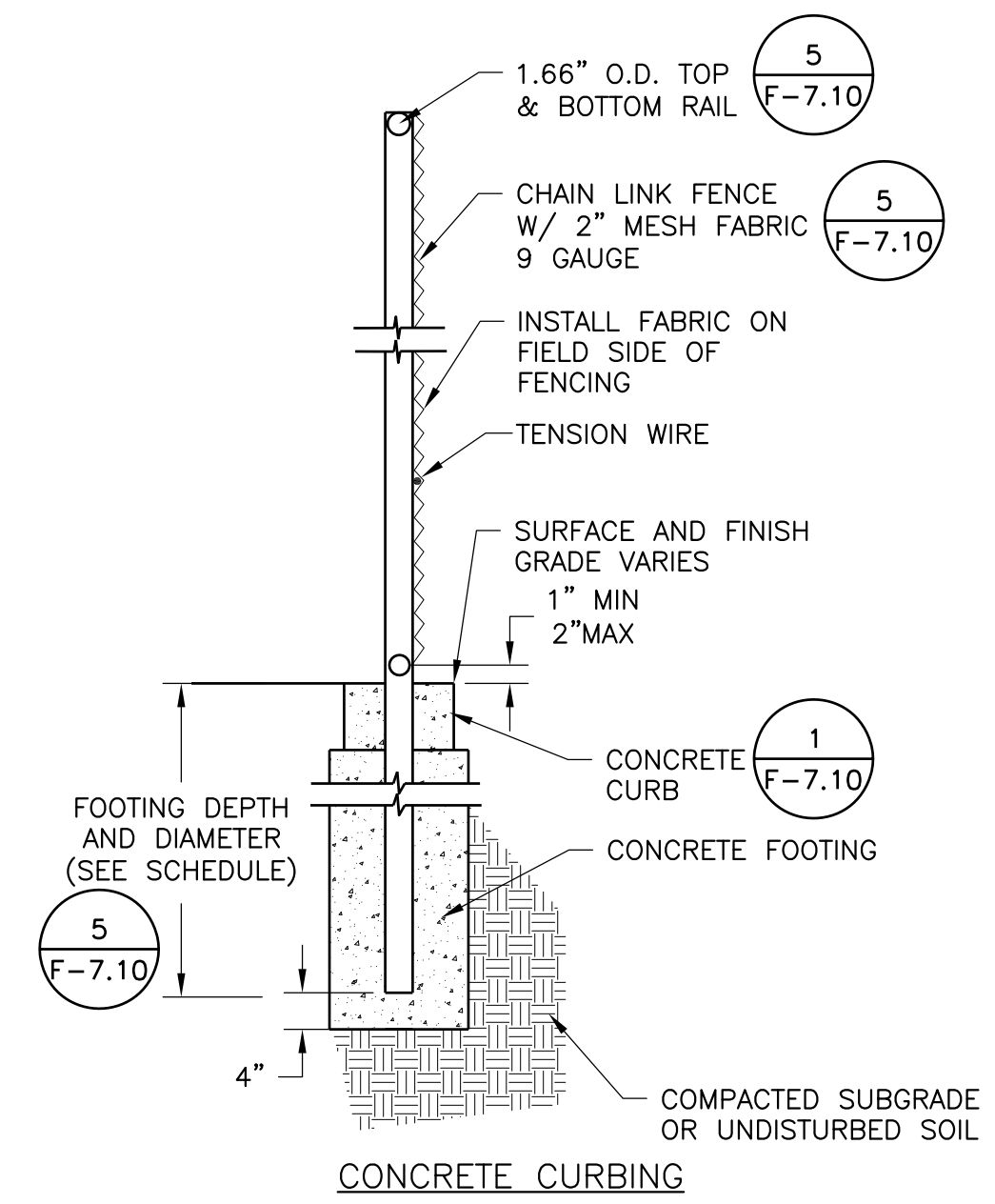


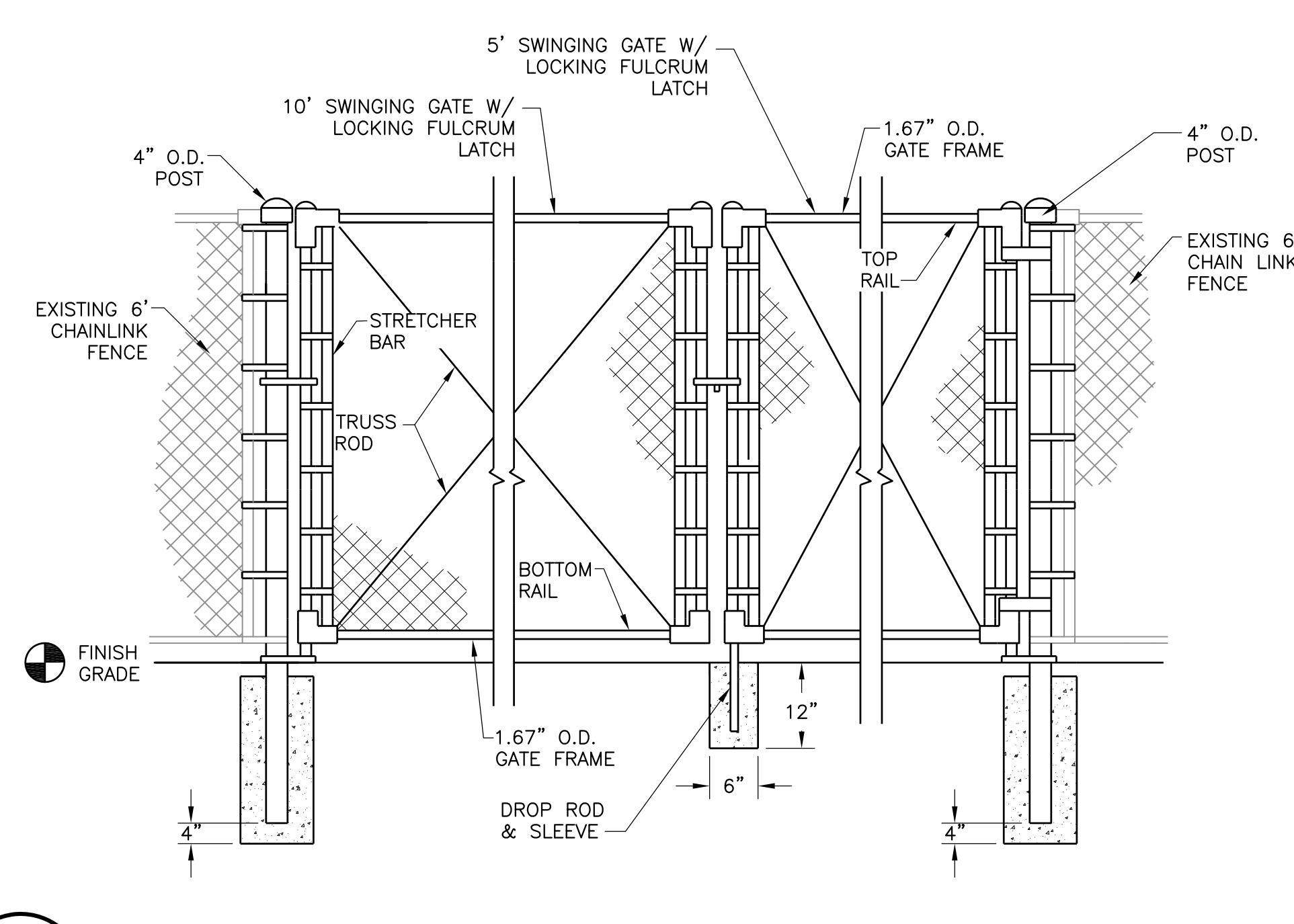
1 CONCRETE CURB & EXPANSION JOINT
F-7.10 NOT TO SCALE



4 CHAINLINK FENCE
F-7.10 NOT TO SCALE



2 SINGLE SWING GATE
F-7.10 NOT TO SCALE



3 DOUBLE SWING GATE
F-7.10 NOT TO SCALE

FENCING TYPE	8' HIGH FENCING	6' HIGH FENCING
CORNER POST	4.000" OD	2.875" OD
TERMINAL POST	4.000" OD	2.875" OD
LINE POST	2.875" OD	2.375" OD
FOOTING DEPTH	42"	36"
FOOTING DIAMETER	12"	12"
TOP RAIL HT.	8'	6'
INTERMEDIATE RAIL HTS.	---	---
BOTTOM RAIL HT	1"	1"
TENSION WIRE HTS.	4'	3'

- FENCING NOTES:**
- ALL FENCING FABRIC SHALL BE NO. 9 GAUGE FINISHED STEEL WIRES WITH BLACK VINYL COATING EXCEPT FOR DESIGNATED SECTIONS OF THE BACKSTOP FENCING WHICH SHALL INCLUDE NO. 6 GAUGE FINISHED STEEL WIRES WITH BLACK VINYL COATING.
 - ALL POSTS, RAILS, BRACES, POST TOPS, STRETCHER BARS, BANDS, ETC. SHALL BE PAINTED BLACK.
 - TENSION WIRES AND WIRE TIES SHALL INCLUDE A BLACK VINYL COATING.
 - MAXIMUM POST SPACING: 10' ON CENTER.

5 CHAINLINK FENCING AND SCHEDULE
F-7.10 NOT TO SCALE

AUSLAND GROUP
www.AuslandGroup.com
Ashland 541.482.0923
Eugene 541.345.1094
Grants Pass 541.476.3788
Medford 541.773.3387

DA HOGAN
139 1st Avenue South, Suite 110
Seaside, Washington 98138
P: 206.265.0500
F: 206.265.0480

Drawn By:	CPW, JS	Director Decision Date:	N/A
Designed By:	EJG	First Submittal Date:	01/07/2015
Checked By:	EJG, RSH	Second Submittal Date:	
Approved:		City Approval Date:	
Rev 1:		By:	
Rev 2:		By:	
Rev 3:		By:	
As-Built			

OREGON TECH TRACK AND SOCCER PROJECT
CONSTRUCTION DOCUMENTS
MAP NO. 38-09-00, TAX LOT 4900
3201 CAMPUS DRIVE, KLAMATH FALLS, OREGON
CITY PROJECT NO. OIT-2704-P-13-17

VERIFY SCALES
ORIGINAL DRAWING
BAR IS ONE INCH ON
IF NOT ONE INCH ON THIS SHEET, ADJUST SCALES ACCORDINGLY

REGISTERED LANDSCAPE ARCHITECT
548
ROBERT HARDING
OREGON
05/31/15

SHEET
F-7.10
SITE DETAILS