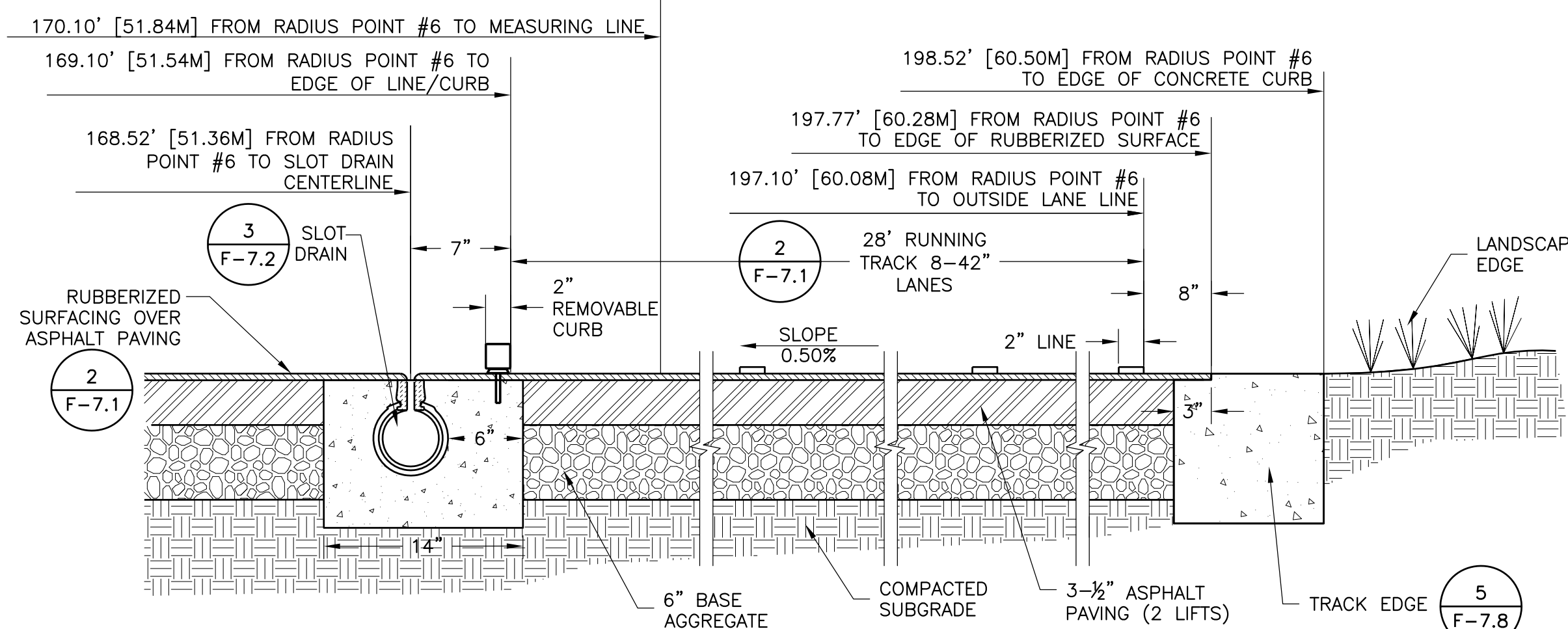
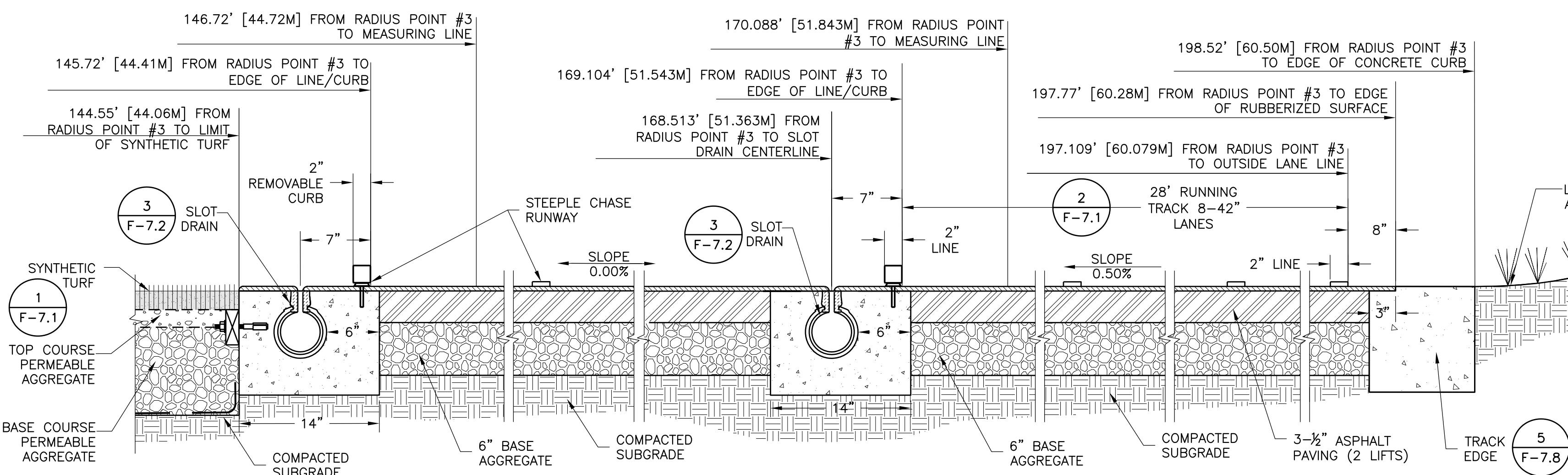


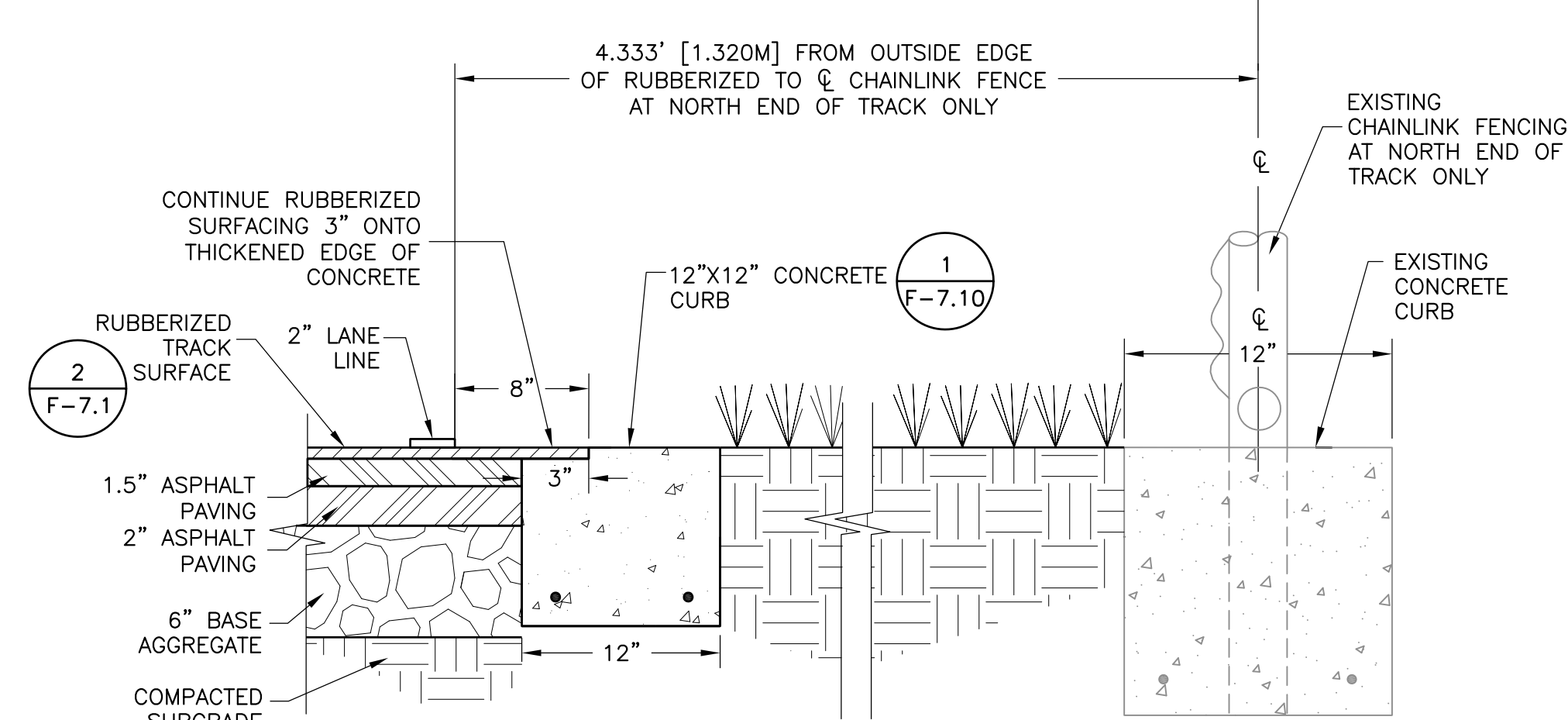
1 TRACK SECTION NORTH  
 F-7.8 NOT TO SCALE



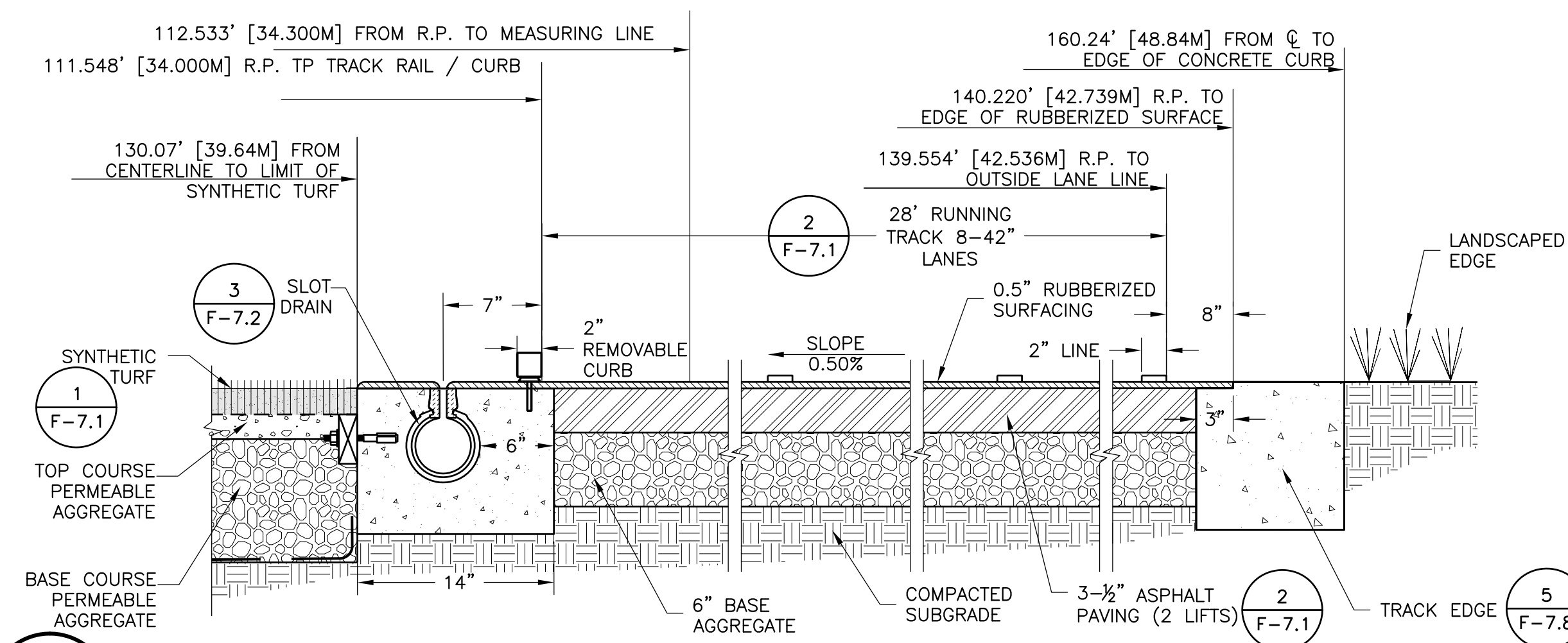
4 TRACK SECTION WEST  
 F-7.8 NOT TO SCALE



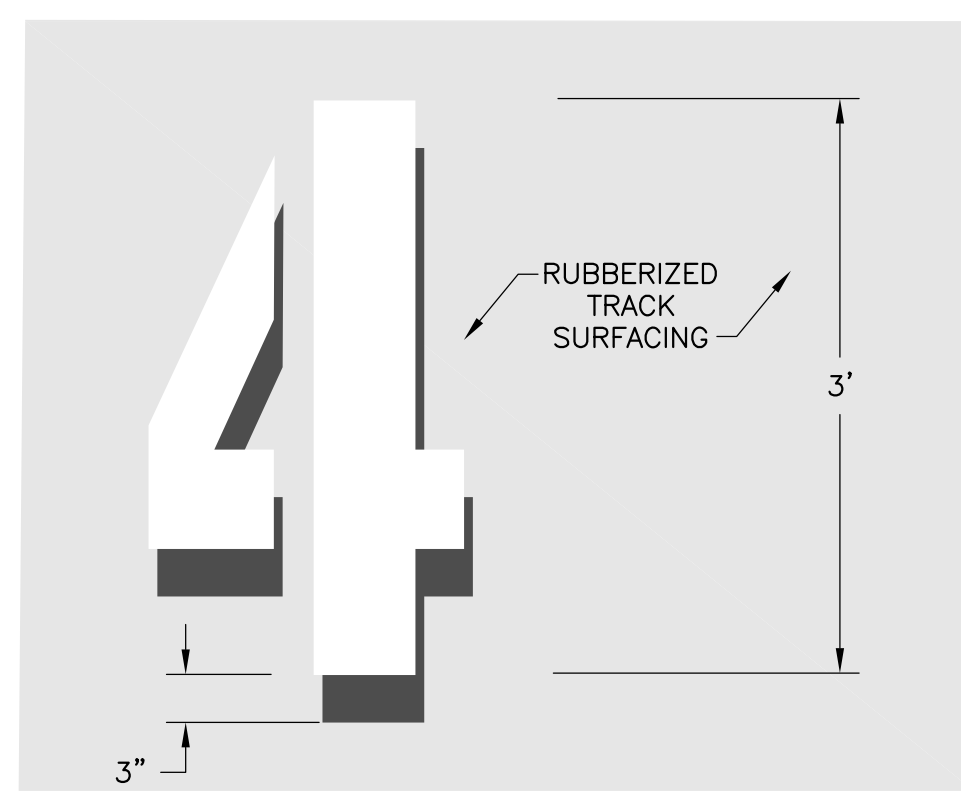
2 TRACK SECTION EAST  
 F-7.8 NOT TO SCALE



5 RUBBERIZED SURFACE EDGE  
 F-7.8 NOT TO SCALE



3 TRACK SECTION SOUTH  
 F-7.8 NOT TO SCALE



6 TYPICAL TRACK NUMBER  
 F-7.8 NOT TO SCALE

- NOTE:
1. CENTER NUMBER IN LANE
  2. SUBMIT STENCIL EXAMPLE TO ENGINEER FOR APPROVAL BEFORE APPLICATION

**AUSLAND GROUP**  
 www.AuslandGroup.com  
 Ashland 541.482.0923  
 Eugene 541.345.1094  
 Grants Pass 541.476.3788  
 Medford 541.773.3387

**DA HOGAN**  
 139 1st Avenue South, Suite 100  
 Seattle, Washington 98104  
 P: 206.285.0000  
 F: 206.285.0400

Drawn By:	CPW, JS	Director Decision Date:	N/A
Designed By:	EUG	First Submittal Date:	01-07-2015
Checked By:	EUG, RSH	Second Submittal Date:	01-27-2015
Approved:		City Approval Date:	
Rev 1:		By:	
Rev 2:		By:	
Rev 3:		By:	
As-Built			

**OREGON TECH TRACK AND SOCCER PROJECT**  
 CONSTRUCTION DOCUMENTS  
 MAP NO. 38-09-00, TAX LOT 4900  
 3201 CAMPUS DRIVE, KLAMATH FALLS, OREGON  
 CITY PROJECT NO. OIT-2704-P-13-17

VERIFY SCALES  
 ORIGINAL DRAWING  
 BAR IS ONE INCH ON  
 IF NOT ONE INCH ON THIS SHEET, ADJUST SCALES ACCORDINGLY

**REGISTERED LANDSCAPE ARCHITECT**  
 548  
 Robert Harding  
 OREGON  
 05/31/15

SHEET  
**F-7.8**  
 TRACK DETAILS

Drawing name: K:\Files\Current Project Files\Oregon\Institute of Technology\Drawings\F-7.8 Track Details.dwg  
 Plot Date: Jun 27, 2015 - 4:03pm