



www.AuslandGroup.com
 Ashland 541.482.0923
 Eugene 541.345.1094
 Grants Pass 541.476.3788
 Medford 541.773.3387



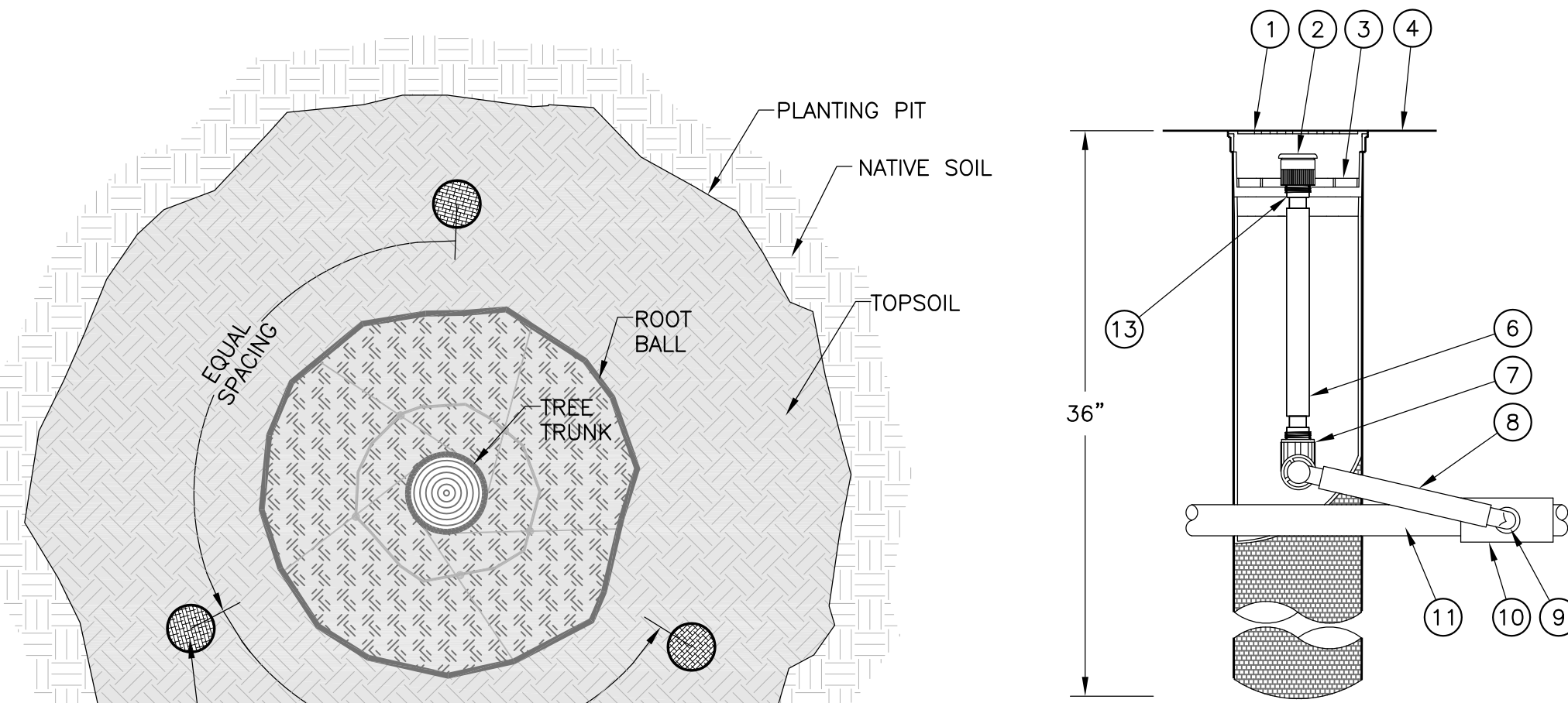
Drawn By:	CPW, JS	Director Decision Date:	N/A
Designed By:	EIG	First Submittal Date:	07-09-2015
Checked By:	EIG, RSH	Second Submittal Date:	07-28-2015
Approved:		City Approval Date:	
Rev 1		By:	
Rev 2		By:	
Rev 3		By:	
As-Built			

OREGON TECH TRACK AND SOCCER PROJECT
 CONSTRUCTION DOCUMENTS
 MAP NO. 38-09-00, TAX LOT 4900
 3201 CAMPUS DRIVE, KLAMATH FALLS, OREGON
 CITY PROJECT NO. OIT-270-P-13-17

VERIFY SCALES
 ORIGINAL DRAWING: 1" = 1'-0"
 IF NOT ONE INCH ON THIS SHEET, ADJUST SCALES ACCORDINGLY.

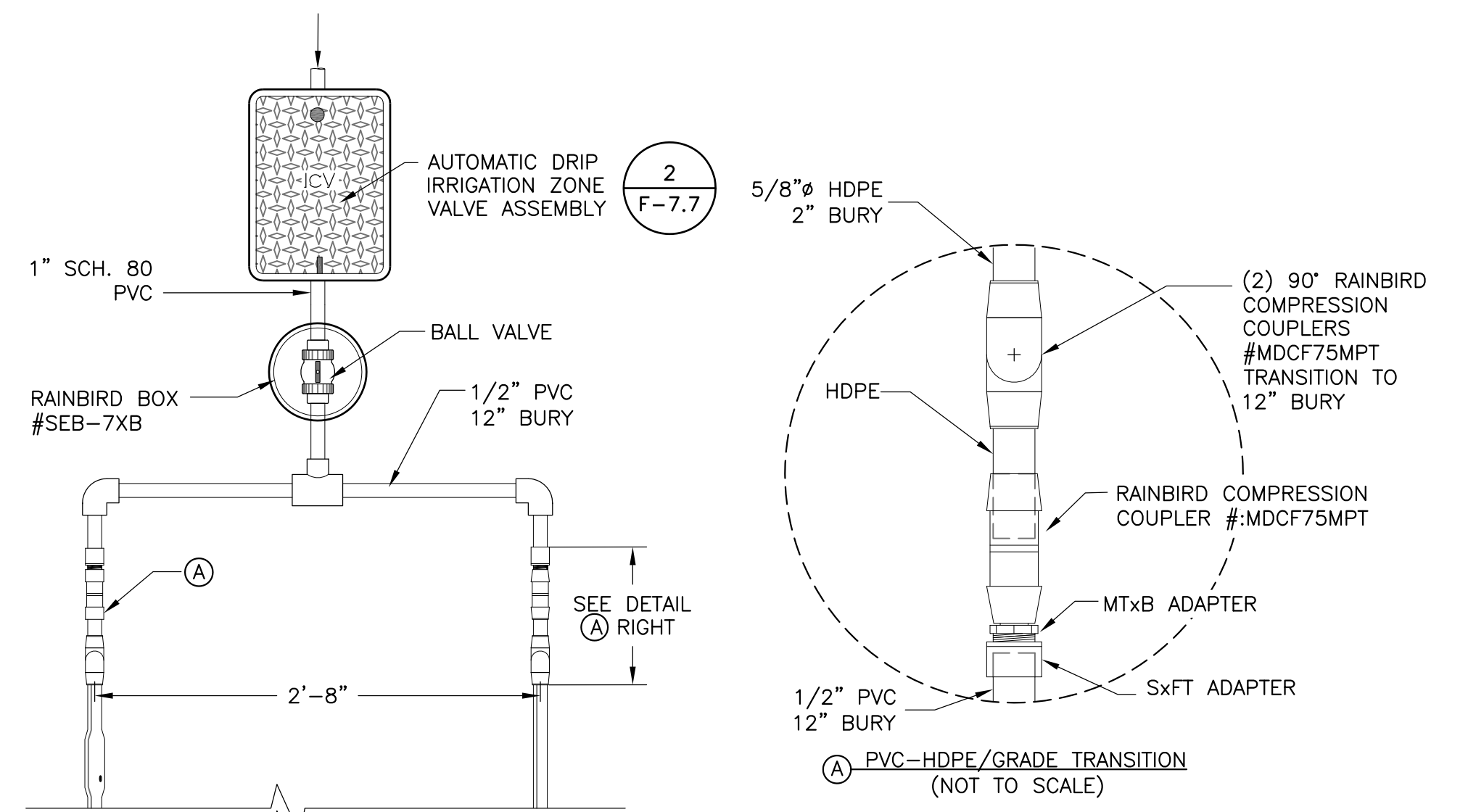
REGISTERED LANDSCAPE ARCHITECT
 548
 Robert Harding
 OREGON
 05/31/15

SHEET
F-7.7
 IRRIGATION & WASHWATER DETAILS

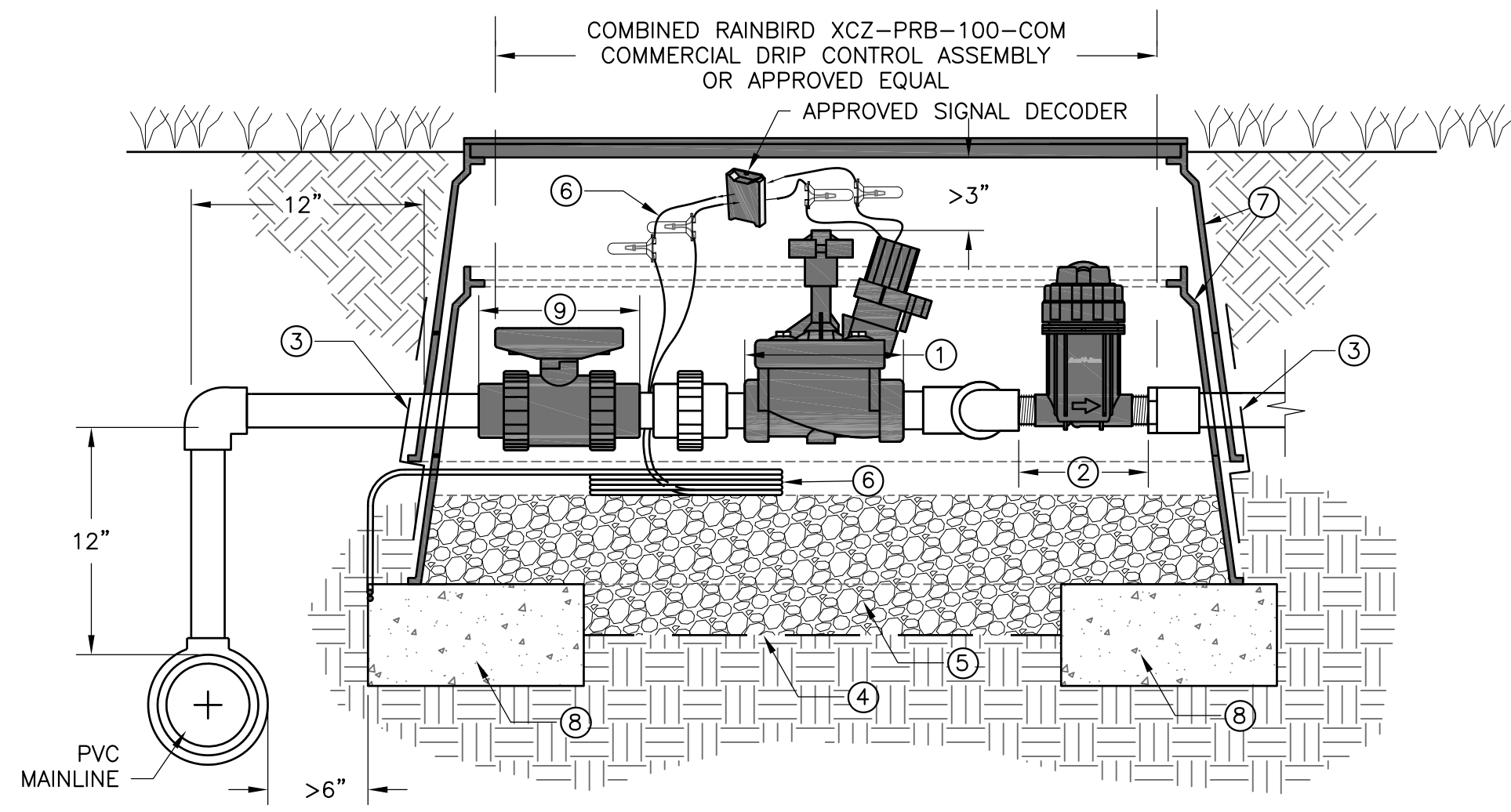


- ① 4-INCH LOCKING GRATE (INCLUDED)
- ② BUBBLER: RAIN BIRD 1401 0.25 GPM (INCLUDED)
- ③ ROOT WATERING SYSTEM: RAIN BIRD RWS-B-1401 (INCLUDES 1401 0.25 GPM BUBBLER WITH RISER, GRATE, SWING ASSEMBLY, 1/2" MALE NPT INLET, AND BASKET CANISTER)
- ④ FINISH GRADE/TOP OF MULCH
- ⑤ (NOT USED)
- ⑥ 1/2-INCH POLY SWING PIPE (INCLUDED)
- ⑦ 1/2-INCH SPIRAL BARB ELBOW (INCLUDED)
- ⑧ 12-INCH SWING ASSEMBLY (INCLUDED)
- ⑨ 1/2-INCH MALE NPT INLET (INCLUDED)
- ⑩ PVC SCH 40 TEE OR EL
- ⑪ SCHEDULE 40 PVC LATERAL PIPE
- ⑫ 4" WIDE X 36" LONG RIGID BASKET WEAVE CANISTER (INCLUDED)
- ⑬ 1/2-INCH STRAIGHT SPIRAL BARB FITTING (1 OF 2, INCLUDED)

NOTES:
 A. 4" GRATE IS ALSO AVAILABLE IN PURPLE (RWS-GRATE-P).
 B. INSTALL PRODUCT SO THAT THE GRATE IS EVEN WITH FINISH GRADE OR TOP OF MULCH.
 C. WHEN INSTALLING IN EXTREMELY HARD OR CLAY SOILS, ADD 3/4" GRAVEL UNDER AND AROUND THE UNIT TO ALLOW FASTER WATER INFILTRATION AND ROOT PENETRATION.
 D. ONCE RWS HAS BEEN INSTALLED FILL THE BASKET WITH PEA GRAVEL BEFORE LOCKING LID.

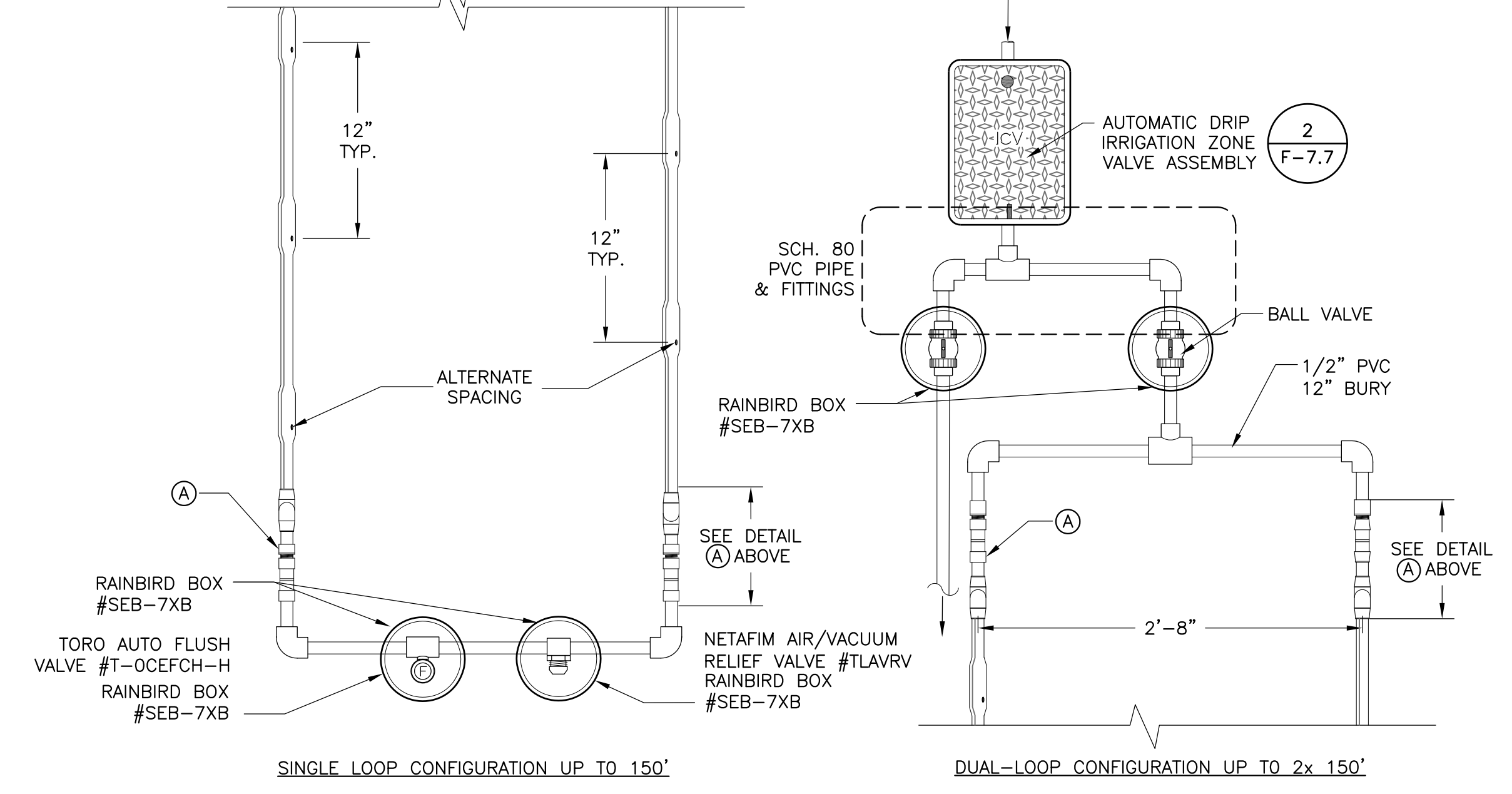


1 ROOT WATERING SYSTEM
 F-7.7 NOT TO SCALE



- NOTES:
- ① AUTOMATIC SOLENOID VALVE
 - ② PRESSURE REDUCING VALVE WITH #200 FILTER SCREEN
 - ③ 30 MIL PVC LINER OR EQUAL; TAPE TO VALVE BOX, CUT MINIMUM OPENING FOR PIPE.
 - ④ 4 OZ/SY NON-WOVEN GEOTEXTILE
 - ⑤ 6" DEPTH 5/8" WASHED PEA GRAVEL
 - ⑥ 36" LOOP EACH WIRERUN
 - ⑦ CARSON OR EQUAL PLASTIC VALVE BOXES, STACKED & SIZED TO MEET CLEARANCES REQUIRED, "TEE" TYPE LID
 - ⑧ PRE-CAST CONCRETE BRICK UNDER EACH CORNER OF THE VALVE BOX
 - ⑨ SPEARS TRUE-UNION PVC BALL VALVE

2 AUTOMATIC CONTROL VALVE - DRIP ZONE
 F-7.7 NOT TO SCALE



3 DRIPLINE
 F-7.7 NOT TO SCALE

Drawing name: K:\Files\Current\Project Files\Oregon\Institute of Technology\Drawings\F-7.7 Irrigation & Washwater Details.dwg
 Plot Date: Jun 28, 2015 - 10:14am