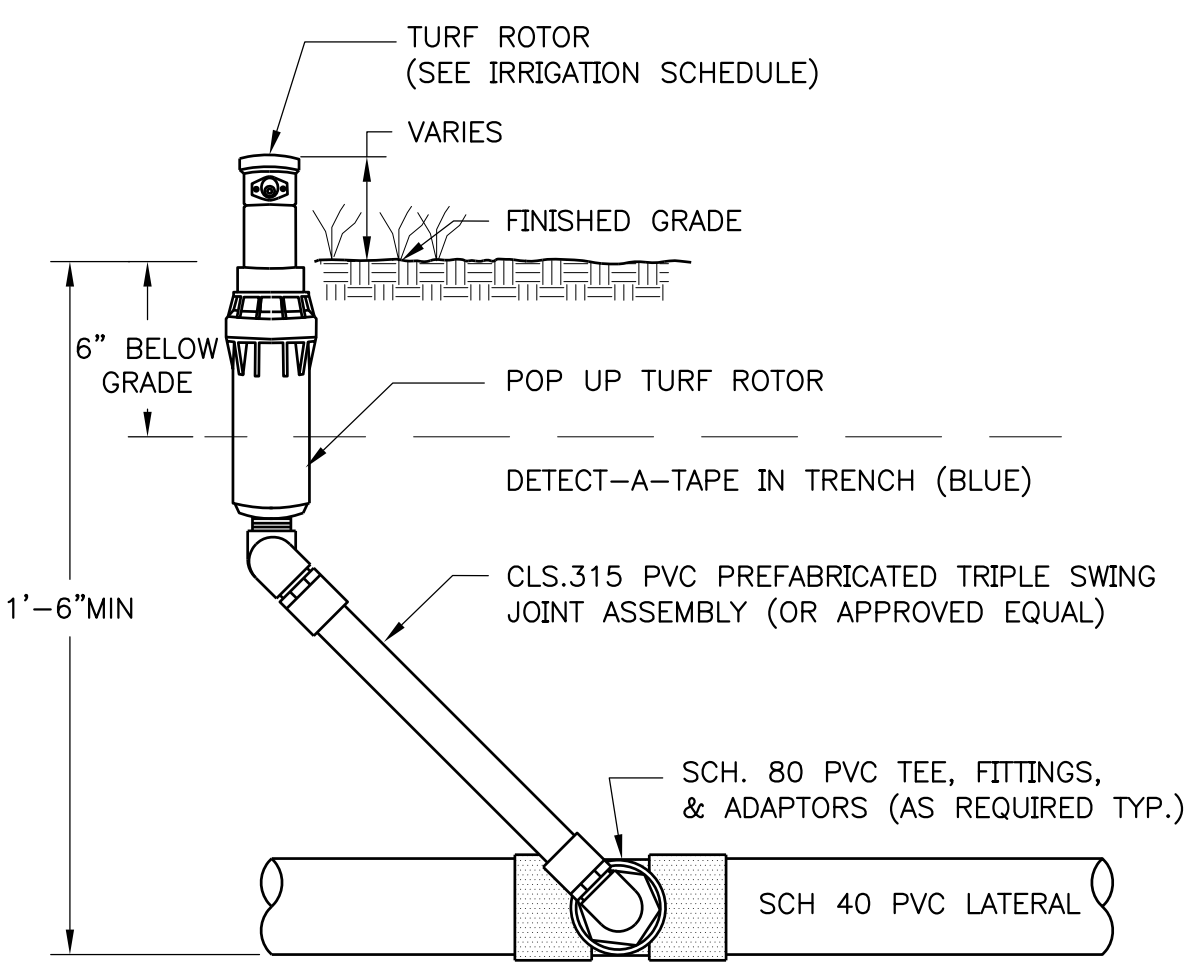
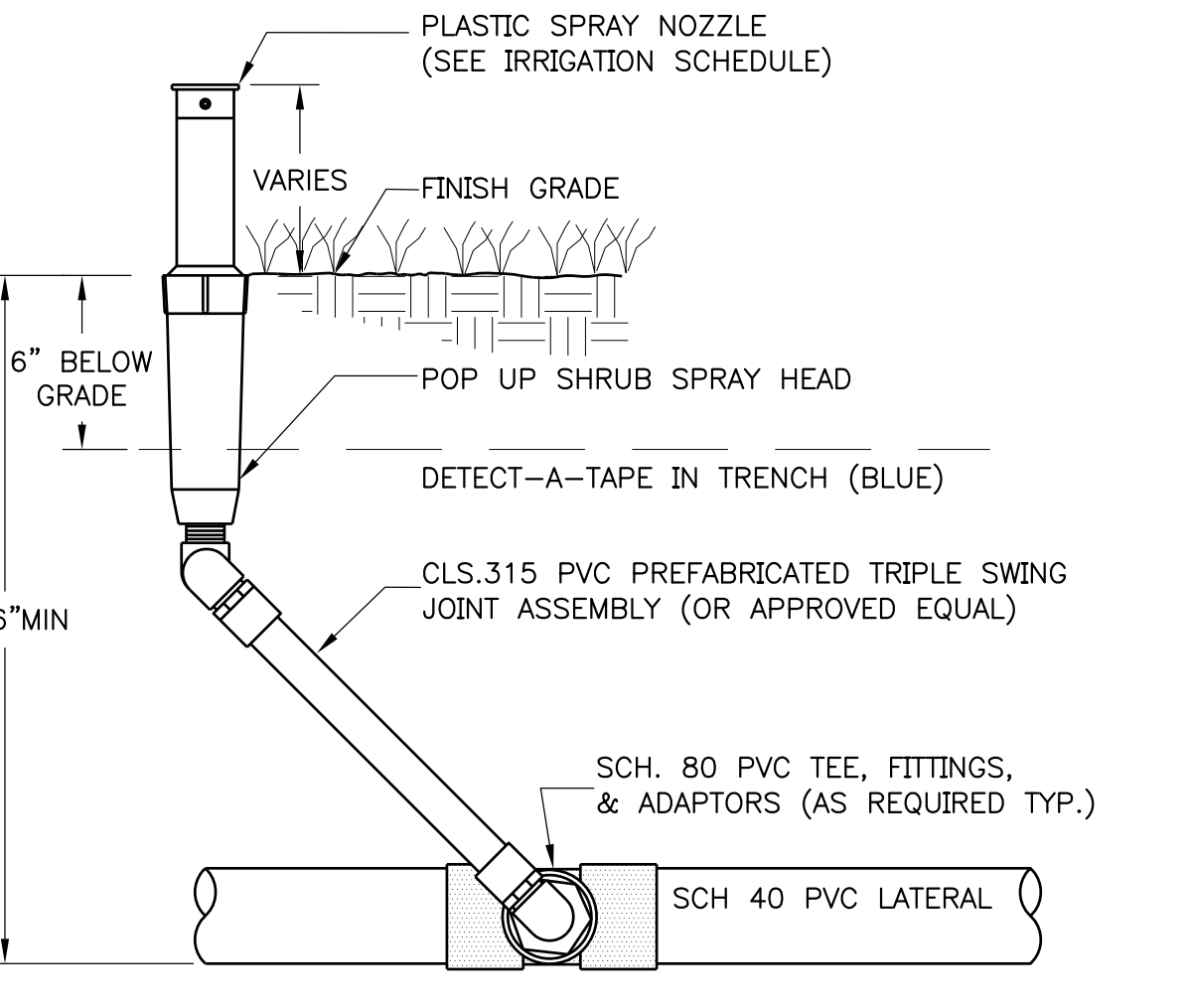


1 VALVE & HEAD
F-7.6 NOT TO SCALE

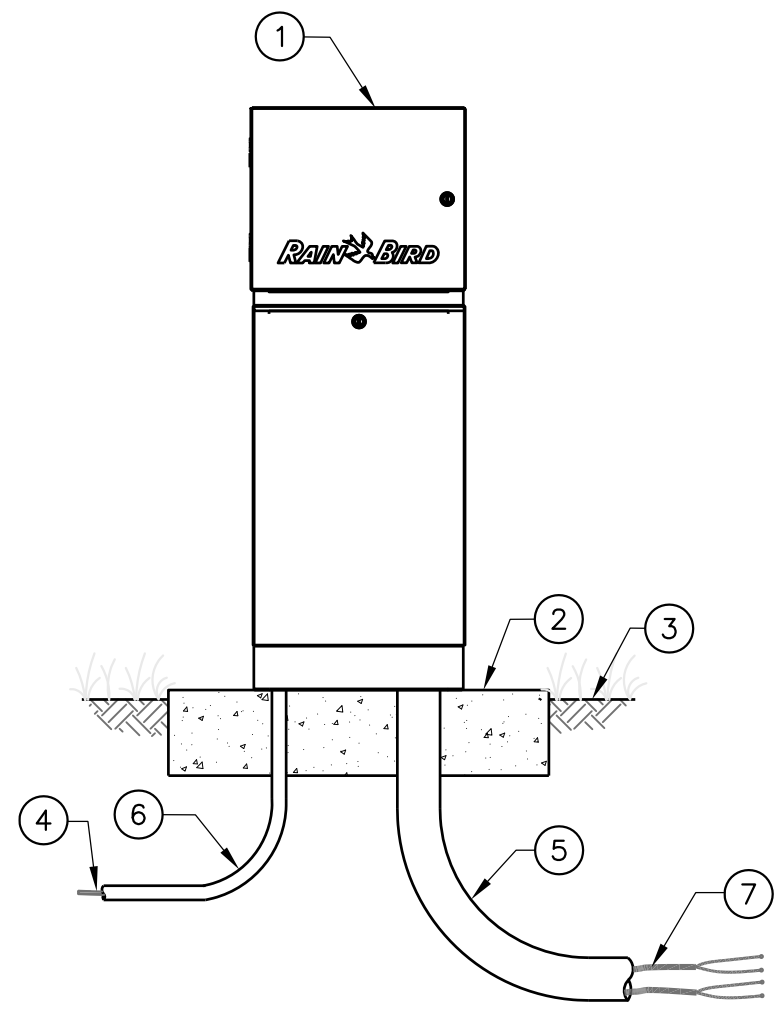
- RUBBERIZED SURFACING OVER ASPHALT PAVING
- HUNTER ST173026B* COMPOSITE BOX & 2-PIECE POLYMER-CONCRETE LID ASSEMBLY WITH CAST-IN OPENING TO SUPPORT ROTOR LATERAL THRUST PLUS CAST-IN OPENING WITH CIRCULAR COVER FOR QUICK COUPLER ACCESS
 - RUBBERIZED TRACK SURFACE OR INFILLED SYNTHETIC TURF
 - FINISHED GRADE SET TO TOP OF POROUS ASPHALT PAVING
 - CONCRETE COLLAR
 - HUNTER STG-900 WITH RUBBER COVER KIT 473900 INSTALLED
 - HUNTER STVBVKF KIT - INCLUDES HUNTER ICV-151G, 1 1/2" BALL VALVE (235 PSI RATED) PLUS ACME PIVOT CONNECTION FITTINGS
 - CONTROL VALVE SLEEVE, 8" DIAMETER X 11" TALL WITH 2 NOTCHED SECTIONS FOR PIPING
 - BALL VALVE SLEEVE, 6" DIAMETER X 11" TALL WITH 2 NOTCHED SECTIONS FOR PIPING
 - HUNTER 239800 ROTOR ADAPTER FITTING WITH 2 ACME PIVOT POINTS
 - HUNTER ST2008VA PREFABRICATED 2" SCH 80 PVC SWING JOINT WITH 6 ACME PIVOT POINTS TO PROVIDE MULTI-AXIS ARTICULATION AND ALIGNMENT OF ROTOR TO THE OPENING IN ENCLOSURE COVER
 - HUNTER HQSRC QUICK COUPLING VALVE
 - SUPPLY PIPING AND FITTINGS - 3" MINIMUM FROM MAINLINE THROUGH TO ST2008VA SWING JOINT
 - SCH 80 PVC RISER SUPPLY PIPING AND FITTINGS - 1" MINIMUM
 - ACME THREADED PIVOTING POINTS (9 TOTAL)
 - WASHED PEA GRAVEL
 - 5/8" X 30" REBAR STAKE AND STAINLESS STEEL STRAPPING
 - COMPACTED FIELD BASE MATERIAL
 - PROVIDE 4" PERFORATED CPEP LATERAL PIPE TO EXISTING FILED DRAINAGE COLLECTOR
 - WATERPROOF CONNECTIONS PER SPECIFICATION
 - TOP OF QUICK COUPLER SET 1/2" BELOW UNDERSIDE OF ENCLOSURE COVER
 - GRAVEL LEVEL 5" BELOW UNDERSIDE OF ENCLOSURE COVER (TO BOTTOM OF ROTOR'S COMPARTMENT)
 - ELEVATION OF SWING JOINT'S INLET - SET SECOND PIVOT POINT ON SWING JOINT WITH BOTTOM OF ENCLOSURE PER SIDE VIEW DETAIL DRAWING (26" BELOW ENCLOSURE TOP)
 - LOCATION OF SWING JOINT'S INLET - SET INLET AT CENTERLINE EDGE OF ENCLOSURE COVER PER TOP VIEW DETAIL DRAWING. INLET CAN BE SET DIRECTLY BELOW ENCLOSURE RIM AT CENTERLINE. INLET MUST NOT BE SET CLOSER TO ROTOR THAN SHOWN.
 - LOCATION OF QUICK COUPLER INLET PIPING - MEASURE INLET PIPING LOCATION AT TOP RIGHT HAND CORNER OF ENCLOSURE - 5" FROM TOP EDGE AND 5" FROM SIDE EDGE.
 - DEFER TO MANUFACTURERS STANDARD INSTALLATION FOR IN-TURF INSTALLATION
- *ENCLOSURE DIMENSIONS:
2-PIECE COVER - 17" X 30",
EXPOSED RIM - 20" X 33", OVERALL HEIGHT - 26",
BASE PAD - 27" X 41"



2 IRRIGATION POP-UP ROTOR HEAD
F-7.6 NOT TO SCALE

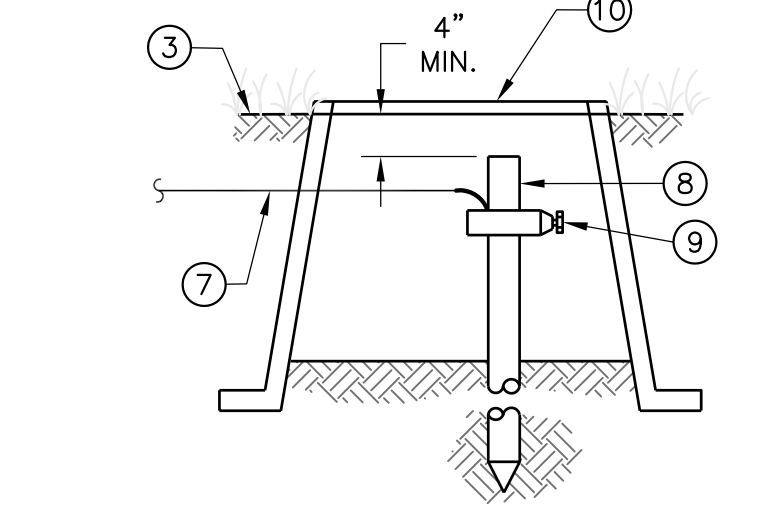


3 IRRIGATION SPRAY HEAD-GRASS
F-7.6 NOT TO SCALE



CONTROLLER & PEDESTAL INSTALLATION

- FIELD SATELLITE CONTROLLER:
*A-FIELD: RAIN BIRD ESP-12SAT-2S-LS
*B-LANDSCAPE: RAIN BIRD ESP-24SAT-2S-LS
PED-DD16 PEDESTAL ENCLOSURE
- CONCRETE PAD: 8-INCH MINIMUM THICKNESS
- FINISH GRADE
- WIRES TO REMOTE CONTROL VALVES
- 2-INCH PVC SCH 40 CONDUIT, FITTINGS AND SWEEP ELL
- 1-INCH PVC SCH 40 CONDUIT, FITTINGS AND SWEEP ELL TO POWER SUPPLY
- BARE COPPER WIRE (#10 AWG MIN.): CONNECT TO GROUNDING BUSS IN CONTROLLER CABINET AND ROUTE TO GROUND ROD. PATH TO GROUND ROD SHOULD BE AS STRAIGHT AS POSSIBLE.
- 5/8-INCH X 8 FT COPPER CLAD GROUNDING ROD OR GROUNDING PLATE.
- GROUND ROD CLAMP OR WELDS
- COVER GROUNDING ROD WITH 10-INCH ROUND VALVE BOX AS SHOWN



4 IRRIGATION CONTROLLER-CABINET
F-7.6 NOT TO SCALE



www.AuslandGroup.com
Ashland 541.482.0923
Eugene 541.345.1094
Grants Pass 541.476.3788
Medford 541.773.3387



Drawn By:	CPW, JS	Director Decision Date:	N/A
Designed By:	EUG	First Submittal Date:	07-07-2015
Checked By:	EUG, RSH	Second Submittal Date:	
Approved:		City Approval Date:	
Rev 1:		By:	
Rev 2:		By:	
Rev 3:		By:	
As-Built:			

OREGON TECH TRACK AND SOCCER PROJECT
CONSTRUCTION DOCUMENTS
MAP NO. 38-09-00, TAX LOT 4900
3201 CAMPUS DRIVE, KLAMATH FALLS, OREGON
CITY PROJECT NO. OIT-2704-P-13-17

VERIFY SCALES
ORIGINAL DRAWING: 1" = 10'-0" (VERTICAL)
1" = 10'-0" (HORIZONTAL)
IF NOT ONE INCH ON THIS SHEET, ADJUST SCALES ACCORDINGLY

REGISTERED LANDSCAPE ARCHITECT
548
ROBERT HARDING
OREGON
05/31/15

SHEET
F-7.6
IRRIGATION & WASHWATER DETAILS

Drawing Name: K:\Files\Current\Project Files\Origin\Institute of Technology Drawings\F-7.6 Irrigation & Washwater Details.dwg
Plot Date: Jun 02, 2015 - 10:55am