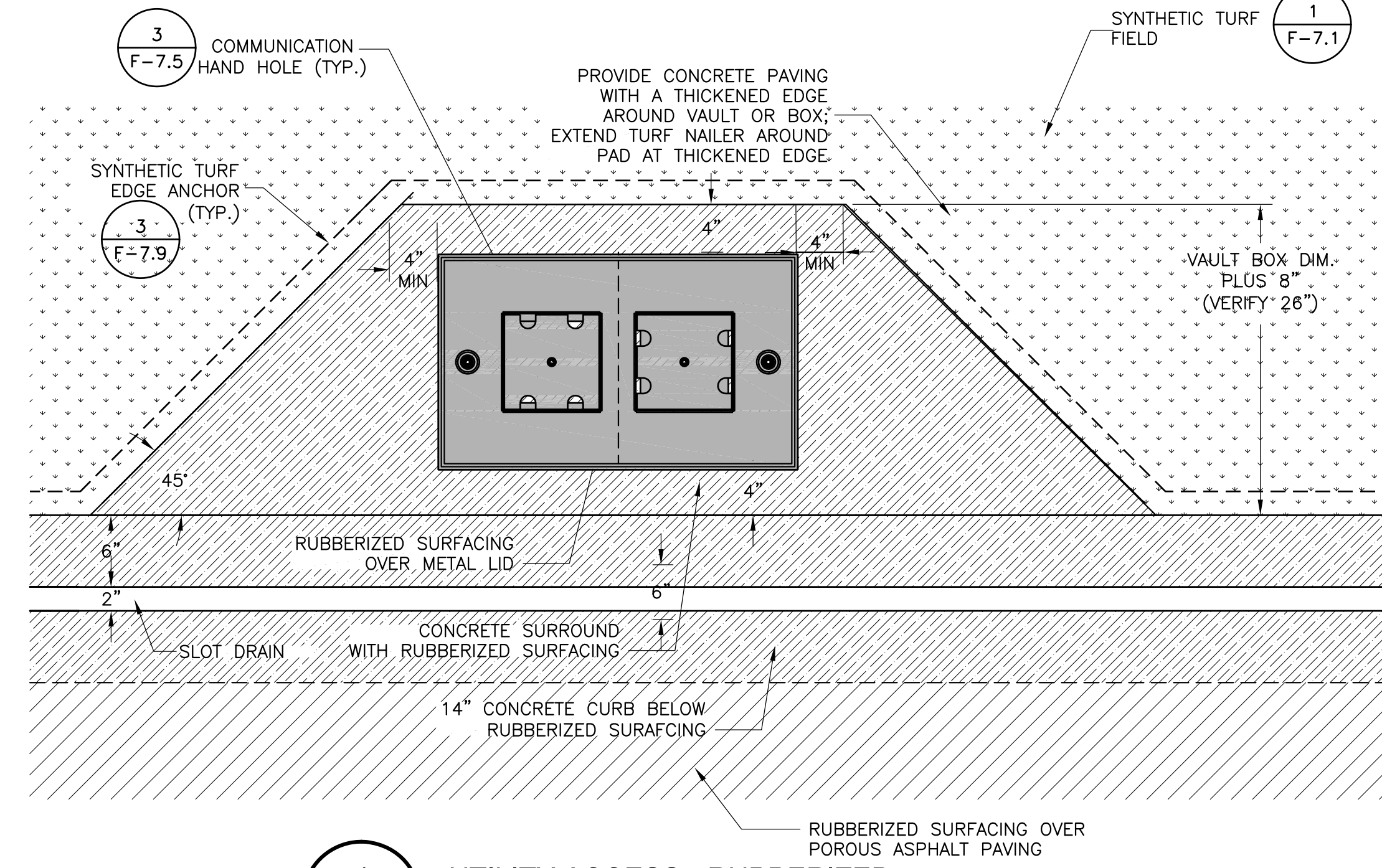
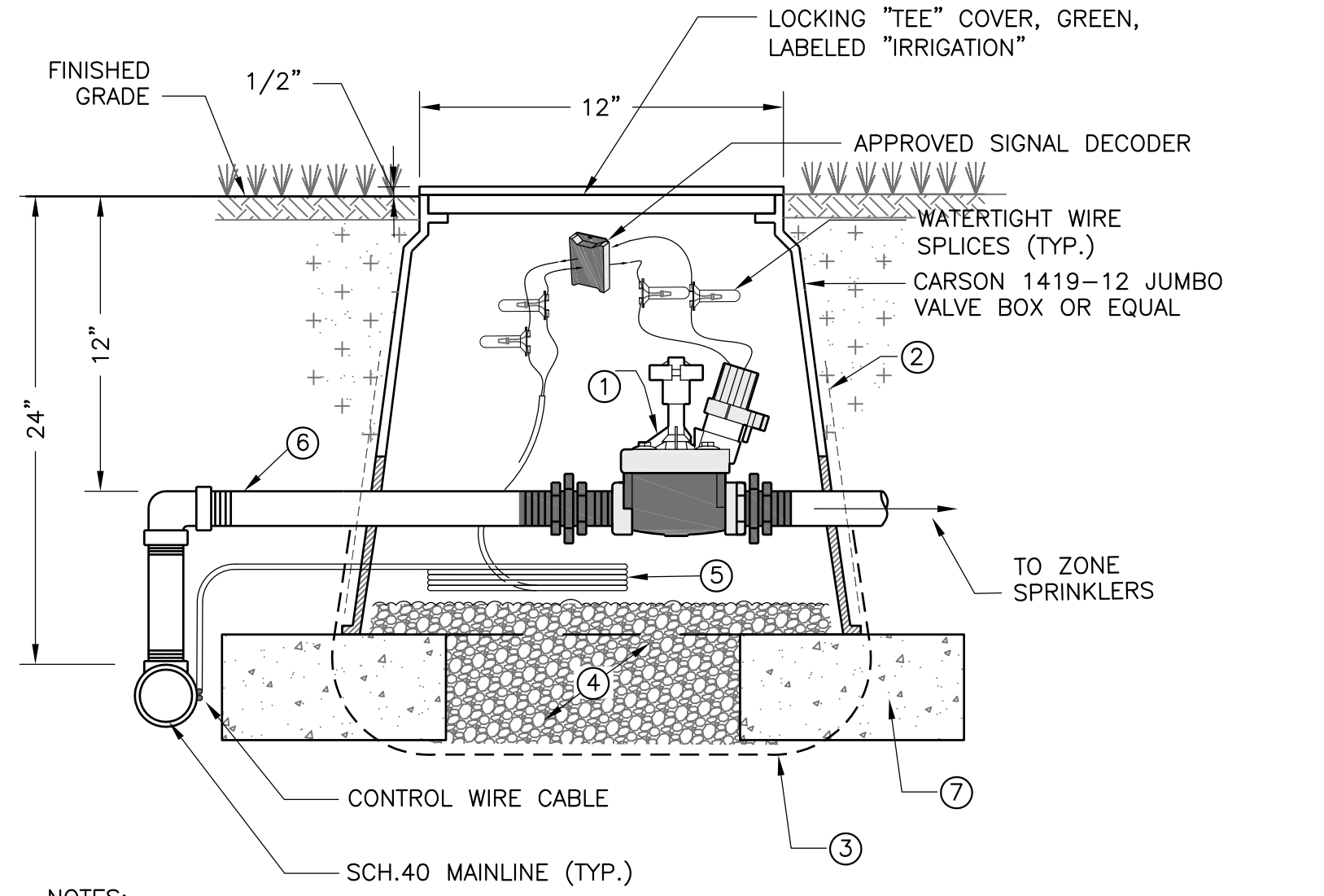


**1 QUICK COUPLING VALVE & BOXES (EXCLUDES QCV'S IN FIELD COOLING SYSTEM ASSEMBLIES)**  
F-7.5 NOT TO SCALE

**3 COMBOX**  
F-7.5 NOT TO SCALE



**2 REMOTE CONTROL VALVES & BOX**  
F-7.5 NOT TO SCALE

**4 UTILITY ACCESS - RUBBERIZED**  
F-7.5 NOT TO SCALE

**AUSLAND GROUP**

www.AuslandGroup.com

Ashland 541.482.0923  
Eugene 541.345.1094  
Grants Pass 541.476.3788  
Medford 541.773.3387

**DA HOGAN**

139 3rd Avenue South, Suite 100  
Seattle, Washington 98104  
P: 206.295.0500  
F: 206.295.0460

Drawn By:	CPW, JS	Director Decision Date:	N/A
Designed By:	EJG	First Submittal Date:	07-07-2015
Checked By:	EJG, RSH	Second Submittal Date:	01-27-2015
Approved:		City Approval Date:	
Rev 1	By: [Signature]	By:	
Rev 2	By: [Signature]	By:	
Rev 3	By: [Signature]	By:	
As-Built			

**OREGON TECH TRACK AND SOCCER PROJECT**

CONSTRUCTION DOCUMENTS  
MAP NO. 38-09-00, TAX LOT 4900  
3201 CAMPUS DRIVE, KLAMATH FALLS, OREGON  
CITY PROJECT NO. OIT-2704-P-13-17

VERIFY SCALES  
ORIGINAL DRAWING: 1/8" = 1'-0"  
IF NOT ONE INCH ON THIS SHEET, ADJUST SCALES ACCORDINGLY

**REGISTERED LANDSCAPE ARCHITECT**

548  
ROBERT HARDING  
OREGON  
05/31/15

SHEET  
**F-7.5**  
IRRIGATION & WASHWATER DETAILS