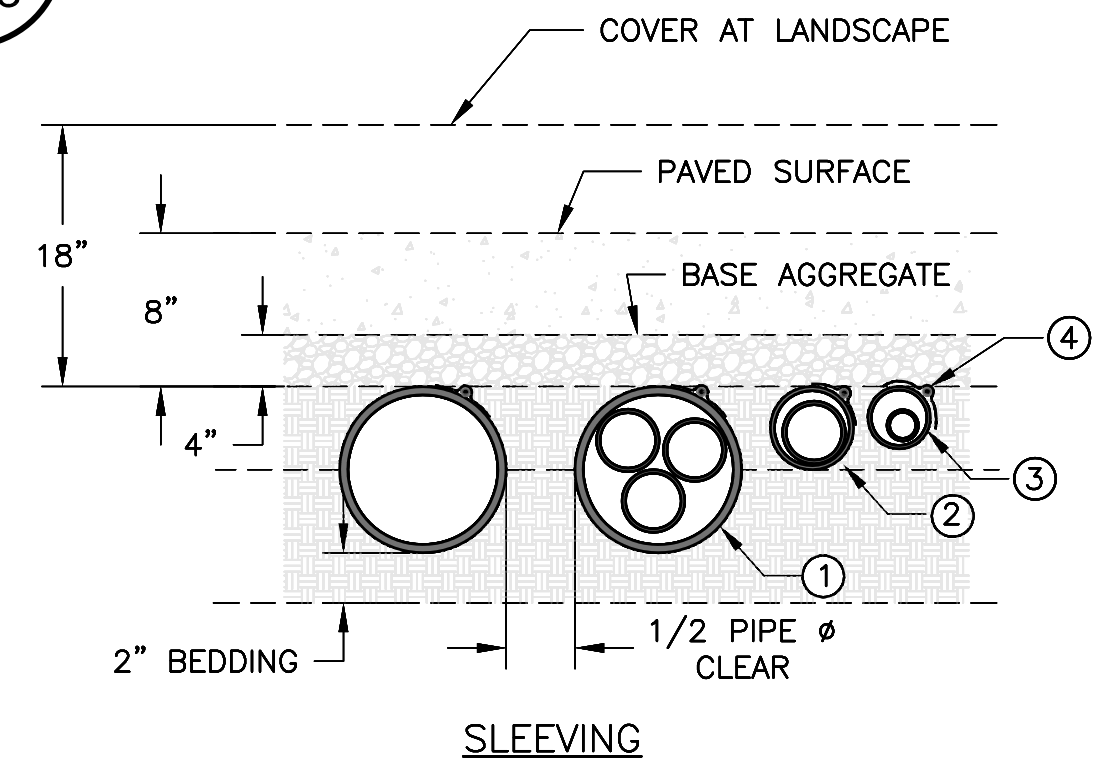
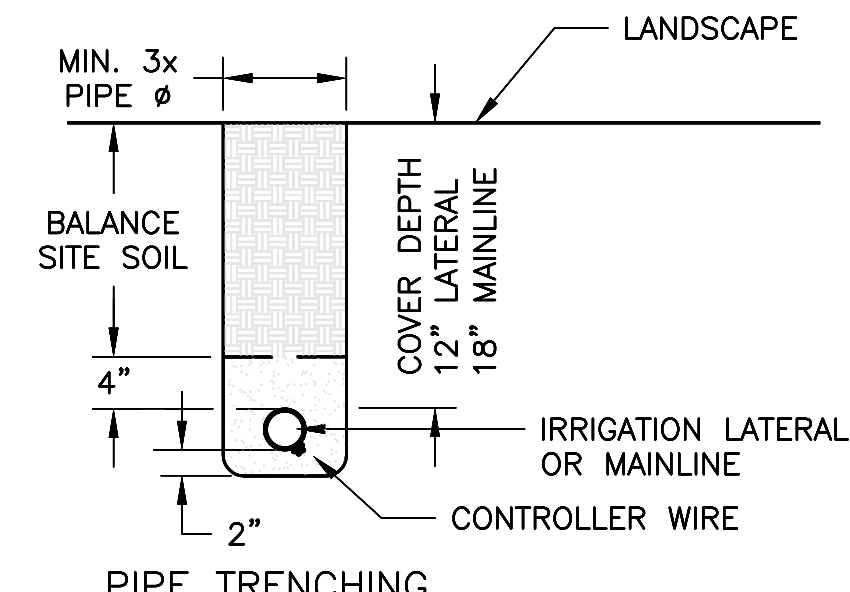


1 TYPE 2 AND SLOT DRAIN CATCH BASIN
F-7.3 NOT TO SCALE

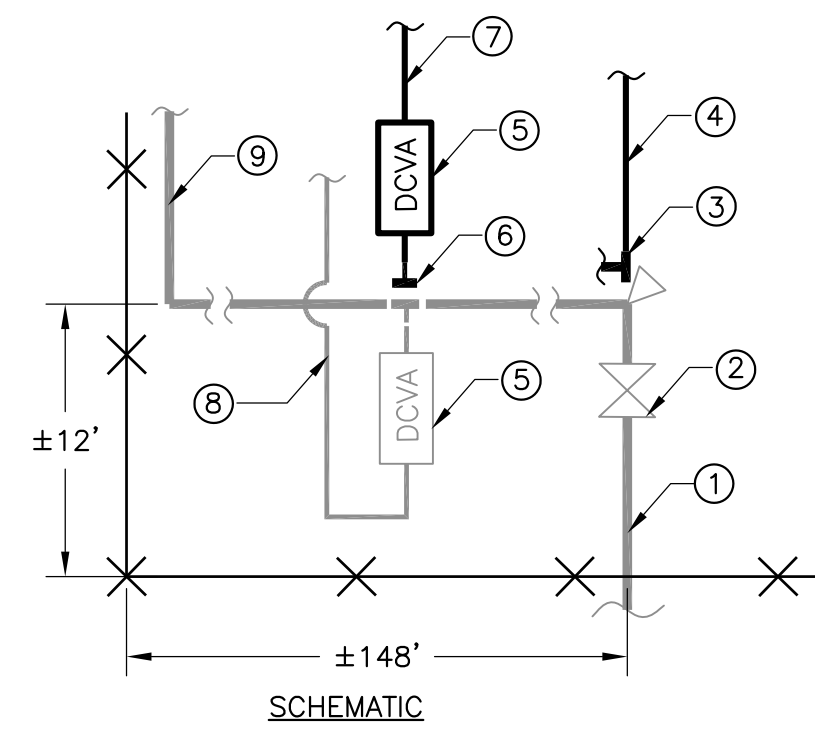


- NOTES:**
- 12" SLEEVE CONTAINS UP TO (3) 4" PIPE
 - 6" SLEEVE CONTAINS (1) 4" PIPE
 - 4" SLEEVE CONTAINS (1) 2" PIPE
 - ALL SLEEVES TO INCORPORATE A 14G TRACER WIRE TAPED TO THE UPPER 1/3

- TRENCHING NOTES:**
- ALL PIPE SHALL BE INSTALLED IN PREPARED TRENCHES FREE OF ROCKS, STICKS, ROOTS, AND DEBRIS.
 - ALL PIPE TO BE BEDDED IN A MINIMUM 2" CLEAN SAND, BACKFILLED WITH A MINIMUM 4" CLEAN SAND COVER.
 - COMMONLY TRENCHED PIPE SHALL HAVE A MINIMUM 2" SEPARATION, NO CROSSING PIPE PERMITTED WITHOUT APPROVED SEPERATION (2" POLYSTYRENE OR EQUAL).

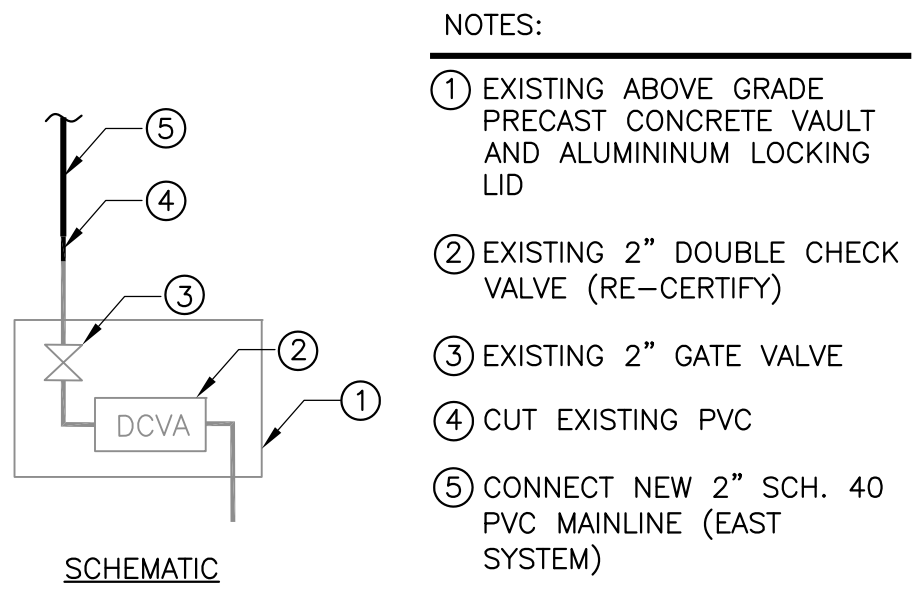


2 TRENCHING FOR MAINLINE & LATERAL PIPE
F-7.3 NOT TO SCALE



- NOTES:**
- EXISTING 4" DUCTILE IRON DOMESTIC WATER SERVICE
 - EXISTING 4" ISOLATION GATE VALVE
 - NEW DUCTILE IRON 4" TEE
 - REDUCE TO NEW 3" I.P.S. PVC FIELD COOLING SYSTEM MAINLINE
 - EXISTING DOUBLE CHECK VALVE ASSEMBLY - REMOVE, RE-CERTIFY, AND REINSTALL
 - NEW DUCTILE IRON TEE 4"x4"x2"
 - NEW 2" SCH. 40 PVC IRRIGATION MAINLINE (WEST SYSTEM)
 - REMOVE EXISTING ABANDONED IRRIGATION PIPE AS ENCOUNTERED
 - 4" DUCTILE IRON DOMESTIC CONTINUES, SEE CIVIL

IRRIGATION POINT OF CONNECTION (WEST LANDSCAPE & FIELD COOLING)



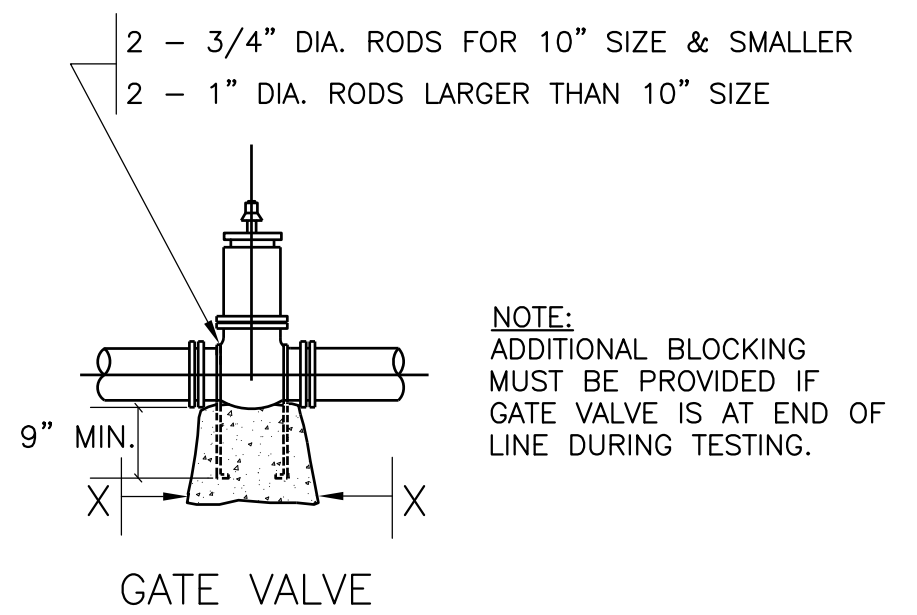
- NOTES:**
- EXISTING ABOVE GRADE PRECAST CONCRETE VAULT AND ALUMINUM LOCKING LID
 - EXISTING 2" DOUBLE CHECK VALVE (RE-CERTIFY)
 - EXISTING 2" GATE VALVE
 - CUT EXISTING PVC
 - CONNECT NEW 2" SCH. 40 PVC MAINLINE (EAST SYSTEM)

IRRIGATION POINT OF CONNECTION (EAST)

3 POINT OF CONNECTION-SCHEMATIC
F-7.3 NOT TO SCALE

THRUST BLOCK - TABLE

PIPE SIZE	PRESSURE PSI	MINIMUM BEARING AREA AGAINST UNDISTURBED SOIL SQUARE FEET					X (100 PSI)
		A	B	C	D	E	
4"	200	2/(1)	1/(NONE)	NONE	NONE	NONE	NONE
	300	3/(2)	2/(2)	2/(1)	1/(1)	NONE	NONE

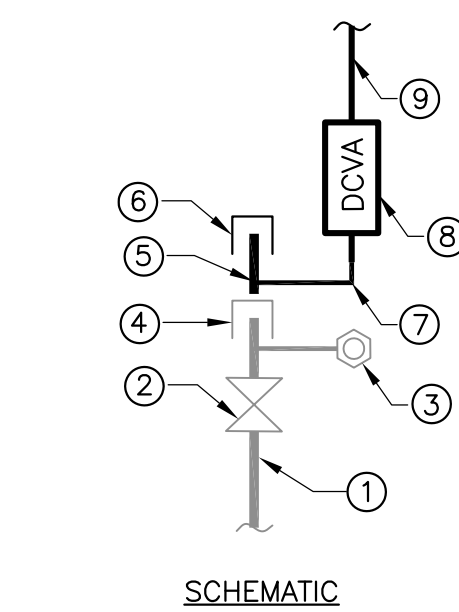


SAFE BEARING LOADS IN LB./SQ. FT.
THE SAFE BEARING LOADS GIVEN IN THE FOLLOWING TABLE ARE FOR HORIZONTAL THRUSTS WHEN THE DEPTH OF COVER OVER THE PIPE EXCEEDS 2 FEET.

SOIL	SAFE BEARING LOAD LB PER SQ. FT.
* MUCK, PEAT, ETC.	0
SOFT CLAY	1,000
SAND	2,000
SAND & GRAVEL	3,000
SAND & GRAVEL CEMENTED WITH CLAY	4,000
HARD SHALE	10,000

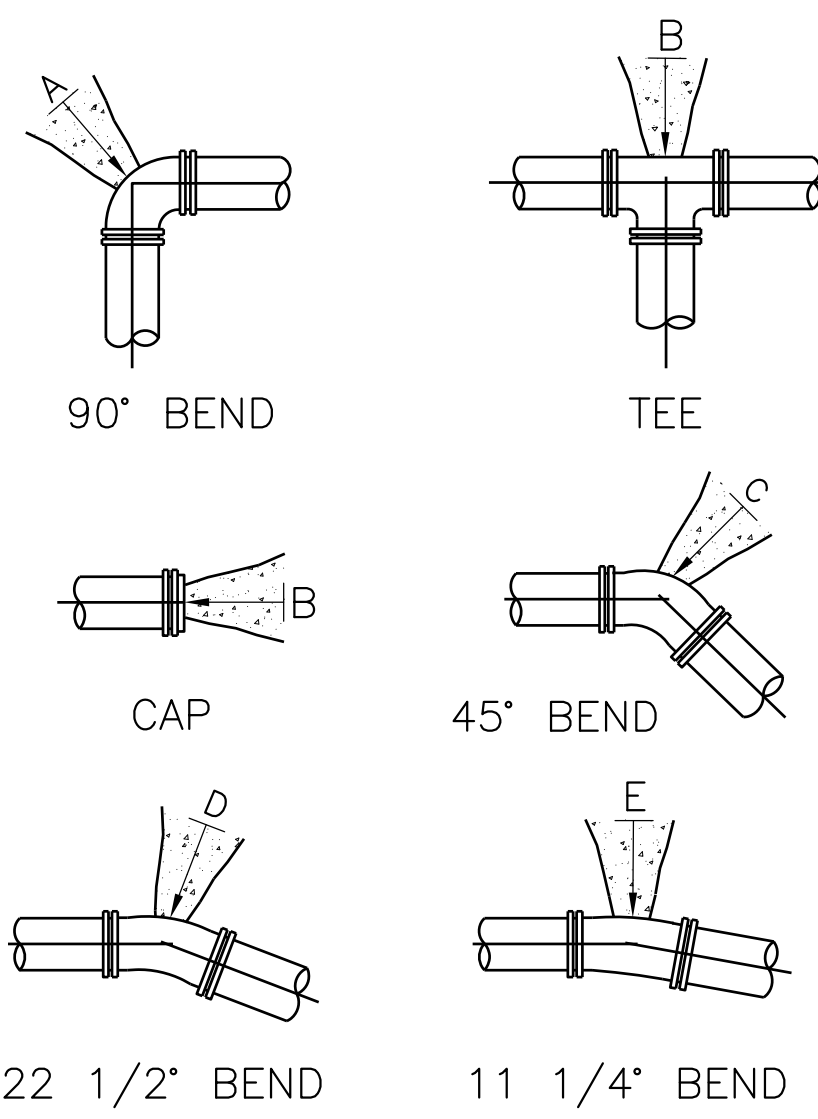
* IN MUCK OR PEAT, ALL THRUSTS SHALL BE RESTRAINED BY PILES OR TIE RODS TO SOLID FOUNDATIONS OR BY REMOVAL OF MUCK OR PEAT AND REPLACEMENT WITH BALLAST OF SUFFICIENT STABILITY TO RESIST THRUST.

4 CONCRETE BLOCKING
F-7.3 NOT TO SCALE



- NOTES:**
- 4" DOMESTIC WATER LINE, BASE BID, SEE CIVIL
 - 4" GATE VALVE, BASE BID, SEE CIVIL
 - 1.5" QUICK COUPLER VALVE / HYDRANT, BASE BID, SEE CIVIL
 - 4" BLIND FLANGE, BASE BID, SEE CIVIL
 - 4"x4" TEE
 - 4" BLIND FLANGE / CAP
 - 2" COPPER EXTENSION & 90
 - NEW 2" DOUBLE CHECK VALVE
 - SCH. 40 PVC MAINLINE, THROWS TURF IRRIGATION

IRRIGATION POINT OF CONNECTION (NORTH/ THROWS)



- NOTES:**
- SQUARE FEET OF CONCRETE THRUSTS - BLOCK AREA BASED ON SAFE BEARING LOAD OF 2000/(3000) POUNDS PER SQUARE FOOT.
 - AREAS MUST BE ADJUSTED FOR OTHER SIZE PIPE, PRESSURES & SOIL CONDITIONS.
 - CONCRETE BLOCKING SHALL BE CAST IN PLACE & HAVE MINIMUM OF 1/4 SQUARE FOOT BEARING AGAINST THE FITTING.
 - BLOCK SHALL BEAR AGAINST FITTINGS ONLY & SHALL BE CLEAR OF JOINTS TO PERMIT TAKING UP OR DISMANTLING JOINT.
 - CONTRACTOR SHALL INSTALL BLOCKING ADEQUATE TO WITHSTAND FULL TEST PRESSURE AS WELL AS TO CONTINUOUSLY WITHSTAND OPERATING PRESSURE UNDER ALL CONDITIONS OF SERVICE.



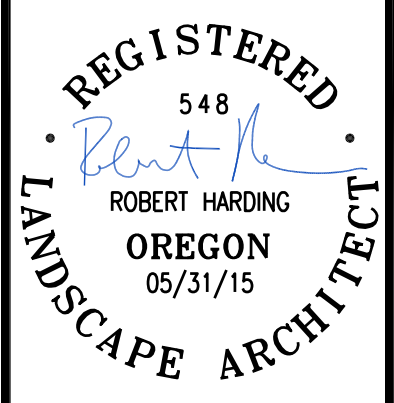
www.AuslandGroup.com
Ashland 541.482.0923
Eugene 541.345.1094
Grants Pass 541.476.3788
Medford 541.773.3387



Director Decision Date:	N/A
First Submittal Date:	07-07-2015
Second Submittal Date:	
City Approval Date:	
Drawn By:	CPW, JS
Checked By:	EJG, RSH
Approved By:	
Rev 1:	
Rev 2:	
Rev 3:	
As-Built:	

OREGON TECH TRACK AND SOCCER PROJECT
CONSTRUCTION DOCUMENTS
MAP NO. 38-09-00, TAX LOT 4900
3201 CAMPUS DRIVE, KLAMATH FALLS, OREGON
CITY PROJECT NO. OIT-2704-P-13-17

VERIFY SCALES
ORIGINAL DRAWING
SCALE IS ONE INCH ON THIS SHEET, ADJUST SCALES ACCORDINGLY



SHEET
F-7.3
IRRIGATION & WASHWATER DETAILS