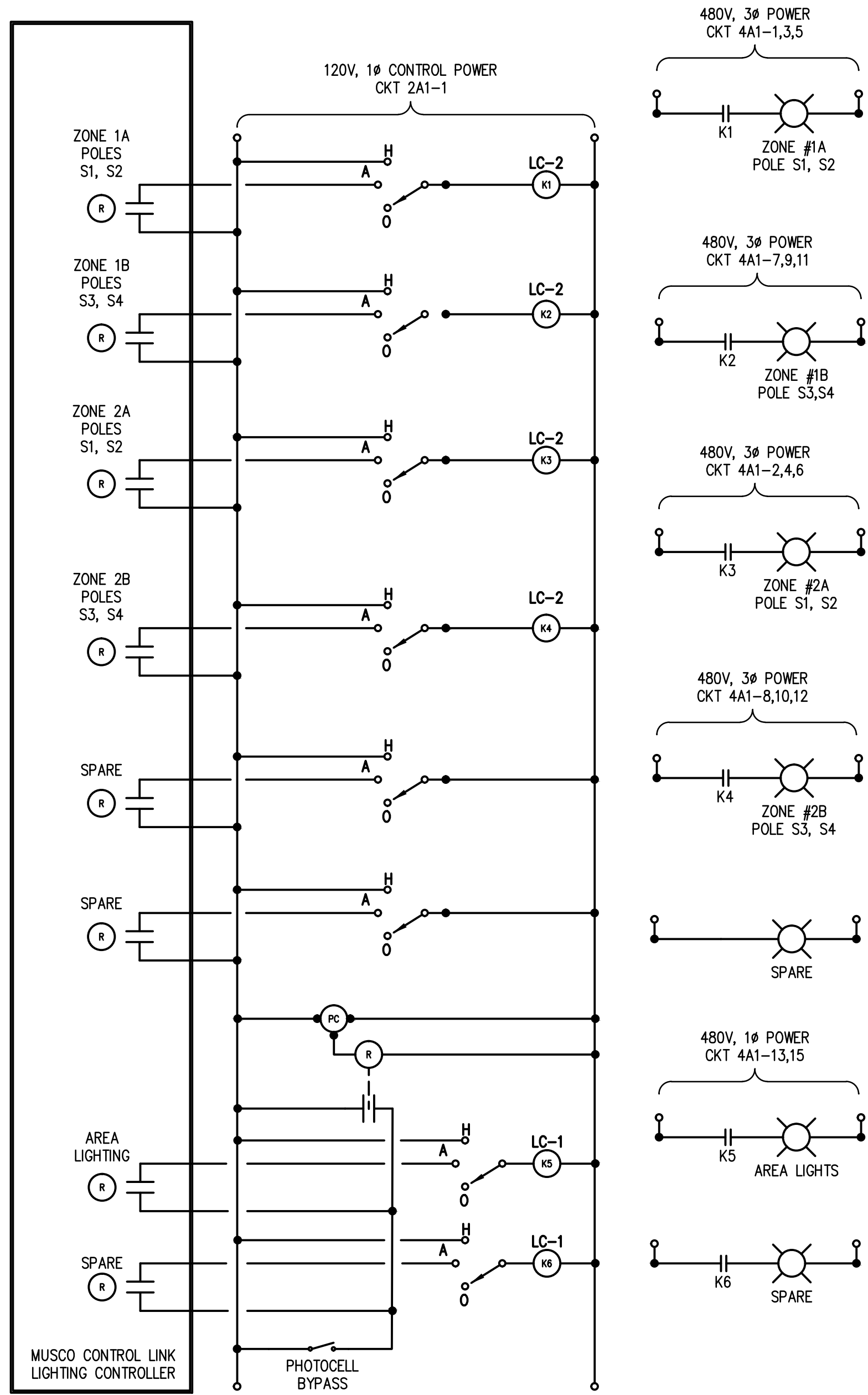


LEGEND:

- LC-1 LIGHTING CONTACTOR 3P30A
- LC-2 LIGHTING CONTACTOR 3P60A
- HOA SWITCH, SQUARE D 9001 SERIES
- PHOTOCELL 105-285 V. 1800 VA.
- POLE LIGHTS
- RELAY
- NORMALLY OPEN CONTACTOR



1 CONTROL ONE LINE
E2.2 SCALE: NONE

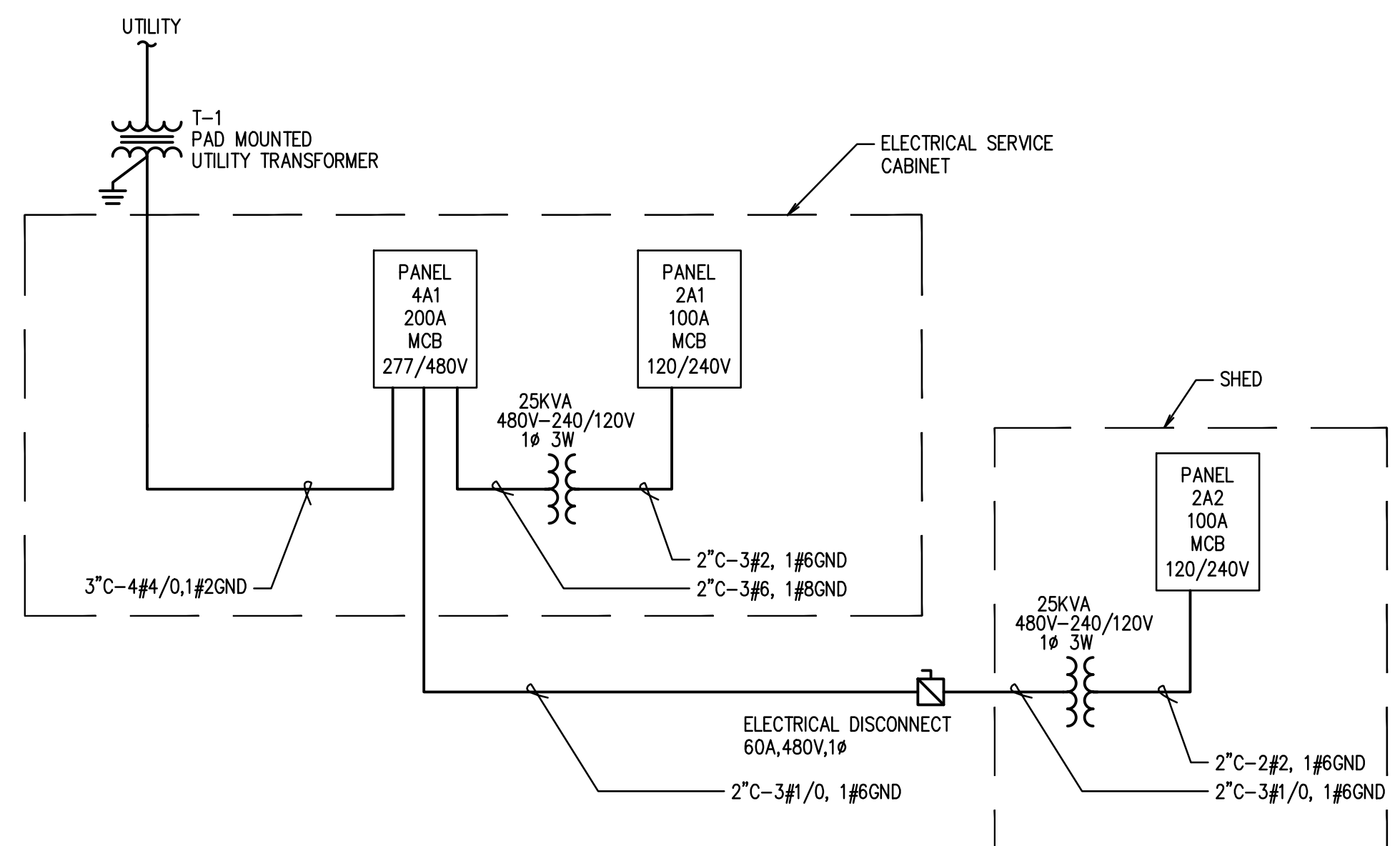
Sparling Panel 4A1												
Name: Panel 4A1 277/480V 3 PH 4W 200A Main CB Type: Panelboard 65,000 AIC												
Location: OIT Soccer Field Surface Mounted												
Serves: OIT Soccer Field Single Lugs												
#	Description	Load	CB	*	A	B	C	CB	*	Load	Description	#
1	Lighting ZONE 1, POLES S1, S2	6.80	40/3	CB	X			40/3	CB	6.80	Lighting ZONE 2, POLES S1, S2	2
3	-----ZONE 1, POLES S1, S2	6.80			X					6.80	-----ZONE 2, POLES S1, S2	4
5	-----ZONE 1, POLES S1, S2	6.80			X					6.80	-----ZONE 2, POLES S1, S2	6
7	Lighting ZONE 1, POLES S3, S4	7.93	40/3	CB	X			40/3	CB	6.80	Lighting ZONE 2, POLES S3, S4	8
9	-----ZONE 1, POLES S3, S4	7.93			X					7.93	-----ZONE 2, POLES S3, S4	10
11	-----ZONE 1, POLES S3, S4	7.93			X					7.93	-----ZONE 2, POLES S3, S4	12
13	Lighting AREA LIGHTS	0.10	20/2	CB	X			40/3	CB	0.00	Spare	14
15	-----AREA LIGHTS	0.10			X					0.00	-----	16
17	Space	0.00	0/1		X					0.00	-----	18
19	Space	0.00	0/1		X					0.00	Space	20
21	Space	0.00	0/1		X					0.00	Space	22
23	Space	0.00	0/1		X					0.00	Space	24
25	Space	0.00	0/1		X					0.00	Space	26
27	Space	0.00	0/1		X					0.00	Space	28
29	Space	0.00	0/1		X					0.00	Space	30
31	Space	0.00	0/1		X					0.00	Space	32
33	Space	0.00	0/1		X					0.00	Space	34
35	Space	0.00	0/1		X			60/2	CB	0.00	Panel Panel 2A2	36
37	Space	0.00	0/1		X					0.00	-----Panel 2A2	38
39	Space	0.00	0/1		X			70/2	CB	3.11	Panel Panel 2A1	40
41	Space	0.00	0/1		X					4.03	-----Panel 2A1	42

Sparling Panel 2A1												
Name: Panel 2A1 120/240V 1 PH 3W 100A Main CB Type: Panelboard 10,000 AIC												
Location: OIT Soccer Field Surface Mounted												
Serves: OIT Soccer Field Single Lugs												
#	Description	Load	CB	*	A	B	CB	*	Load	Description	#	
1	Equip LIGHTING CONTROLLER	0.40	20/1	CB	X			30/2	CB	2.25	Receipt TRACK POWER	2
3	Lighting SERVICE PEDESTAL	0.10	20/1	CB	X					2.25	-----TRACK POWER	4
5	Receipt SERVICE PEDESTAL	0.18	20/1	CB	X			20/1	CB	0.10	Lighting FLAG POLE	6
7	Equip PEDESTAL STRIP HEATER	1.00	20/1	CB	X			20/1	CB	0.18	Receipt TRACK POWER	8
9	Spare	0.00	30/1	CB	X			20/1	CB	0.18	Receipt TRACK POWER	10
11	Spare	0.00	20/1	CB	X			20/1	CB	0.50	Equip Irrigation Controller	12
13	Spare	0.00	20/1	CB	X			0/1		0.00	Space	14
15	Spare	0.00	20/1	CB	X			0/1		0.00	Space	16
17	Spare	0.00	20/1	CB	X			0/1		0.00	Space	18
19	Spare	0.00	0/1		X			0/1		0.00	Space	20
21	Spare	0.00	0/1		X			0/1		0.00	Space	22
23	Spare	0.00	0/1		X			0/1		0.00	Space	24

Sparling Panel 2A2												
Name: Panel 2A2 120/240V 1 PH 3W 100A Main CB Type: Panelboard 10,000 AIC												
Location: OIT SHED Surface Mounted												
Serves: OIT SHED Single Lugs												
#	Description	Load	CB	*	A	B	CB	*	Load	Description	#	
1	Spare	0.00	20/1	CB	X			0/1		0.00	Space	2
3	Spare	0.00	20/1	CB	X			0/1		0.00	Space	4
5	Spare	0.00	20/1	CB	X			0/1		0.00	Space	6
7	Spare	0.00	20/1	CB	X			0/1		0.00	Space	8
9	Spare	0.00	20/1	CB	X			0/1		0.00	Space	10
11	Spare	0.00	20/1	CB	X			0/1		0.00	Space	12
13	Spare	0.00	0/1		X			0/1		0.00	Space	14
15	Spare	0.00	0/1		X			0/1		0.00	Space	16
17	Spare	0.00	0/1		X			0/1		0.00	Space	18

Sparling Panel 2A1 (Summary)											
Name: Panel 2A1 120/240V 1 PH 3W 100A Main CB Type: Panelboard 10,000 AIC											
Location: OIT Soccer Field Surface Mounted											
Serves: OIT Soccer Field Single Lugs											
Load Type	Conn KVA	NEC Demand Factor	Dem. KVA	Dem. Amf	NEC Feed %	NEC Feed Amps					
Equip	1.90	100%	1.90	2	100%	2					
Lighting	87.67	100%	87.67	105	125%	132					
Receipt	5.04	10 KVA @ 100%, rest @ 50%	5.04	6	100%	6					
	94.61	114 Amps	94.61	114		140					

Sparling Panel 2A2 (Summary)											
Name: Panel 2A2 120/240V 1 PH 3W 100A Main CB Type: Panelboard 10,000 AIC											
Location: OIT SHED Surface Mounted											
Serves: OIT SHED Single Lugs											
Load Type	Conn KVA	NEC Demand Factor	Dem. KVA	Dem. Amf	NEC Feed %	NEC Feed Amps					
Equip	1.90	100%	1.90	2	100%	2					
Lighting	87.67	100%	87.67	105	125%	132					
Receipt	5.04	10 KVA @ 100%, rest @ 50%	5.04	6	100%	6					
	94.61	114 Amps	94.61	114		140					



2 ONE-LINE DIAGRAM
E2.2 SCALE: NONE

Sparling Panel 2A1 (Summary)											
Name: Panel 2A1 120/240V 1 PH 3W 100A Main CB Type: Panelboard 10,000 AIC											
Location: OIT Soccer Field Surface Mounted											
Serves: OIT Soccer Field Single Lugs											
Load Type	Conn KVA	NEC Demand Factor	Dem. KVA	Dem. Amf	NEC Feed %	NEC Feed Amps					
Equip	1.90	100%	1.90	8	100%	8					
Lighting	0.20	100%	0.20	1	125%	1					
Receipt	5.04	10 KVA @ 100%, rest @ 50%	5.04	21	100%	21					
	7.14	30 Amps	7.14	30		30					

Sparling Panel 2A2 (Summary)											
Name: Panel 2A2 120/240V 1 PH 3W 100A Main CB Type: Panelboard 10,000 AIC											
Location: OIT SHED Surface Mounted											
Serves: OIT SHED Single Lugs											
Load Type	Conn KVA	NEC Demand Factor	Dem. KVA	Dem. Amf	NEC Feed %	NEC Feed Amps					
Space	0.00		0.00	0		0					
	0.00	0 Amps	0.00	0		0					

AUSLAND GROUP

www.AuslandGroup.com

Ashland 541.482.0923
Eugene 541.345.1094
Grants Pass 541.476.3788
Medford 541.773.3387

DA HOGAN

239 2nd Avenue South, Suite 120
Seattle, Washington 98104
T: 206.265.0900
F: 206.265.0400

Drawn By:	AAU	Director Decision Date:	N/A
Designed By:	RRK	First Submittal Date:	
Checked By:	CBF, JED	Second Submittal Date:	
Approved:		City Approval Date:	
Rev 1:		By:	
Rev 2:		By:	
Rev 3:		By:	
As-Built:			

OREGON TECH TRACK AND SOCCER PROJECT

CONSTRUCTION DOCUMENTS

MAP NO. 38-09-00, TAX LOT 4-900

3201 CAMPUS DRIVE, KLAMATH FALLS, OREGON

CITY PROJECT NO. OIT-270-P-13-17

VERIFY SCALES

ORIGINAL DRAWING

IF ANY ONE INCH ON THIS SHEET, ADJUST SCALES ACCORDINGLY

REGISTERED PROFESSIONAL ENGINEER

OREGON JUL 25 1909

JAMES E. DEBBERT

EXPIRES 12-31-2015

SPARLING

WORK TOGETHER | STAND APART™

811

Know what's below. Call before you dig.

E-2.2

Electrical Details & Schedules

J:\18830\CAD-BIM\E22 Feb 05, 2015 8:33 AM By:RKATAYA
Plot Date: Feb 05, 2015 8:33am
WIEZZ.dwg