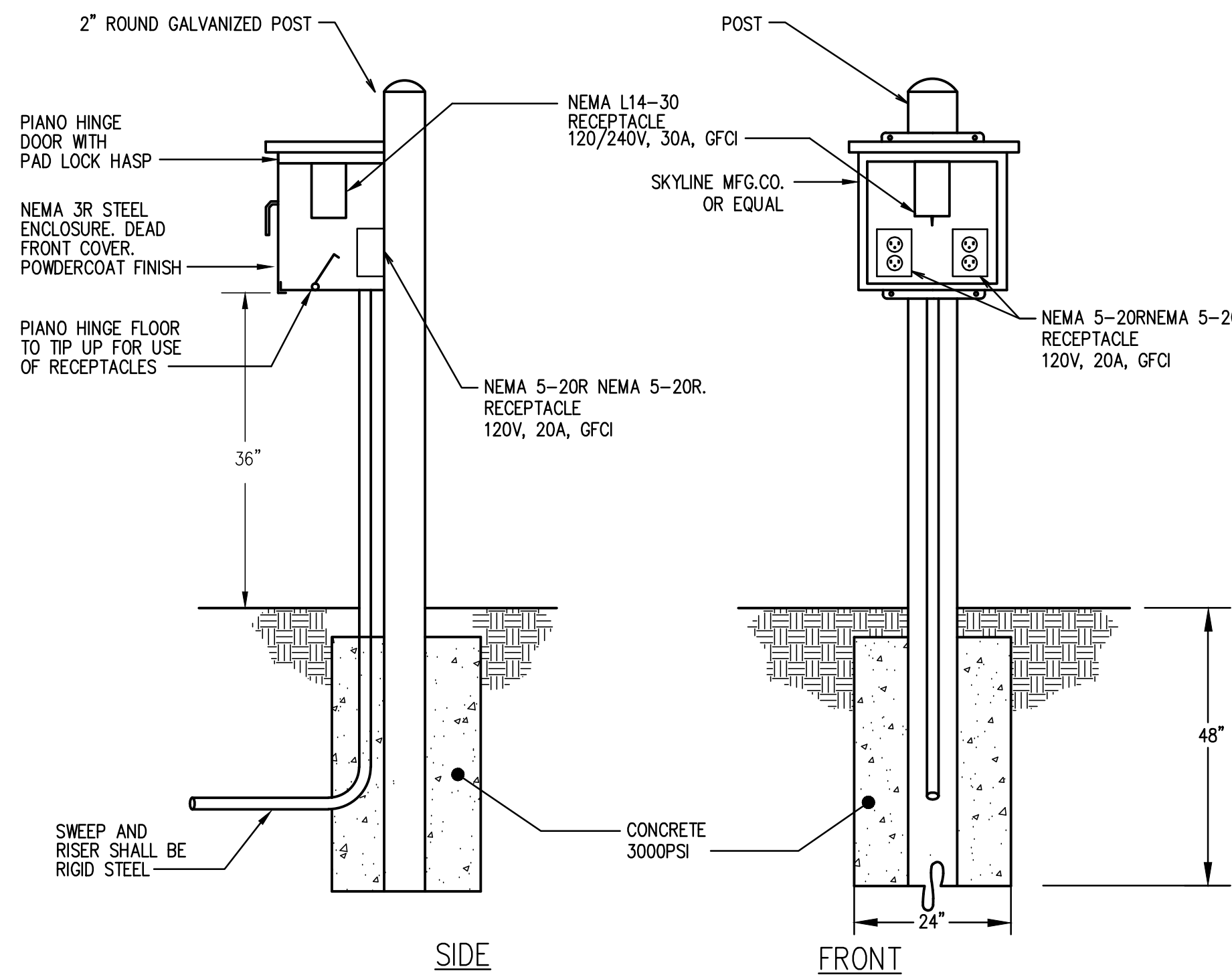


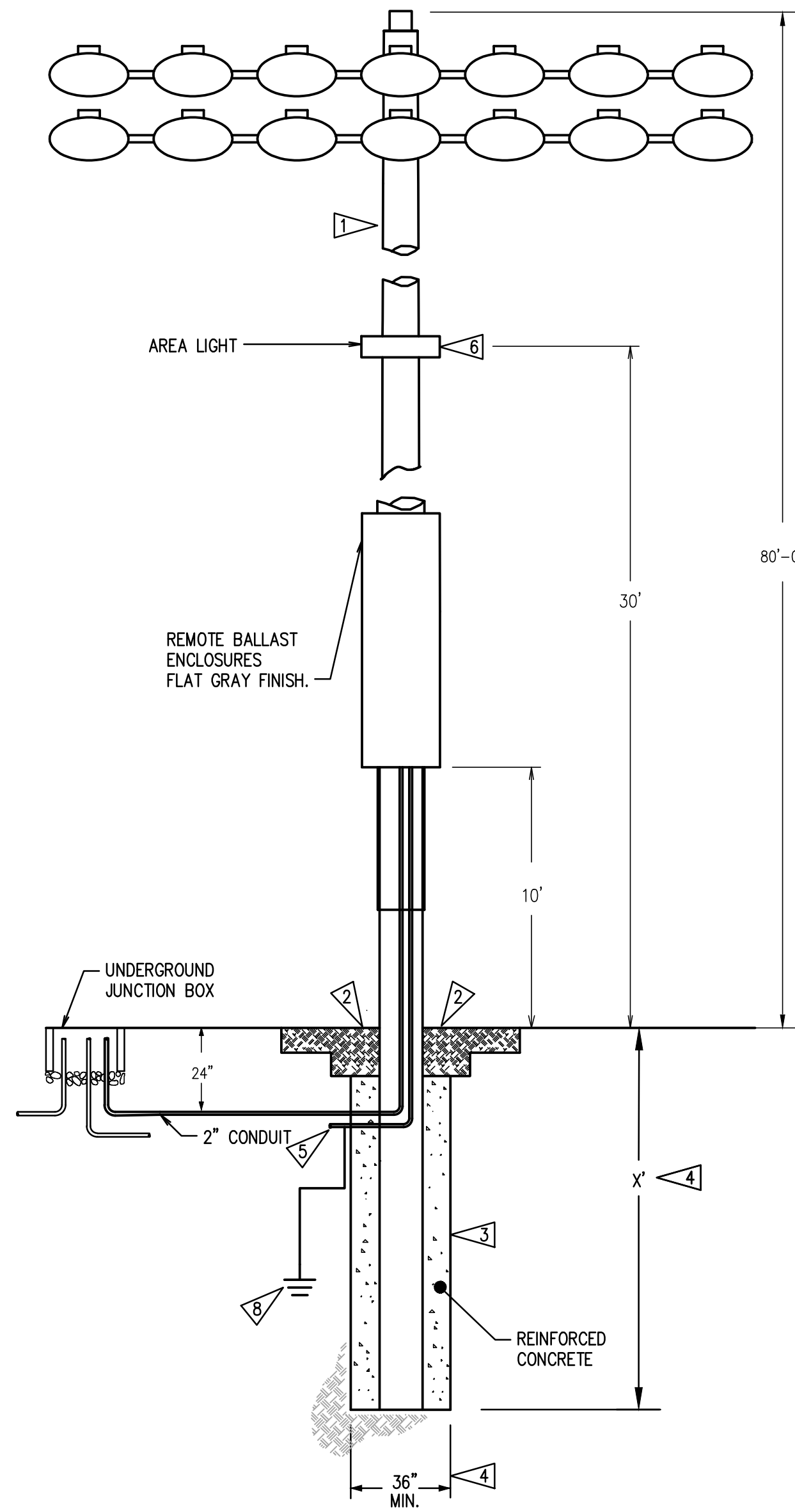
FRONT VIEW

SIDE VIEW

1 PEDESTAL DETAIL  
SCALE: NONE



2 TRACK POWER BOX MOUNTING DETAIL  
SCALE: NONE

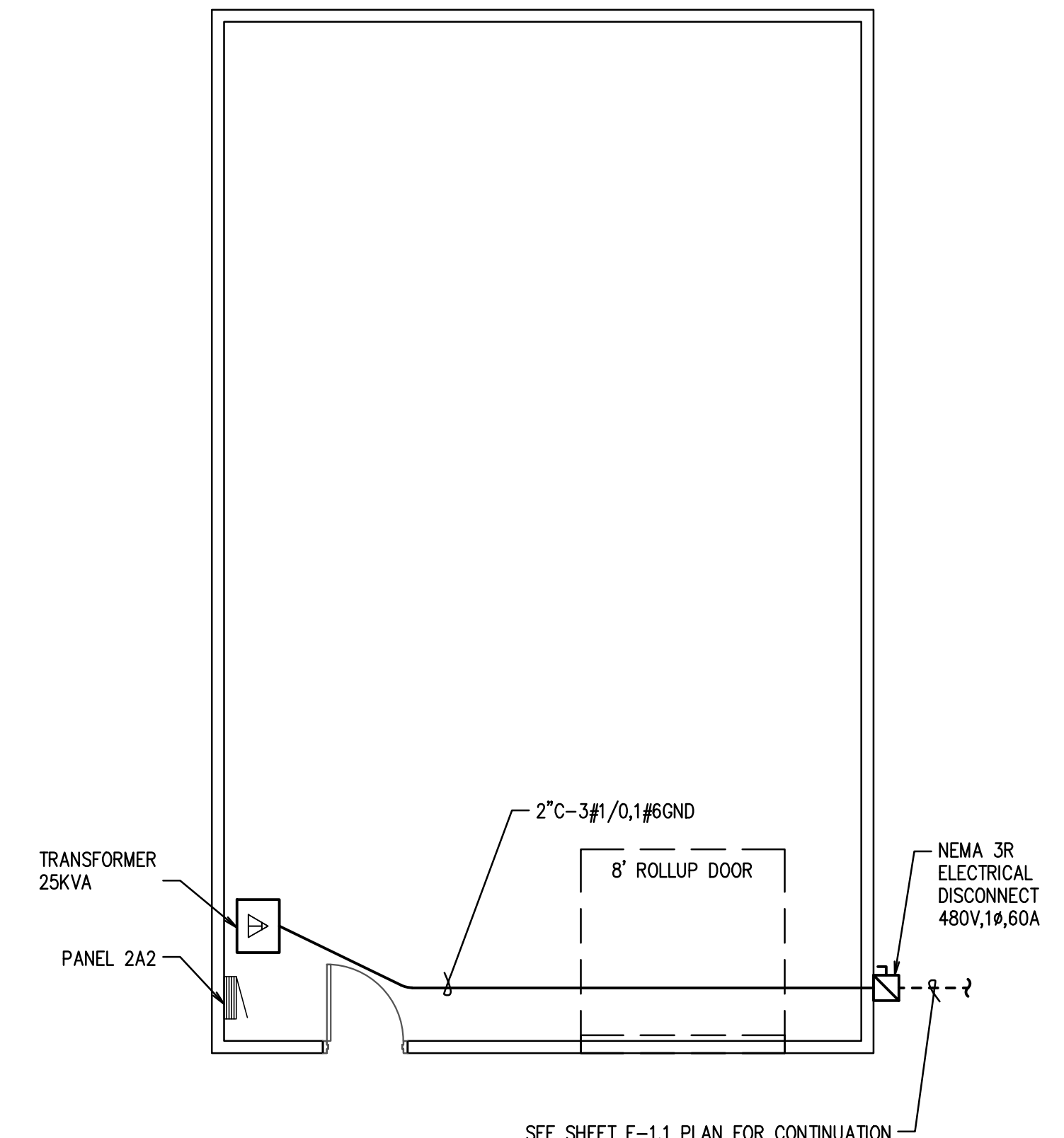


3 FLOODLIGHT POLE DETAIL  
SCALE: NONE

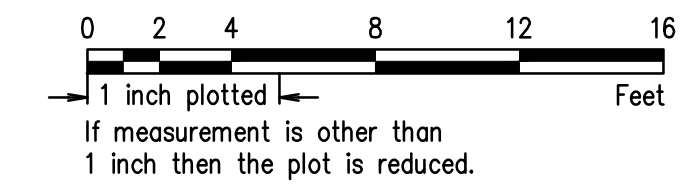
- LEGEND:**
- ⊕ 120 VOLT DUPLEX RECEPTACLE
  - ▭ PANELBOARD
  - ⊡ ELECTRICAL TRANSFORMER
  - ⊡ ELECTRICAL DISCONNECT
  - ⊡ LIGHT SWITCH WITH OCCUPANCY SENSOR
  - ⊕ PHOTOCELL CONTROL
  - EXPOSED RACEWAY
  - - - UNDERGROUND RACEWAY

- LIGHTING FIXTURE SCHEDULE**
- 1 LED SURFACE MOUNT LIGHT FIXTURE, VANDAL RESISTANT, NOMINALLY 4"x48", 120 VOLT, 43 WATT LED. LIGHT EDGE, VMOONSOON SERIES, VMONI.
  - 2 LED SURFACE WALL MOUNT LIGHT FIXTURE, VANDAL RESISTANT, NOMINALLY 9"x9", 120 VOLT, 26 WATT LED. MOUNT FIXTURE AT +10' A.F.F. AT CENTER OF DOOR. KENALL FN9L-3-7-DB-26L40K-1-120V

- FLAG NOTES:**
- 1 SUPPLIER OF GALVANIZED STEEL POLE TO PROVIDE STRUCTURAL CALCULATIONS FROM A LICENSED STRUCTURAL ENGINEER REGISTERED IN THE STATE OF OREGON. CALCULATION TO INCLUDE WIND AND SEISMIC LOADS PER IBC 2012. SUBMIT WITH MANUFACTURER SHOP DRAWINGS DURING SUBMITTAL PHASE OF PROJECT.
  - 2 PROVIDE MOW STRIP AT TOP OF FOUNDATION. SMOOTH FINISH CONCRETE AND SET AT GRADE. CONDUIT RISER SHALL BE INSTALLED FLUSH TO POLE PRIOR TO POURING CONCRETE.
  - 3 CONTRACTOR TO REFER TO SOILS REPORT IN PROJECT MANUAL TO ASSESS CONDITIONS AFFECTING DRILLING FOR INSTALLATION OF POLE FOUNDATIONS.
  - 4 POLE FOUNDATION CALCULATIONS TO BE PROVIDED BY CONTRACTOR. CALCULATIONS TO BE PROVIDED BY A LICENSED STRUCTURAL ENGINEER REGISTERED IN THE STATE OF OREGON.
  - 5 PROVIDE 2" CONDUIT UP FLOODLIGHT POLE. EXTEND CONDUIT TO ADJACENT COMM JUNCTION BOX.
  - 6 COORDINATE LOCATION OF BRACKET WITH POLE MANUFACTURER.
  - 7 PROVIDE 2' LED STRIPLIGHT WITH DOOR CONTACT SWITCH.
  - 8 PROVIDE POLE GROUNDING PER NEC 410.30 (B) AND POLE MANUFACTURER RECOMMENDATIONS.



4 ELECTRICAL PLAN - SHED  
SCALE: 3/16" = 1'-0"



**AUSLAND GROUP**

www.AuslandGroup.com

Ashland 541.482.0923  
Eugene 541.345.1094  
Grants Pass 541.476.3788  
Medford 541.773.3387

**DA HOGAN**

228 2nd Avenue South, Suite 120  
Seattle, Washington 98104  
P: 206.285.0900  
F: 206.285.0480

Director Decision Date:	N/A
First Submittal Date:	
Second Submittal Date:	
City Approval Date:	
Drawn By:	AAU
Designed By:	RRK
Checked By:	CBF, JED
Approved:	
Rev 1:	
Rev 2:	
Rev 3:	
As-Built:	

**OREGON TECH TRACK AND SOCCER PROJECT**

CONSTRUCTION DOCUMENTS

MAP NO. 38-09-00, TAX LOT 4-900

3201 CAMPUS DRIVE, KLAMATH FALLS, OREGON

CITY PROJECT NO. OIT-270-P-13-17

VERIFY SCALES

ORIGINAL DRAWING  
DATE IS ONE INCH ONLY

IF ANY ONE INCH ON THIS SHEET, ADJUST SCALE AS ACCORDINGLY

REGISTERED PROFESSIONAL ENGINEER

150278

OREGON

JUL 25 1990

LAUREN E. DEBRAY

EXPIRES 12-31-2015

**SPARLING**

WORK TOGETHER | STAND APART™

**811**

Know what's below.  
Call before you dig.

**E-2.1**

Electrical Details & Schedules

J:\186530\CAD-BIM\21 Feb 05, 2015 8:33 AM By:RKATAYA  
Plot Date: Feb 05, 2015 8:33am  
Plot Size: 11x17 in