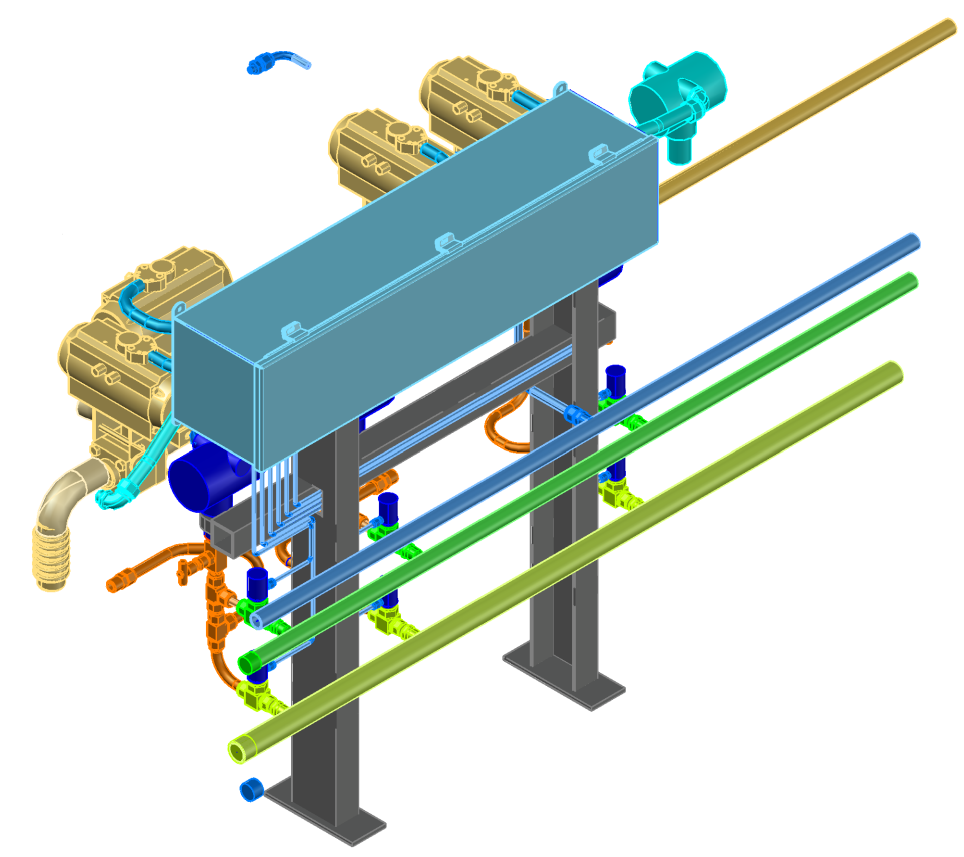
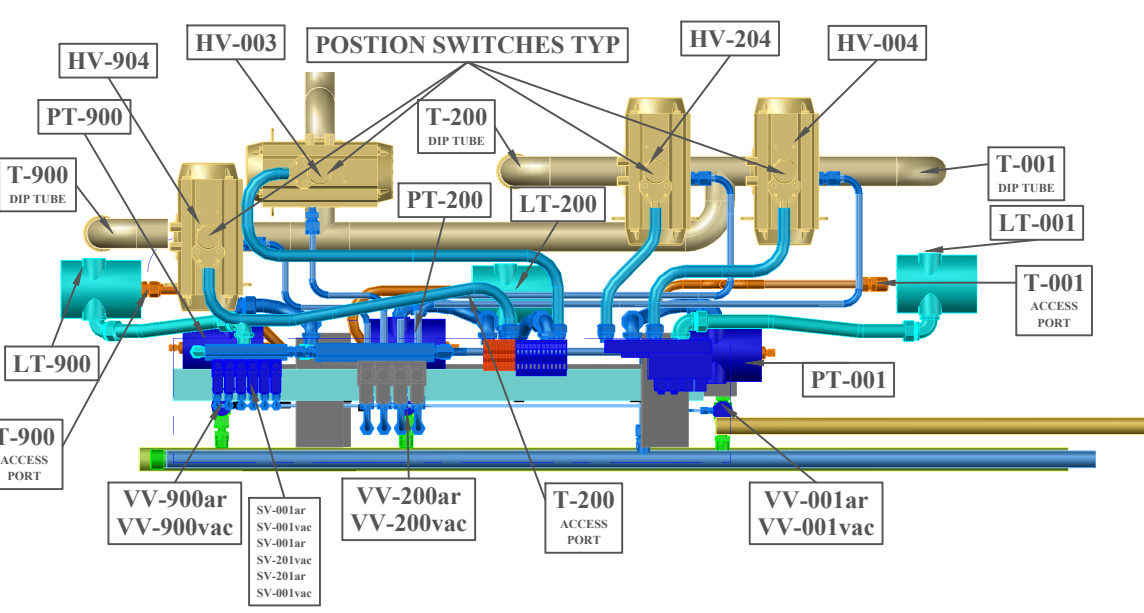
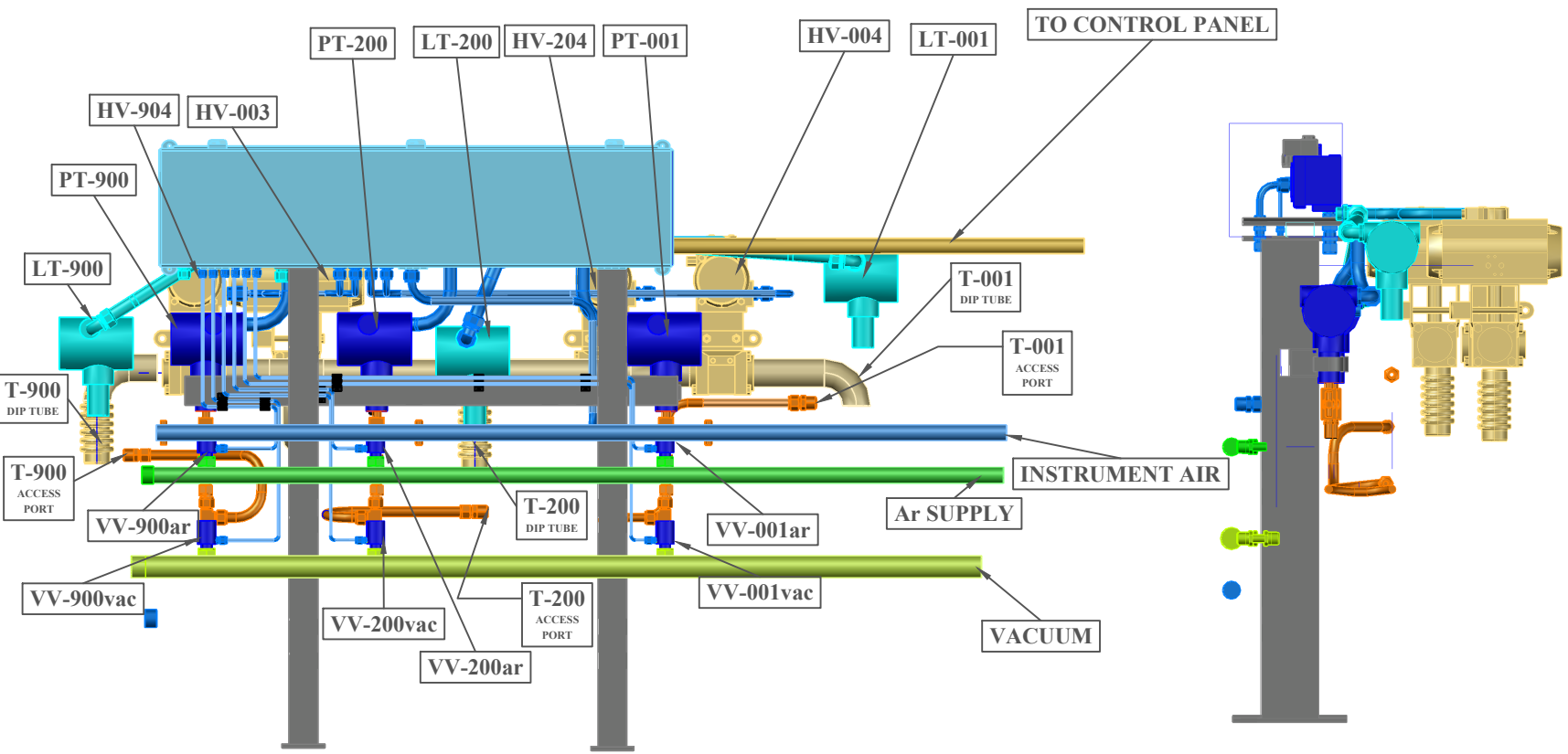
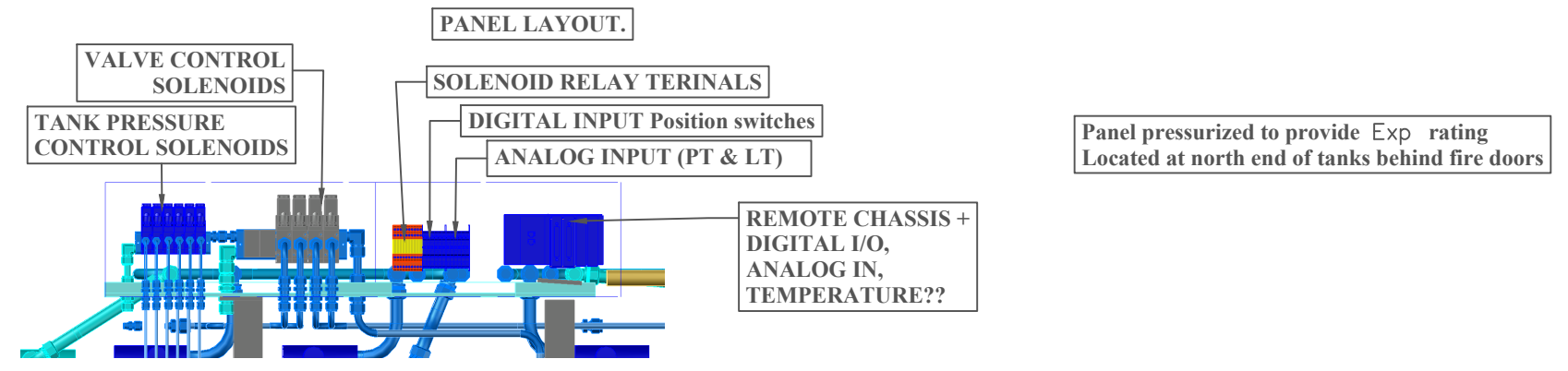


REVISIONS			
REV	DATE	DESCRIPTION	APPROVED



OSU OREGON STATE UNIVERSITY
 NUCLEAR SCIENCE & ENGINEERING THERMAL HYDRAULICS
 SCHOOL OF NUCLEAR SCIENCE AND ENGINEERING
 RADIATION CENTER, CORVALLIS, OREGON 97331
 TELEPHONE: (541) 737-2341 FAX: (541) 737-0480

SoFIE

DRAWN BY A. WEISS	DATE 05/03/2023	TITLE TANK CONTROLS LAYOUT		REV 0
REVIEWED BY T.K. HOWARD	DATE 05/03/2023	SIZE B	DWG NO. OSU-SOFIE-100000-DWG-001	
APPROVED BY W. MARCUM	DATE 05/04/2023	SCALE AS NOTED	PROJECT SODIUM FLOW INVESTIGATION EXPERIMENT	PAGE 1 OF 1