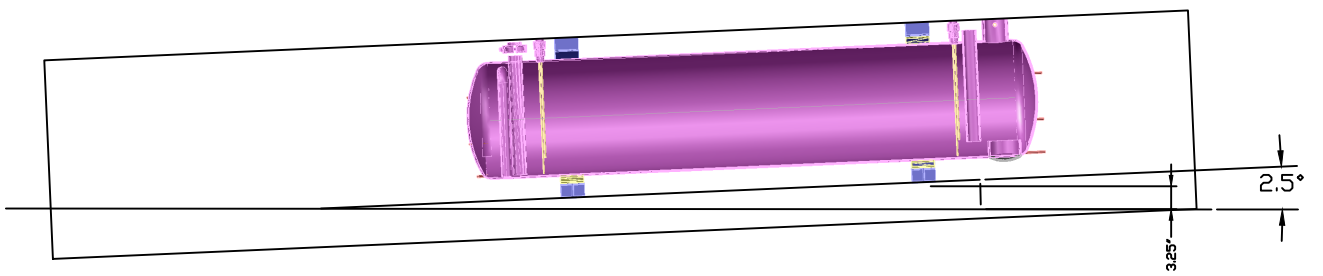
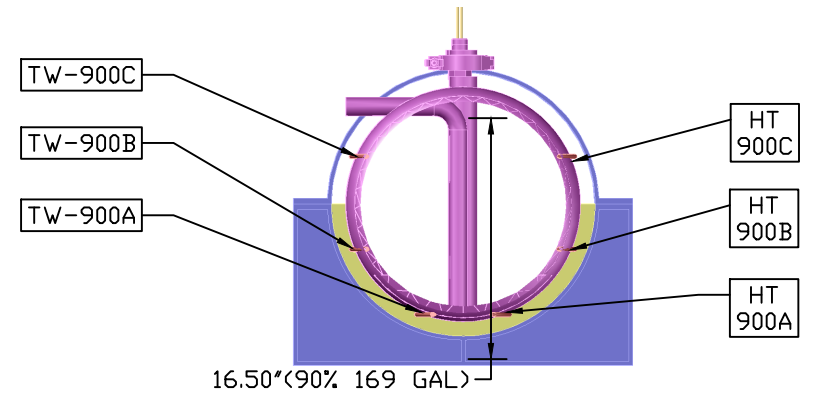
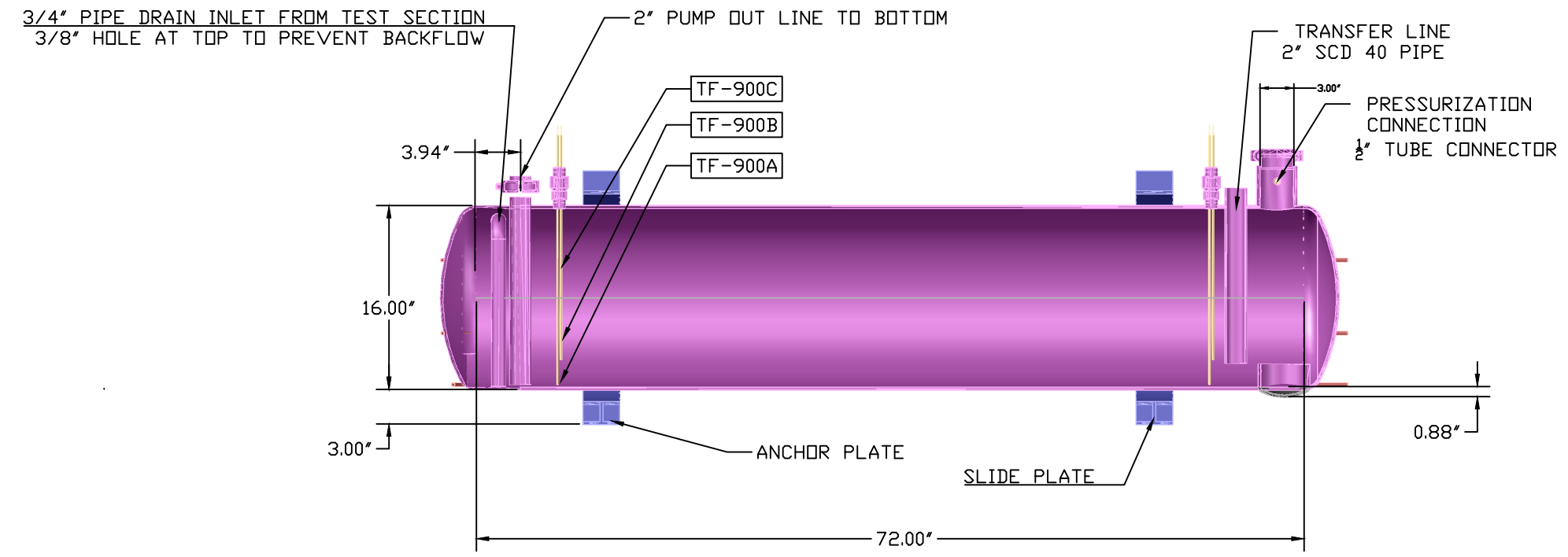
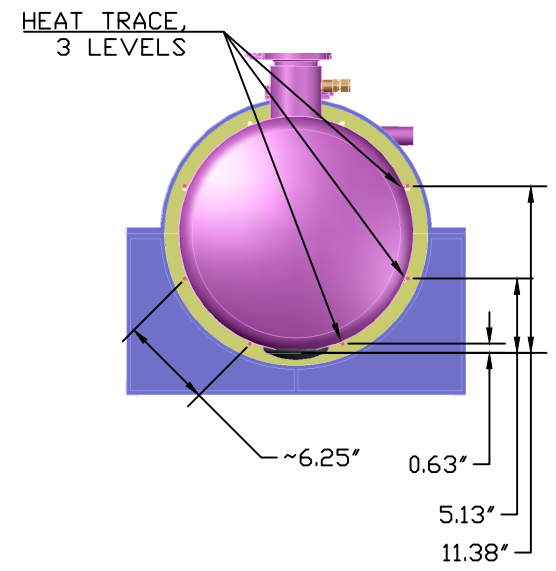
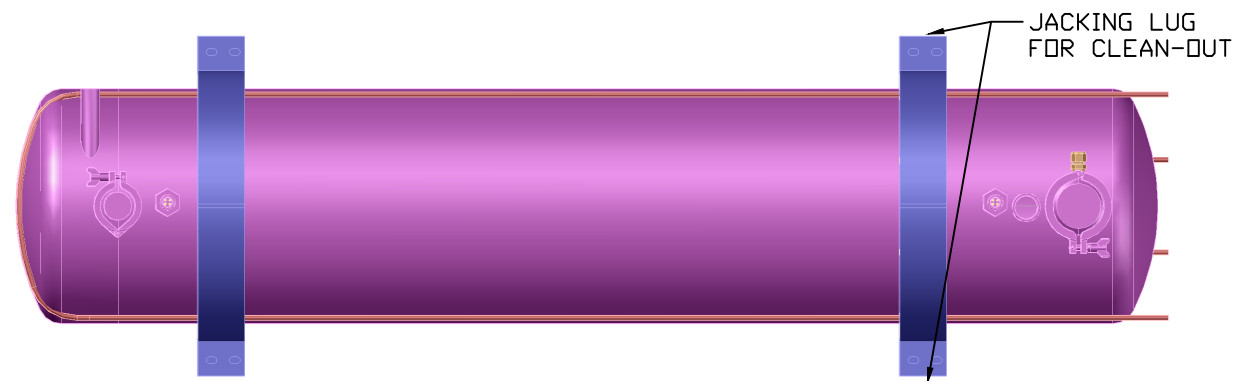


REVISIONS			
REV	DATE	DESCRIPTION	APPROVED
1	-	UPDATED TO REFLECT NEW DESIGN	W. MARCUM



OSU OREGON STATE UNIVERSITY
 ADVANCED THERMAL HYDRAULIC RESEARCH LABORATORY
 SCHOOL OF NUCLEAR SCIENCE AND ENGINEERING
 RADIATION CENTER, CORVALLIS, OREGON 97331
 TELEPHONE: (541) 737-2341 FAX: (541) 737-0480

SoFIE

DRAWN BY A. WEISS	DATE 5/3/2023	TITLE SODIUM RECOVERY TANK	
REVIEWED BY T.K. HOWARD	DATE 5/3/2023	SIZE B	DWG NO. OSU-SOFIE-420900-DWG-001
APPROVED BY W. MARCUM	DATE 5/4/2023	SCALE AS NOTED	PROJECT SODIUM FLOW INVESTIGATION EXPERIMENT
			PAGE 1 OF 1