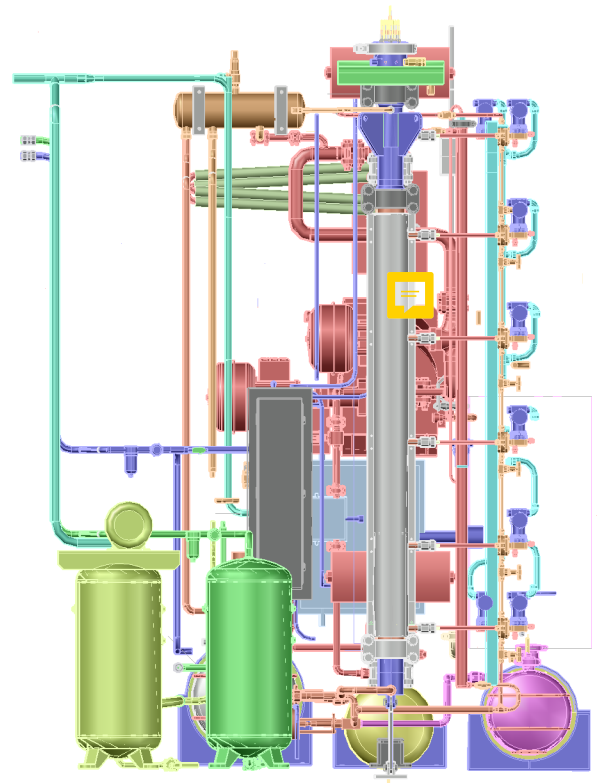
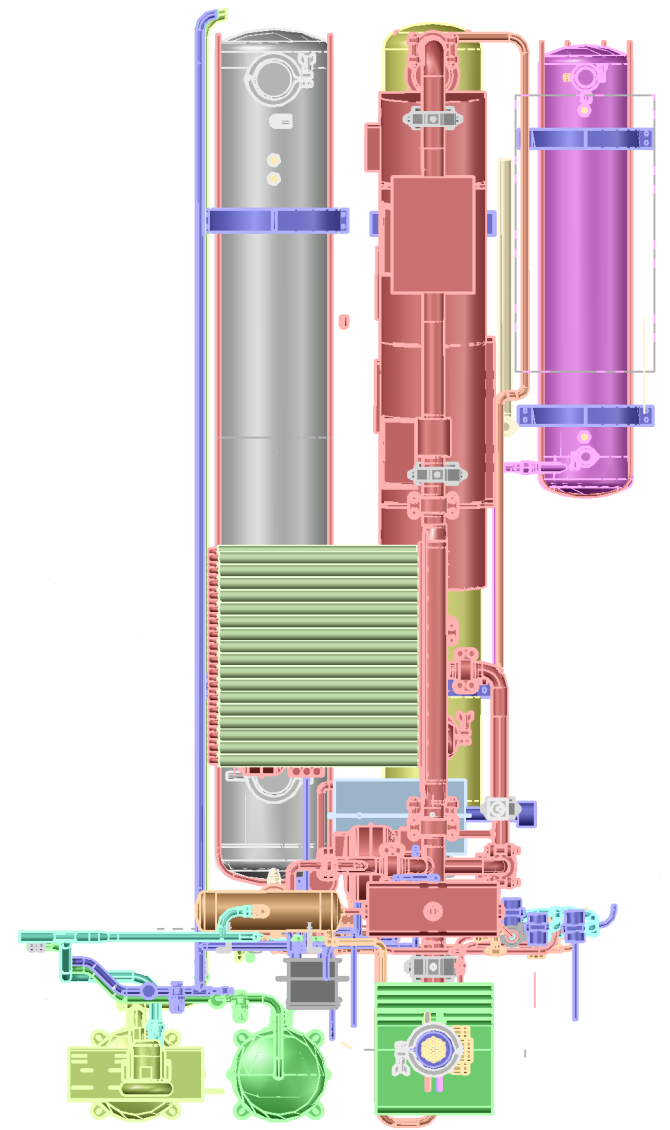
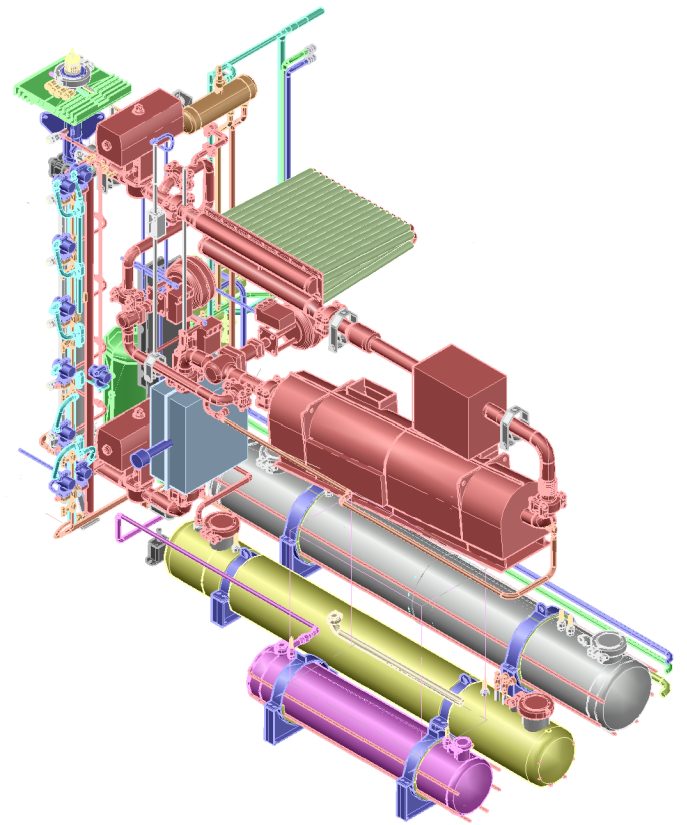



1 2 3 4 5 6 7 8

REVISIONS			
REV	DATE	DESCRIPTION	APPROVED



 Oregon State UNIVERSITY	NUCLEAR SCIENCE & ENGINEERING THERMAL HYDRAULICS SCHOOL OF NUCLEAR SCIENCE AND ENGINEERING OREGON STATE UNIVERSITY RADIATION CENTER, CORVALLIS, OREGON 97331 TELEPHONE: (541) 737-2341 FAX: (541) 737-0480			<h1>SoFIE</h1>
	DRAWN BY A. WEISS	DATE 05/03/2023	TITLE PIPING LAYOUT	
REVIEWED BY T.K. HOWARD	DATE 05/03/2023	SIZE B	DWG NO. OSU-SOFIE-200000-DWG-001	REV 0
APPROVED BY W. MARCUM	DATE 05/04/2023	SCALE AS NOTED	PROJECT SODIUM FLOW INVESTIGATION EXPERIMENT	PAGE 1 OF 1

1 2 3 4 5 6 7 8