



**OREGON STATE UNIVERSITY
REQUEST FOR QUOTE (RFQ)**

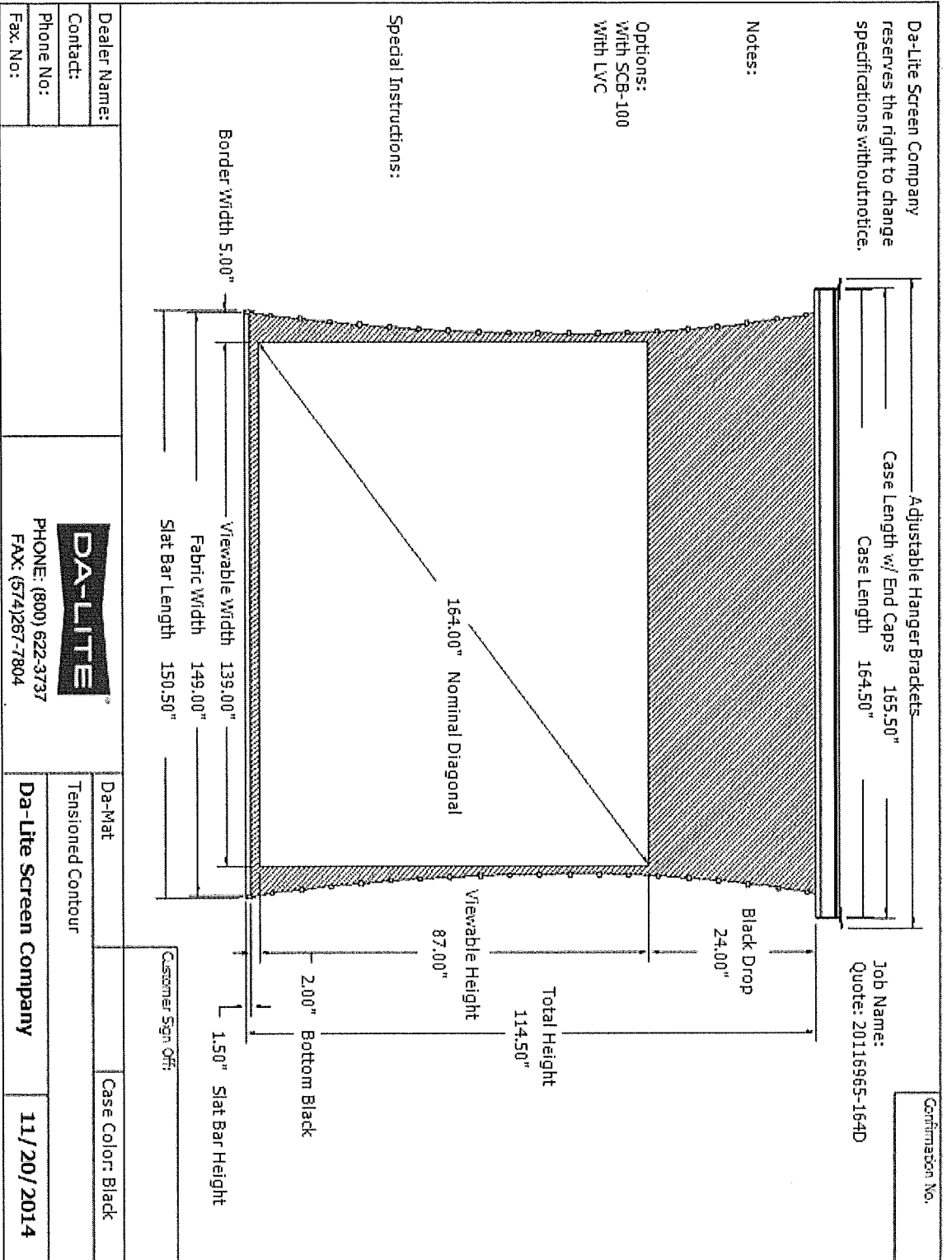
		ISSUE DATE:	12-3-2014		
RFQ #	ML173888Q		RFQ DUE DATE:	12-12-2014 @ 2:00 PM	
DELIVER TO:			REQUESTED BY / RETURN QUOTE TO:		
DEPARTMENT:	IS Academic Technology		NAME:	Mark Lessel	
ADDRESS:	109 Kidder Hall		E-MAIL:	Mark.lessel@oregonstate.edu	
CITY, STATE ZIP:	Corvallis, OR, 97331		TELEPHONE:	541-737-3667	
REQUIRED DELIVERY DATE:	12-30-2014		FAX:	541-737-2170	
ITEM	DESCRIPTION	QTY	UNIT	UNIT PRICE	TOTAL PRICE
1	BIAMP Digital Signal Processor 4-In/8-Out - NEXA SP	1	EA		
2	BIAMP Volume Controller - VOLUME/SELECT8	3	EA		
3	Chief Elite Projector Mount Kit w/Key Lock - RPMA6500	1	EA		
4	Crestron Control Port Expansion Module - C2N-IO	1	EA		
5	Crestron DigitalMedia 8G+ Receiver/Room Control - DM-RMC-100-C	2	EA		
6	Crestron Wall Plate DigitalMedia 8G+ Transmitter - DM-TX-200-C-2G	1	EA		
7	Crestron DigitalMedia Presentation System - DMPS-300-C	1	EA		
8	Crestron Media Presentation Wall Plate - HDMI - MP-WP152	20	EA		
9	Crestron Media Presentation Controller M10 - MPC-M10	20	EA		
10	Crestron 90 Watt Power Pack for DMPS - PW-4818DU	1	EA		
11	Crestron PoE Injector - PWE-4803RU	1	EA		
12	Crestron 4-inch Designer Touch Screen - TPMC-4SMD	1	EA		
13	Crown 8 input Dual 80W Audio Mixer/Amp - 280 MA	1	EA		
14	Crown CT Series Amplifier - CTs 4200	1	EA		
15	Crown Audio Amp/Mixer 1160 MA	1	EA		
16	Tensioned Contour Electrol Screen w/SCB100 - 37612LRC (See Attachment A & B for Screen Drawings)	1	EA		
17	LG 47-inch LED Display - 47LS3A-5DC	1	EA		
18	LG 55-inch Touch Screen Display - 55WT300MS-B	1	EA		
19	LG 60-inch LED Display - 60WL30MS-D	22	EA		
20	Lowell AV Rack - LPOR2-719	4	EA		
21	Panasonic 1-Chip DLP Projector - PT-DZ70ULS	1	EA		
22	Panasonic Lens - ET-DLE150	1	EA		
23	Panasonic Replacement Lamp for PT-DZ770 - ET-LAD60AW	2	EA		
24	Sharp 90-inch Display - LC-90LE657U	3	EA		
25	Sharp 70-inch Display - PN-E702	4	EA		
26	Snap WattBox IP+ Controllable 3 Outlets - WB-200-IPCE-3	21	EA		
27	Snap WattBox IP+ Controllable 12 Outlet - WB-600-IPVCE-12	1	EA		
28	Vaddio Groupstation Video Conferencing System - 999-8905-000	3	EA		



**OREGON STATE UNIVERSITY
REQUEST FOR QUOTE (RFQ)**

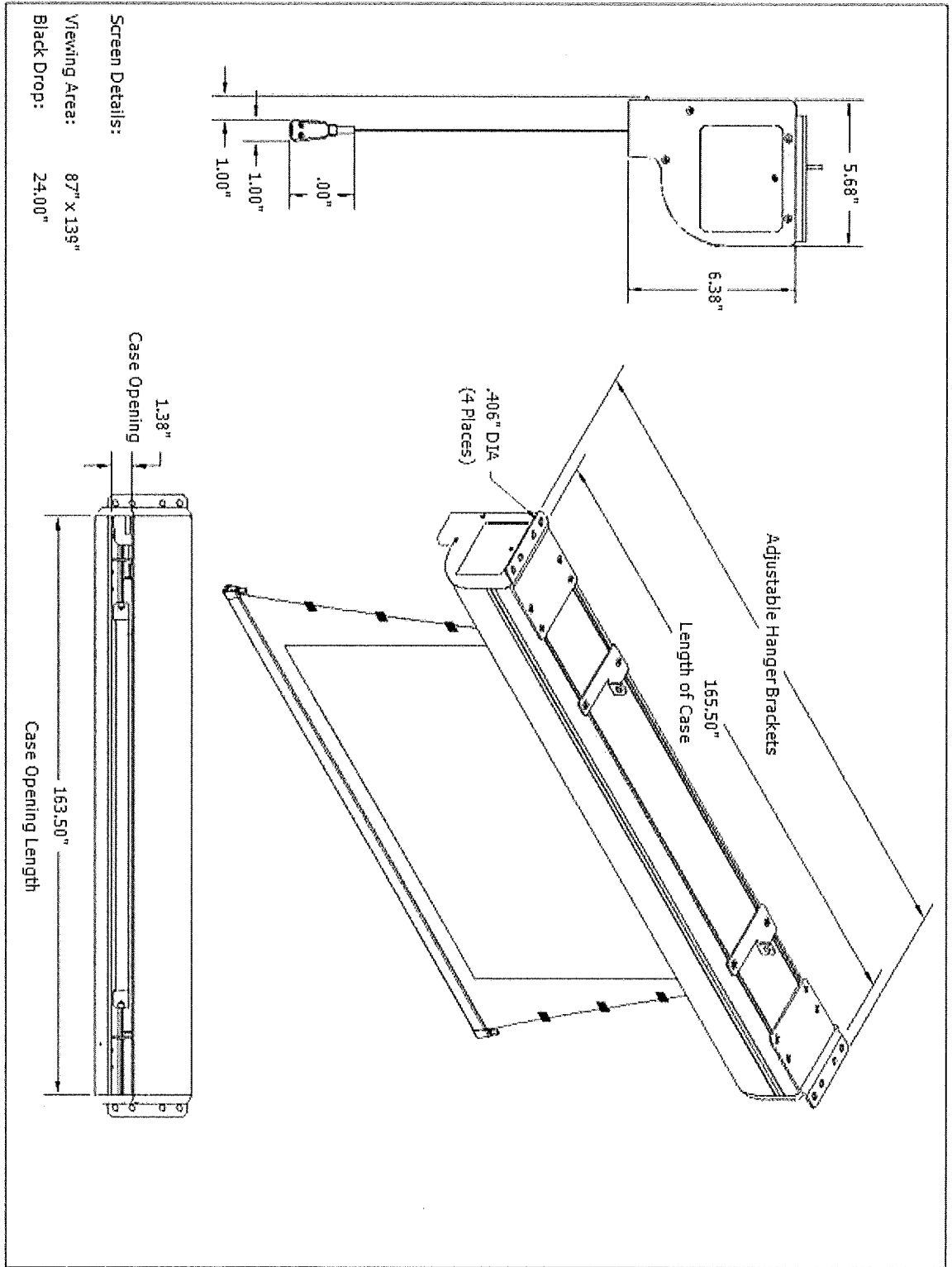
Delivery is f.o.b. destination, prepaid and allowed. Shipping, freight and handling must be included in quoted prices. Additional costs for such are disallowed.		TOTAL	
DELIVERY TIME AFTER RECEIPT OF ORDER:		PRICES VALID THROUGH:	
SPECIAL INSTRUCTIONS: 1. Unless otherwise specified, all items quoted are to be new, unused and not remanufactured in any way. 2. Brand names are for the purpose of describing and establishing the characteristics desired and are not intended to limit or restrict competition. Quoters may submit quotes for substantially equivalent products unless the RFQ provides that a specific brand is necessary because of compatibility requirements, etc. All such brand substitutions shall be subject to approval by OSU. 3. Quoters must clearly identify all products quoted. Brand name and model or number must be shown. 4. Only documents issued as addenda by OSU serve to change the RFQ in any way. 5. OSU reserves the right to make the award by item, partial or whole lots, groups of items or entire quote, whichever is in the best interest of OSU. 6. OSU may reject any Quote not in compliance with the RFQ, attachments, and addenda, or if it is in the best interest of OSU.	VENDOR INFORMATION:		
	COMPANY:		
	ADDRESS:		
	CITY, STATE, ZIP:		
	CONTACT NAME:		
	E-MAIL:		
	TELEPHONE:		
	FAX:		
	VENDOR SIGNATURE:		
	<i>By signature below the undersigned certifies that they are authorized to act on behalf of the quoter and will comply with all aspects of the quote herein.</i>		
SIGNATURE:			
NAME/TITLE:			

This procurement is subject to the indicated Oregon State University Standard Terms and Conditions for: Goods Services Purchase Order Construction Software. The indicated terms and conditions may be viewed at <http://pacs.oregonstate.edu/terms-and-conditions>



Drawings are not to scale

RFQ ML173888Q Attachment B



Drawings are not to scale