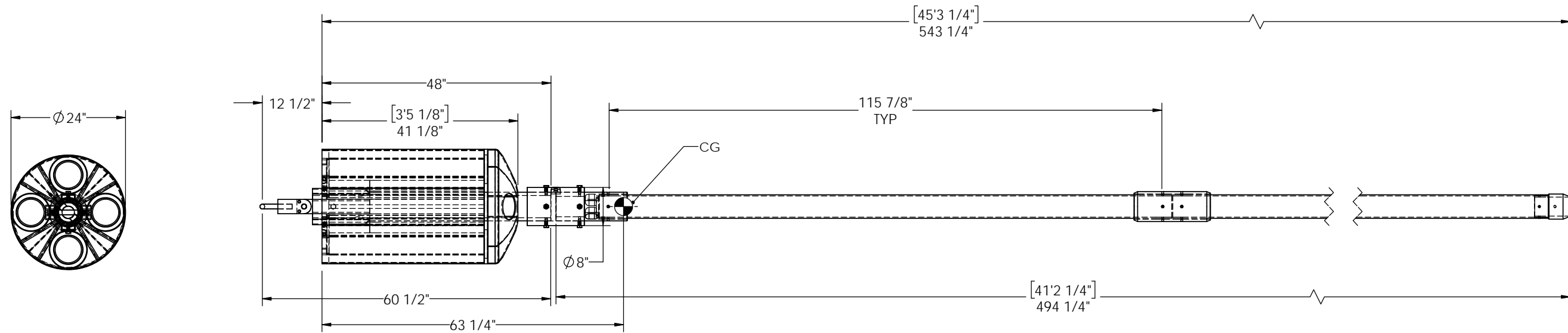


THE INFORMATION CONTAINED IN THIS DRAWING IS THE SOLE PROPERTY OF EINHORN ENGINEERING, PLLC. ANY REPRODUCTION IN PART OR WHOLE WITHOUT THE WRITTEN PERMISSION OF EINHORN ENGINEERING, PLLC IS PROHIBITED.

REVISIONS			
REV.	DESCRIPTION	DATE	DRAFTED
-	RELEASE	2018-06-28	P. ZIMPELMAN

NOTES:

1. GENERAL ARRANGEMENT SKETCH.
2. CONFIGURATION WITH LEAD WEIGHTS AND SEABED SEDIMENT SHOWN ON SHEET 2.
3. SHOWN ARRANGEMENT TO BE USED IN CONJUNCTION WITH BUCKET CONCEPT EINHORN ENGINEERING DWG. RCR-00-D504.



CORE ASSEMBLY
LEAD WEIGHTS AND SEABED SEDIMENT EXCLUDED
ASSEMBLY WEIGHT: 3955.26 LB

ITEM NO.	QTY.	PART NUMBER	DESCRIPTION	MATERIAL	WEIGHT (LBS)
6	1	16279/C/001	PISTON CORE CUTTER	STEEL	13.05
5	3	17527/C/003	PISTON CORE BARREL COUPLER	SS 316	39.12
4	1	16371/001/C	SLOTTED PISTON CORE COUPLER	SS 316	49.877
3	4	17387/C/010	PISTON CORE PIPE	STEEL	119.355
2	1	17369/A/001	MEGA COUPLER	SS 316	77.08
1	1	17387/A/006	CORE WEIGHT STAND	SS 304	3220.48

UNLESS OTHERWISE SPECIFIED DIMENSIONS ARE IN INCHES		APPROVALS	DATE	EINHORN ENGINEERING, PLLC SEATTLE, WA 98115	
TOLERANCES: .X ± .06 .XX ± .03 .XXX ± .010 FRACTIONS ± 1/16 ANGLES ± .5° FILLET: .03 MAX SURFACE FINISH: 125		DRAWN P. ZIMPELMAN	2014-05-08	RCRV LONG CORE JUMBO PISTON CORE ASSY	
CAD GENERATED DO NOT SCALE DRAWING		CHECKED M. EINHORN	X	WEIGHT 3955.26 LBS	SIZE D
		ENGR M. EINHORN	X	MATERIAL	CAGE CODE 561S7
		FINISH		SCALE:1:2	DWG. NO. RCR-02-D500
					REV. -
					SHEET 1 OF 2

16

15

14

13

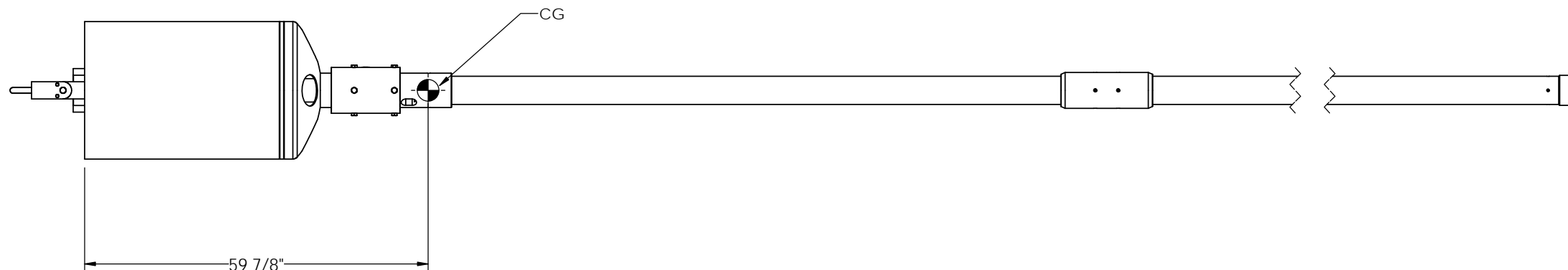
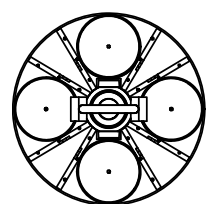
12

11

10

9

THE INFORMATION CONTAINED IN THIS DRAWING IS THE SOLE PROPERTY OF EINHORN ENGINEERING, PLLC. ANY REPRODUCTION IN PART OR WHOLE WITHOUT THE WRITTEN PERMISSION OF EINHORN ENGINEERING, PLLC, IS PROHIBITED.



CORE ASSEMBLY WITH LEAD WEIGHTS AND SEABED SEDIMENT
ASSEMBLY WEIGHT: 6877.08 LB

8	1	N/A	SEABED SEDIMENT	SEABED SEDIMENT	0.07	384.26
7	136	N/A	WEIGHT, LEAD	LEAD	0.41	18.66
6	1	16279/C/001	PISTON CORE CUTTER	STEEL	N/A	13.05
5	3	17527/C/003	PISTON CORE BARREL COUPLER	SS 316	N/A	39.12
4	1	16371/001/C	SLOTTED PISTON CORE COUPLER	SS 316	N/A	49.877
3	4	17387/C/010	PISTON CORE PIPE	STEEL	N/A	119.355
2	1	17369/A/001	MEGA COUPLER	SS 316	N/A	77.08
1	1	17387/A/006	CORE WEIGHT STAND	SS 304	N/A	3220.48
ITEM NO.	QTY.	PART NUMBER	DESCRIPTION	MATERIAL	DENSITY (LB/IN ³)	WEIGHT (LBS)

CAD GENERATED
DO NOT SCALE DRAWING

SIZE D	CAGE CODE 56157	DWG. NO. RCR-02-D500	REV. -
SCALE:1:2		SHEET 2 OF 2	

RCR-02-D500

16

15

14

13

12

11

10

9