



**OREGON STATE UNIVERSITY
REQUEST FOR QUOTE (RFQ)**

		ISSUE DATE:	6-24-2014
RFQ #	ML170701Q	RFQ DUE DATE:	6-27-2014 @3:00 PM
DELIVER TO:		REQUESTED BY / RETURN QUOTE TO:	
DEPARTMENT:	MU-Building Services	NAME:	Mark Lessel
ADDRESS:	112 Memorial Union Bldg.	E-MAIL:	Mark.lessel@oregonstate.edu
CITY, STATE ZIP:	Corvallis, OR 97331	TELEPHONE:	541-737-3667
REQUIRED DELIVERY DATE:	7-30-2014	FAX:	541-737-2170

ITEM	DESCRIPTION	QTY	UNIT	UNIT PRICE	TOTAL PRICE
1	ROCMO Entry Set Per Drawing Attached (3" X 91/4" Custom OSU Trim) w/Standard Lockset & Handle (29 left hand, 13 right hand, 4 left hand reverse, & 11 right hand reverse)	57	EA		
2	ROCMO Entry Set Per Drawing Attached (3" X 91/4" Custom OSU Trim) w/Double Entry turn key on both sides (1 left hand, 2 right hand reverse, & 2 right hand)	5	EA		
3	ROCMO Entry Set Per Drawing Attached (3" X 91/4" Custom OSU Trim) w/2.25 thick offset, (6 left hand)	6	EA		
4	ROCMO Passage Set Per Drawing Attached (3" X 91/4" Custom OSU Trim) w/no locking mechanism (latch only) (1 right hand, 2 left hand & 1 right hand reverse)	4	EA		
5	ROCMO Custom Strike plates Per Drawing Attached (3" X 91/4" Custom OSU Trim)	72	EA		
6	ROCMO Template Fee Per Drawing Attached (3" X 91/4" Custom OSU Trim)	1	EA		
	ADA Requirement that the Thumb Turn Latch needs to Lock & Unlock w/5 LBS of Force or less.				
	BRAND SPECIFIC-NO SUBSTITUTIONS.SHIPPING COSTS MUST BE ADDED TO ITEMS				

Delivery is f.o.b. destination, prepaid and allowed. Shipping, freight and handling must be included in quoted prices. Additional costs for such are disallowed. TOTAL

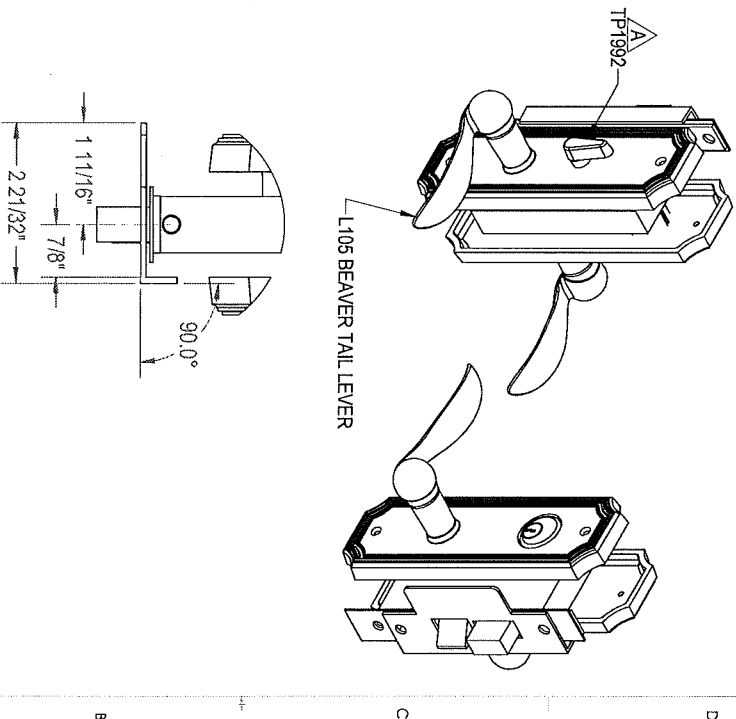
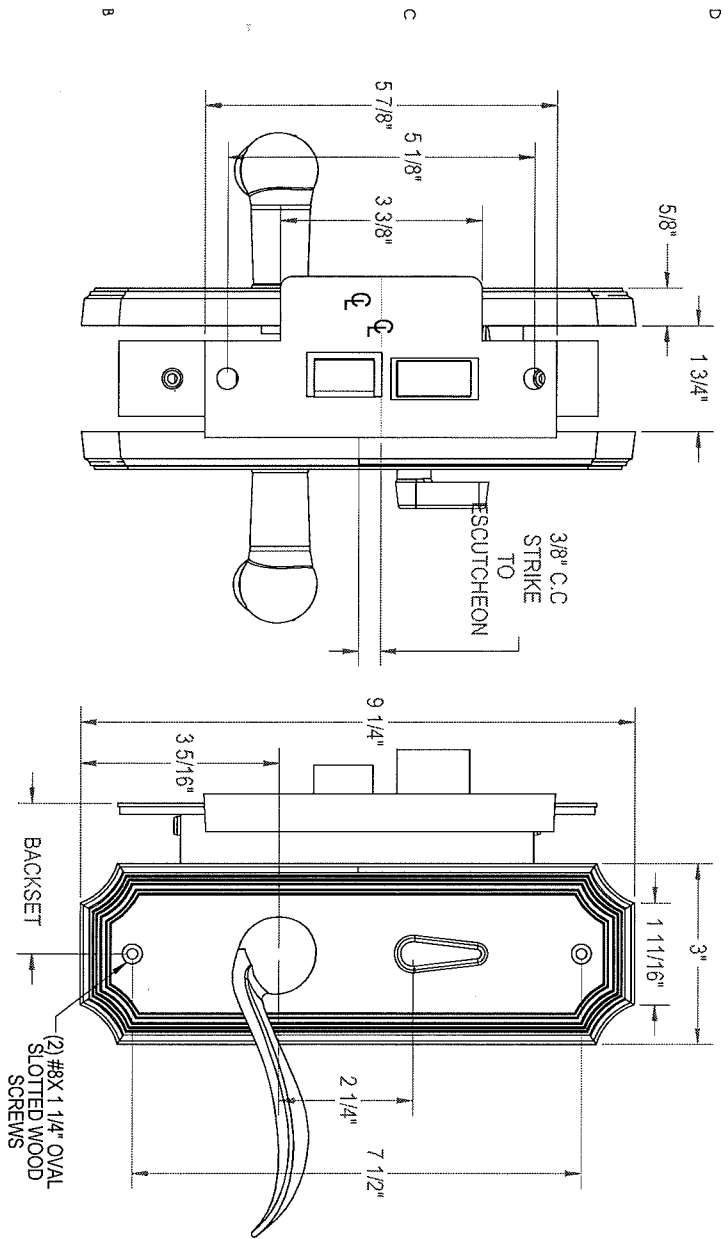
DELIVERY TIME AFTER RECEIPT OF ORDER:	PRICES VALID THROUGH:
---------------------------------------	-----------------------

SPECIAL INSTRUCTIONS: 1. Unless otherwise specified, all items quoted are to be new, unused and not remanufactured in any way. 2. Brand names are for the purpose of describing and establishing the characteristics desired and are not intended to limit or restrict competition. Quoters may submit quotes for substantially equivalent products unless the RFQ provides that a specific brand is necessary because of compatibility requirements, etc. All such brand substitutions shall be subject to approval by OSU. 3. Quoters must clearly identify all products quoted. Brand name and model or number must be shown. 4. Only documents issued as addenda by OSU serve to change the RFQ in any way. 5. OSU reserves the right to make the award by item, partial or whole lots, groups of items or entire quote, whichever is in the best interest of OSU. 6. OSU may reject any Quote not in compliance with the RFQ, attachments, and addenda, or if it is in the best interest of OSU.	VENDOR INFORMATION:	
	COMPANY:	
	ADDRESS:	
	CITY, STATE, ZIP:	
	CONTACT NAME:	
	E-MAIL:	
	TELEPHONE:	
	FAX:	
	VENDOR SIGNATURE:	
	<i>By signature below the undersigned certifies that they are authorized to act on behalf of the quoter and will comply with all aspects of the quote herein.</i>	
SIGNATURE:		
NAME/TITLE:		

This procurement is subject to the indicated Oregon State University Standard Terms and Conditions for: Goods Services Purchase Order Construction Software. The indicated terms and conditions may be viewed at <http://pacs.oregonstate.edu/terms-and-conditions>

ROCMO Drawing (3" X 9 1/4" Custom OSU Trim)

REV.	DESCRIPTION	DATE	APPROVED
A	ADDED ADA TURNPIECE AND CHANGED STRIKE ANGLE TO 90DEG	5/5/2014	



1. ASSUME SYMMETRIC UNLESS OTHERWISE SPECIFIED.

PRELIMINARY DRAWING ONLY

PROJECT: _____ REVISION: _____

I have carefully reviewed the engineered drawings, and by signing below, I approve the drawings as submitted to me. I understand that if any further modifications, revisions or changes are requested, all expenses incurred in making these changes are my responsibility. I have read, understand, approve and take full responsibility for the previous statements by signing below.

Approval Signature: _____ Date: _____

ROCKY MOUNTAIN

UNLESS OTHERWISE SPECIFIED:
DO NOT SCALE DRAWING
DIMENSIONS ARE IN INCHES

PROPRIETARY AND CONFIDENTIAL
THE INFORMATION CONTAINED IN THIS DRAWING IS THE SOLE PROPERTY OF ROCKY MOUNTAIN HARDWARE. REPRODUCTION IN PART OR AS A WHOLE WITHOUT THE WRITTEN PERMISSION OF ROCKY MOUNTAIN HARDWARE IS PROHIBITED.

DRAWN BY:	MJLM	4/8/14	ROCKY MOUNTAIN
MATERIAL:			
CUSTOMER NAME:	OSU		
DESCRIPTION:	3" X 9 1/4" CUSTOM OSU TRIM		
SIZE:	DRAWING NO.	REV.	
B	OSU CUSTOM TRIM APPROVAL	A	
MADE FROM:	ASSEMBLY		

FILE LOCATION: Z:\CUSTOM\OREGON STATE\ 8 7 6 5 4 3 2 1 SHEET 1 OF 1