



**OREGON STATE UNIVERSITY
REQUEST FOR QUOTE (RFQ)**

ISSUE DATE:	May 17, 2018
RFQ #	DC194660Q
RFQ DUE DATE:	May 24, 2018, 10:00AM PT
DELIVER TO:	
REQUIRED BY / RETURN QUOTE TO:	
DEPARTMENT:	Nuclear Science and Engineering
NAME:	Donna Cain
ADDRESS:	3451 SW Jefferson Way
E-MAIL:	donna.cain2@oregonstate.edu
CITY, STATE ZIP:	Corvallis, OR 97331
TELEPHONE:	541-737-3423
REQUIRED DELIVERY DATE:	
FAX:	541-737-2170

ITEM	DESCRIPTION	QTY	UNIT	UNIT PRICE	TOTAL PRICE
1	HTTF – 416022 HTTF Heater Lower Buss Socket, G348	34	EA		
2	HTTF – 416023 HTTF Lower Junction short, G348	86	EA		
3	HTTF – 416024 HTTF Lower Junction Long, G348	14	EA		
4	HTTF – 416020 HTTF Standard Dog Bone, G348	800	EA		
	Drawings, including specifications, attached to RFQ				

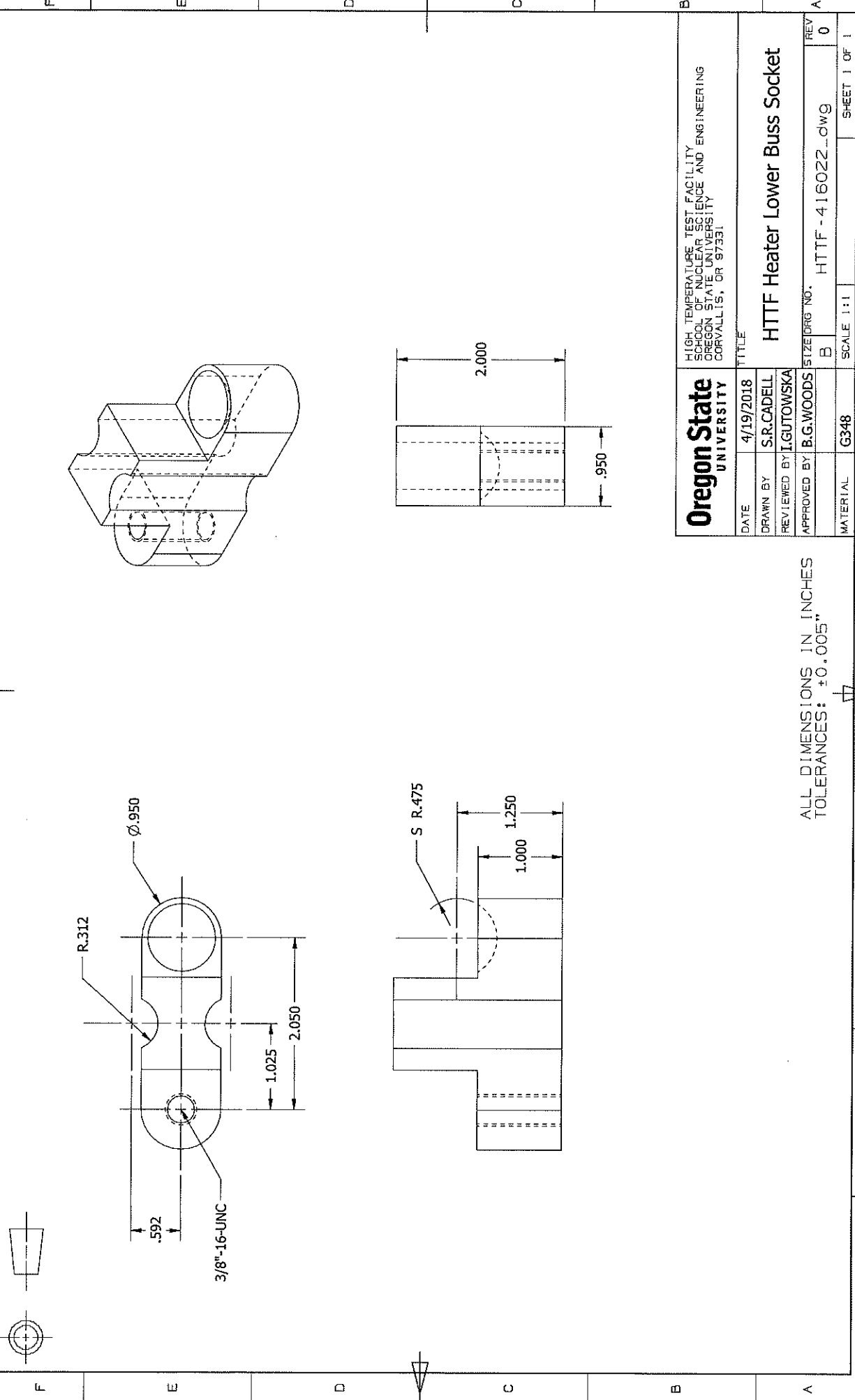
Delivery is f.o.b. destination, prepaid and allowed. Shipping, freight and handling must be included in quoted prices. Additional costs for such are disallowed.

DELIVERY TIME AFTER RECEIPT OF ORDER:		PRICES VALID THROUGH:	
--	--	------------------------------	--

SPECIAL INSTRUCTIONS: 1. Unless otherwise specified, all items quoted are to be new, unused and not remanufactured in any way. 2. Brand names are for the purpose of describing and establishing the characteristics desired and are not intended to limit or restrict competition. Quoters may submit quotes for substantially equivalent products unless the RFQ provides that a specific brand is necessary because of compatibility requirements, etc. All such brand substitutions shall be subject to approval by OSU. 3. Quoters must clearly identify all products quoted. Brand name and model or number must be shown. 4. Only documents issued as addenda by OSU serve to change the RFQ in any way. 5. OSU reserves the right to make the award by item, partial or whole lots, groups of items or entire quote, whichever is in the best interest of OSU. 6. OSU may reject any Quote not in compliance with the RFQ, attachments, and addenda, or if it is in the best interest of OSU. 7. This RFQ form must be completed, signed and returned with all required documents.	VENDOR INFORMATION:	
	COMPANY:	
	ADDRESS:	
	CITY, STATE, ZIP:	
	CONTACT NAME:	
	E-MAIL:	
	TELEPHONE:	
	FAX:	
VENDOR SIGNATURE:		
<i>By signature below the undersigned certifies that they are authorized to act on behalf of the quoter and will comply with all aspects of the quote herein.</i>		
SIGNATURE:		
NAME/TITLE:		

This procurement is subject to the indicated Oregon State University Standard Terms and Conditions for: Goods Services Purchase Order Construction Software. The indicated terms and conditions may be viewed at <http://pacs.oregonstate.edu/terms-and-conditions>

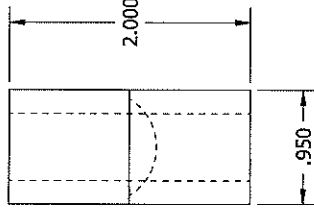
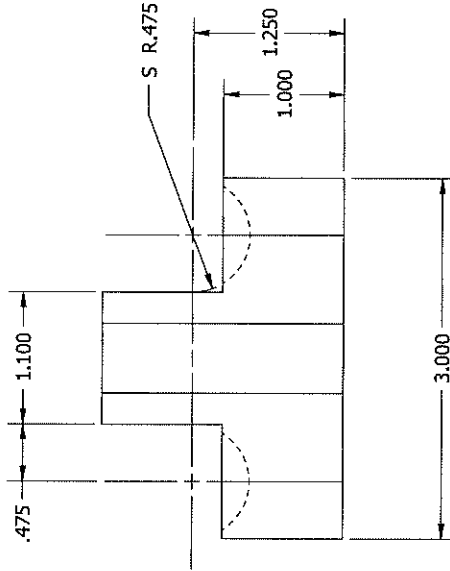
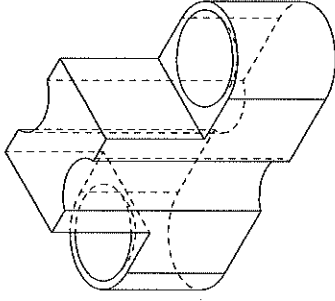
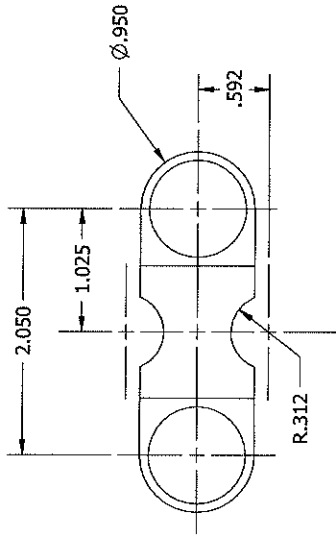
DocuSign Envelope ID: 840EFEBD-459F-401D-A089-57EBDCB8851B



Oregon State University		HIGH TEMPERATURE TEST FACILITY SCHOOL OF NUCLEAR SCIENCE AND ENGINEERING OREGON STATE UNIVERSITY CORVALLIS, OR 97331	
DATE	4/19/2018	TITLE	HTTF Heater Lower Buss Socket
DRAWN BY	S.R.CADELL	SIZE	B
REVIEWED BY	I.GUTOWSKA	DRG NO.	HTTF-416022--dwg
APPROVED BY	B.G.WOODS	REV	0
MATERIAL	G348	SCALE	1:1
	6		7
			8

ALL DIMENSIONS IN INCHES
TOLERANCES: ±0.005"

DocuSign Envelope ID: 840EFEBD-459F-401D-A069-67EBDC88851B



ALL DIMENSIONS IN INCHES
TOLERANCES: ±0.005"

Oregon State
UNIVERSITY

DATE: 4/19/2018
DRAWN BY: S.R.CADELL
REVIEWED BY: J.GUTOWSKA
APPROVED BY: B.G.WOODS

HIGH TEMPERATURE TEST FACILITY
SCHOOL OF NUCLEAR SCIENCE AND ENGINEERING
OREGON STATE UNIVERSITY
CORVALLIS, OR 97331

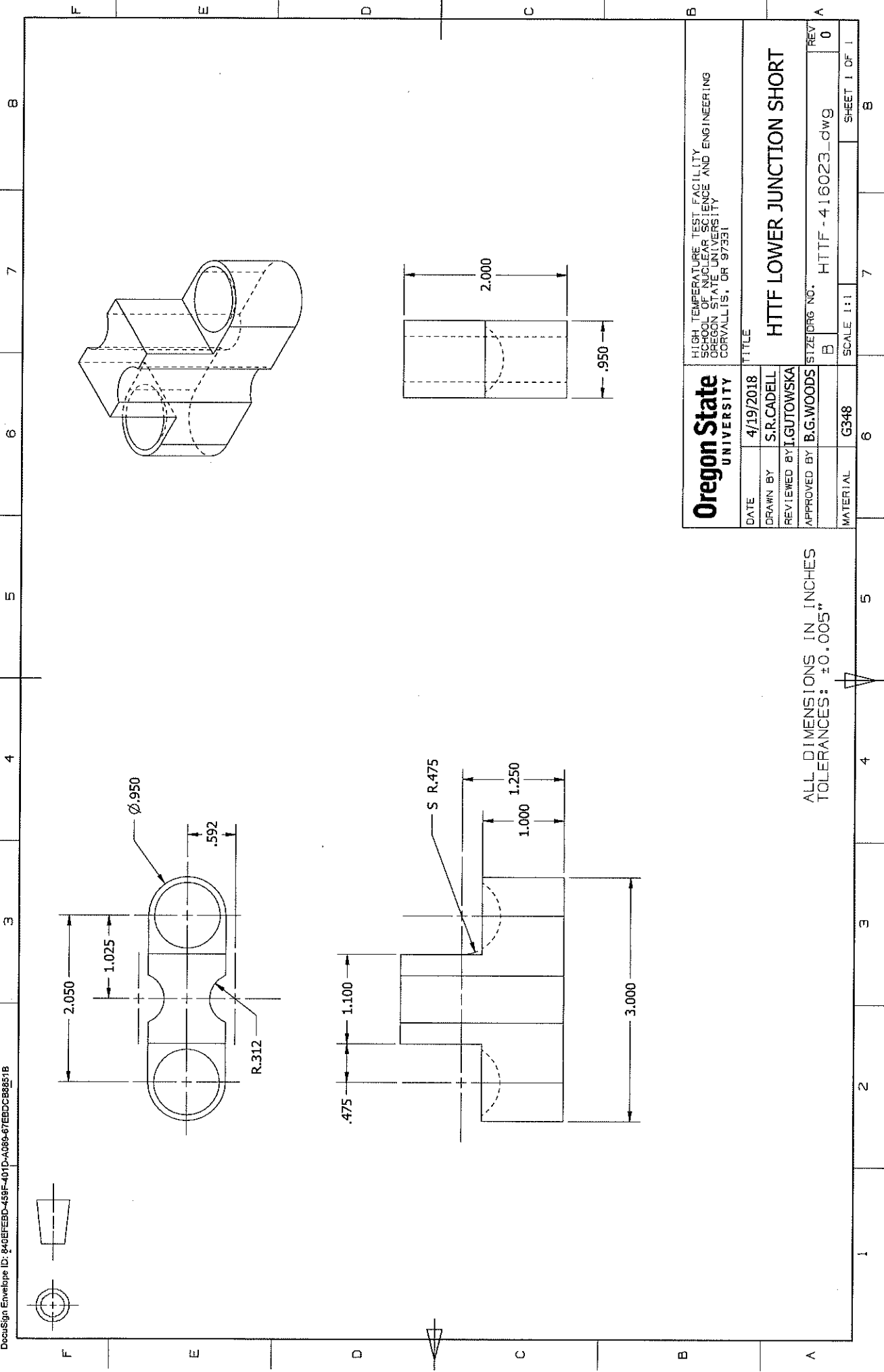
TITLE

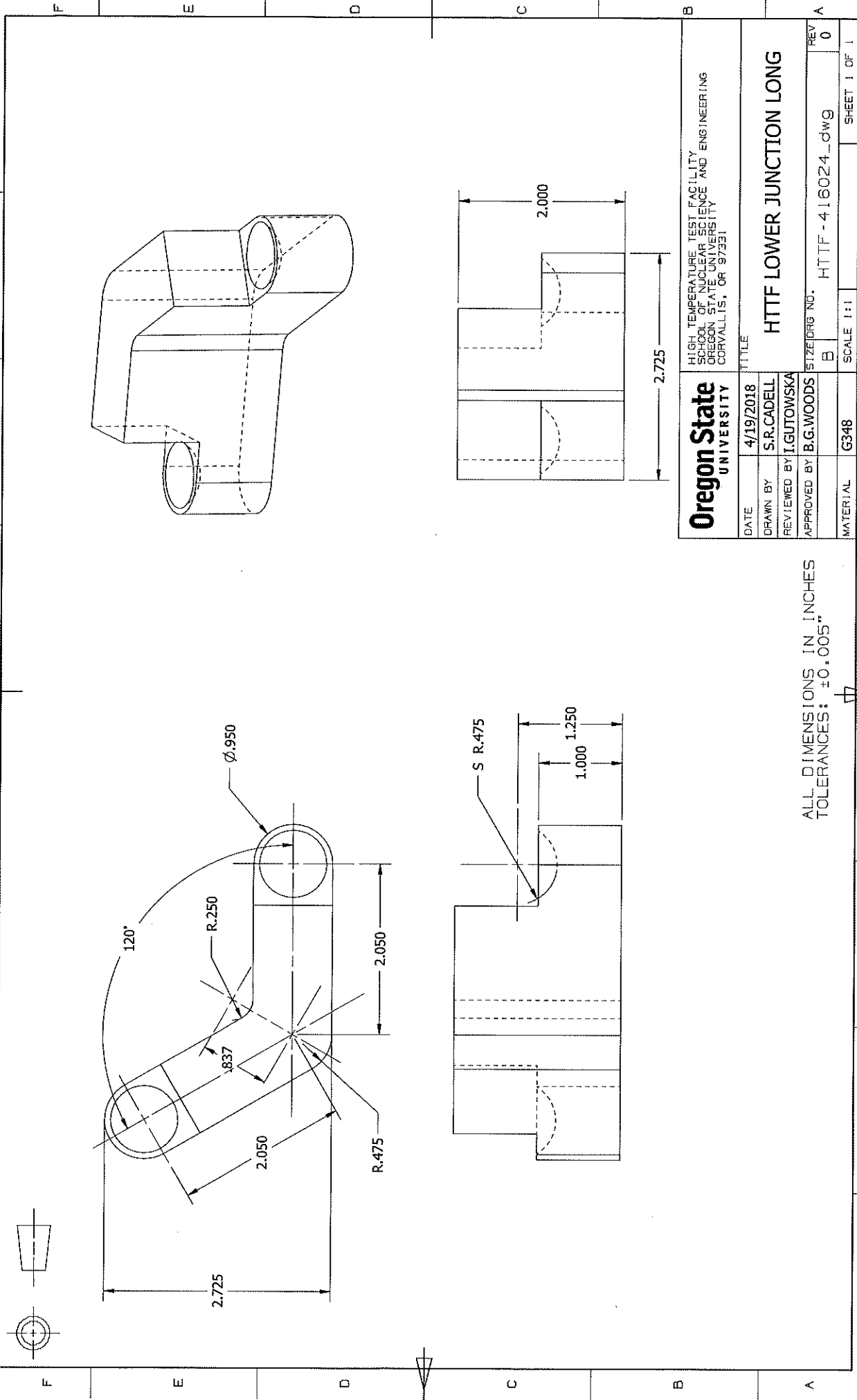
HTTF LOWER JUNCTION SHORT

SIZE/DRG NO.: B HTTF-416023-dwg

REV: 0

MATERIAL: G348 SCALE: 1:1 SHEET 1 OF 1

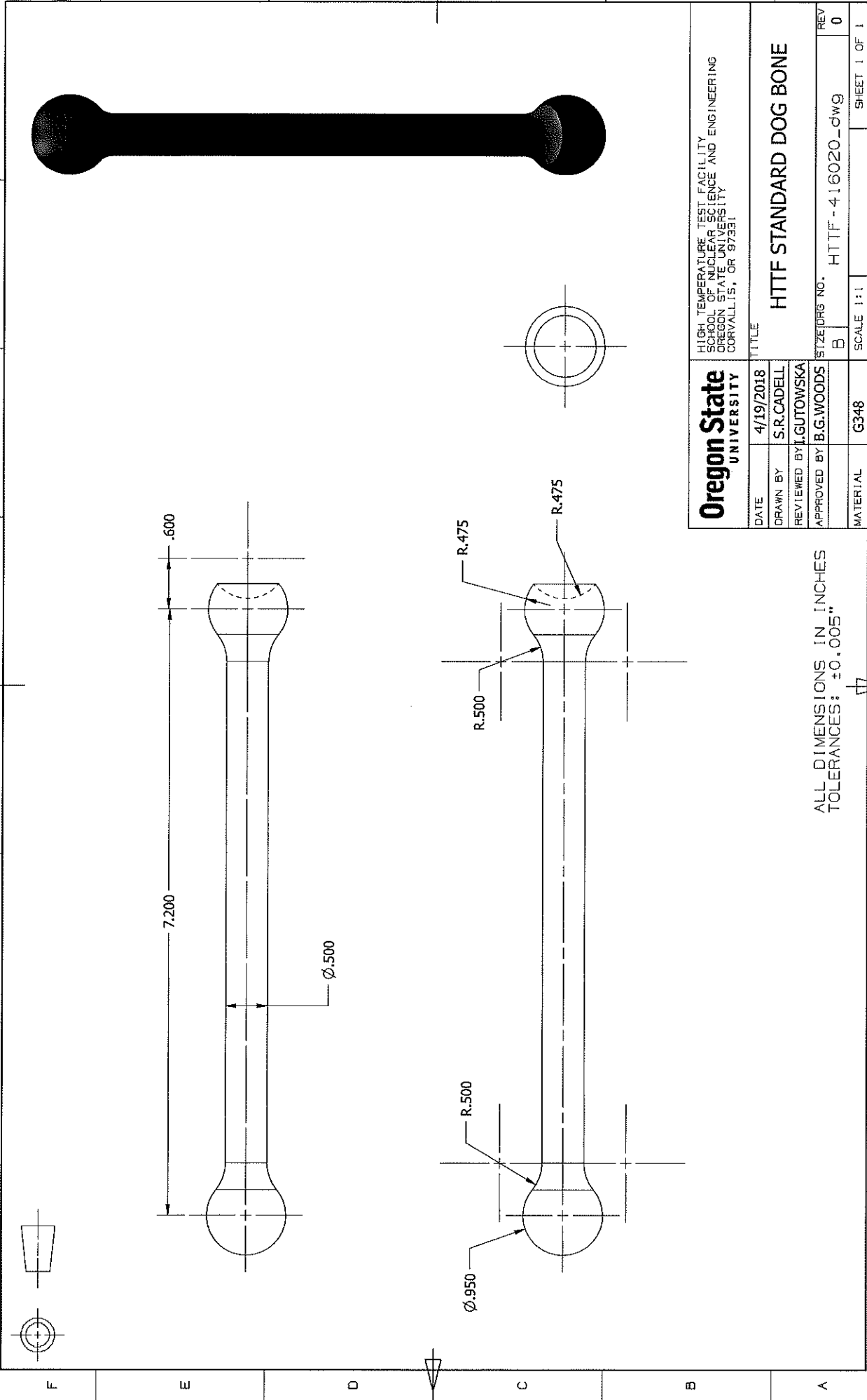




Oregon State University		HIGH TEMPERATURE TEST FACILITY SCHOOL OF NUCLEAR SCIENCE AND ENGINEERING OREGON STATE UNIVERSITY CORVALLIS, OR 97331	
DATE	4/19/2018	TITLE	HTTF LOWER JUNCTION LONG
DRAWN BY	S.R.CADELL	SIZE	B
REVIEWED BY	J.GUTOWSKA	DRG NO.	HTTF-416024-dwg
APPROVED BY	B.G.WOODS	REV	0
MATERIAL	G348	SCALE	1:1
	6		7
			8

ALL DIMENSIONS IN INCHES
TOLERANCES: ± 0.005

DocuSign Envelope ID: 840FEED-458F-401D-A086-67EBDCB8851B



Oregon State
UNIVERSITY

DATE: 4/19/2018
DRAWN BY: S.R.CADELL
REVIEWED BY: J.GUTOWSKA

APPROVED BY: B.G.WOODS
MATERIAL: G348

HIGH TEMPERATURE TEST FACILITY
SCHOOL OF NUCLEAR SCIENCE AND ENGINEERING
OREGON STATE UNIVERSITY
CORVALLIS, OR 97331

TITLE: HTTF STANDARD DOG BONE

SIZE/DRG NO.: HTTF - 416020 - dwg
REV: 0

SCALE: 1:1
SHEET 1 OF 1

ALL DIMENSIONS IN INCHES
TOLERANCES: ± 0.005