

**ANTHONY
JAMES
PARTNERS.com**

OWNER'S REPRESENTATIVE | AV CONSULTANT

OREGON STATE UNIVERSITY, GILL COLISEUM
RFP RENDERINGS

10.16.17

This artwork is protected under federal and international copyright law. Express permission from Anthony James Partners (AJP) is required for reproduction. Renderings are for the exclusive use of designated clients, associates and AJP. These renderings do not represent fabrication or structural engineer-certified or stamped documents. Monitor and/or printer calibration may impair visual accuracy of specified colors.



OPTION 1 CENTER HUNG BOXCAR

**ANTHONY
JAMES
PARTNERS**

3900 WESTERRE PARKWAY, SUITE 300 804.727.0070
RICHMOND, VIRGINIA 23233 www.anthonyjamespartners.com

THIS ARTWORK IS PROTECTED UNDER FEDERAL AND INTERNATIONAL COPYRIGHT LAW. EXPRESS PERMISSION FROM ANTHONY JAMES PARTNERS (AJP) IS REQUIRED FOR REPRODUCTION. RENDERINGS ARE FOR THE EXCLUSIVE USE OF DESIGNATED CLIENTS, ASSOCIATES AND AJP. THESE RENDERINGS DO NOT REPRESENT FABRICATION OR STRUCTURAL ENGINEER CERTIFIED OR STAMPED DOCUMENTS. MONITOR AND/OR PRINTER CALIBRATION MAY IMPAIR VISUAL ACCURACY OF SPECIFIED COLORS.

OREGON STATE UNIVERSITY - GILL COLISEUM

RFP RENDERING



OPTION 1 CENTER HUNG BOXCAR

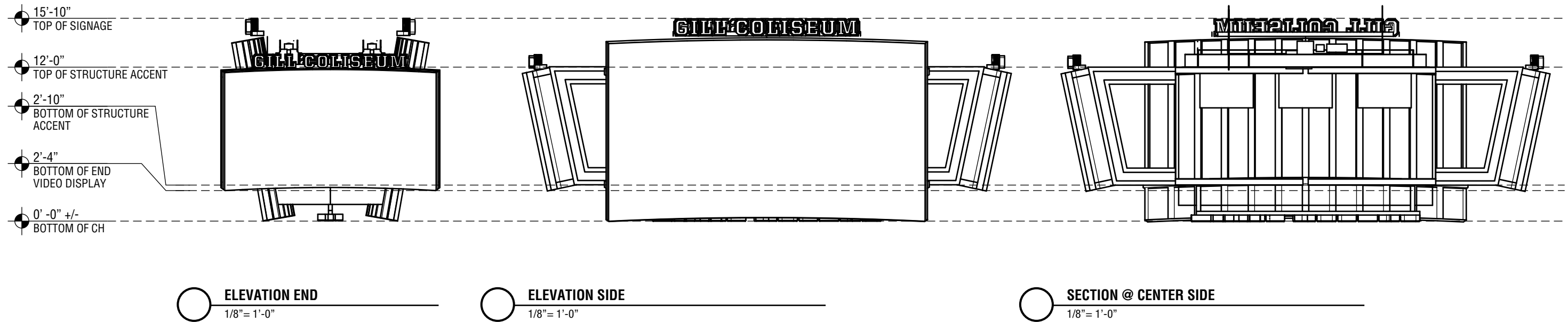
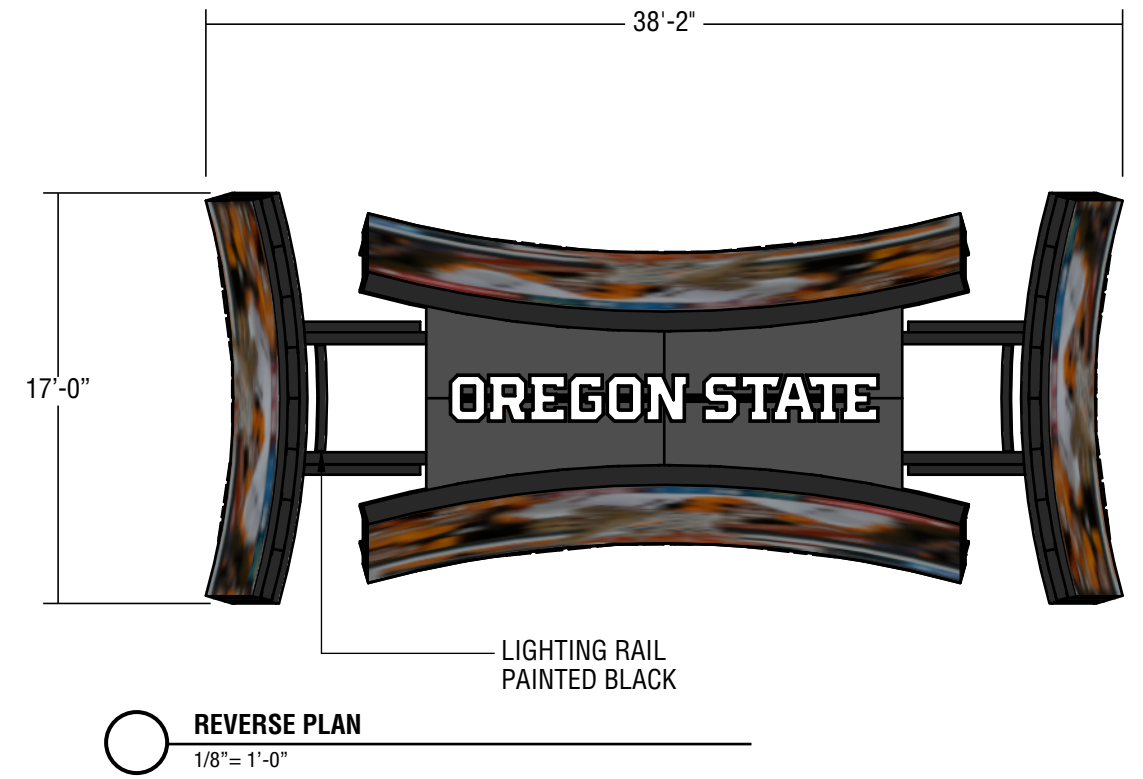
**ANTHONY
JAMES
PARTNERS**

3900 WESTERRE PARKWAY, SUITE 300 804.727.0070
 RICHMOND, VIRGINIA 23233 www.anthonijamespartners.com

OREGON STATE UNIVERSITY - GILL COLISEUM

THIS ARTWORK IS PROTECTED UNDER FEDERAL AND INTERNATIONAL COPYRIGHT LAW. EXPRESS PERMISSION FROM ANTHONY JAMES PARTNERS (AJP) IS REQUIRED FOR REPRODUCTION. RENDERINGS ARE FOR THE EXCLUSIVE USE OF DESIGNATED CLIENTS, ASSOCIATES AND AJP. THESE RENDERINGS DO NOT REPRESENT FABRICATION OR STRUCTURAL ENGINEER CERTIFIED OR STAMPED DOCUMENTS. MONITOR AND/OR PRINTER CALIBRATION MAY IMPAIR VISUAL ACCURACY OF SPECIFIED COLORS.

RFP RENDERING



CENTER HUNG SCOPE OF ASSETS

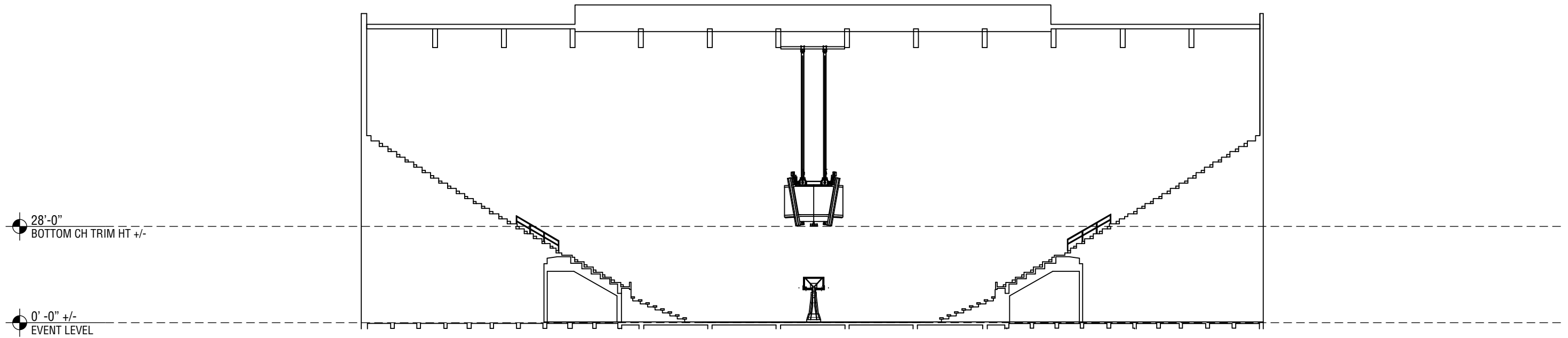
**ANTHONY
JAMES
PARTNERS**

3900 WESTERRE PARKWAY, SUITE 300 804.727.0070
RICHMOND, VIRGINIA 23233 www.anthonyjamespartners.com

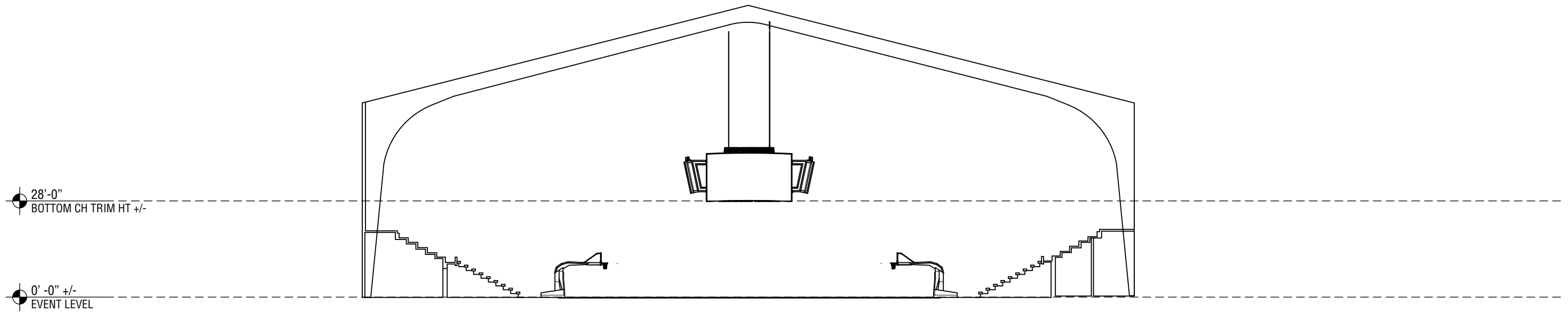
OREGON STATE UNIVERSITY - GILL COLISEUM

THIS ARTWORK IS PROTECTED UNDER FEDERAL AND INTERNATIONAL COPYRIGHT LAW. EXPRESS PERMISSION FROM ANTHONY JAMES PARTNERS (AJP) IS REQUIRED FOR REPRODUCTION. RENDERINGS ARE FOR THE EXCLUSIVE USE OF DESIGNATED CLIENTS, ASSOCIATES AND AJP. THESE RENDERINGS DO NOT REPRESENT FABRICATION OR STRUCTURAL ENGINEER CERTIFIED OR STAMPED DOCUMENTS. MONITOR AND/OR PRINTER CALIBRATION MAY IMPAIR VISUAL ACCURACY OF SPECIFIED COLORS.

RFP RENDERING



○ TRANSVERSE SECTION @ CENTER COURT
1" = 30'-0"



○ TRANSVERSE SECTION @ CENTER COURT
1" = 30'-0"

CENTER HUNG ARENA SECTIONS

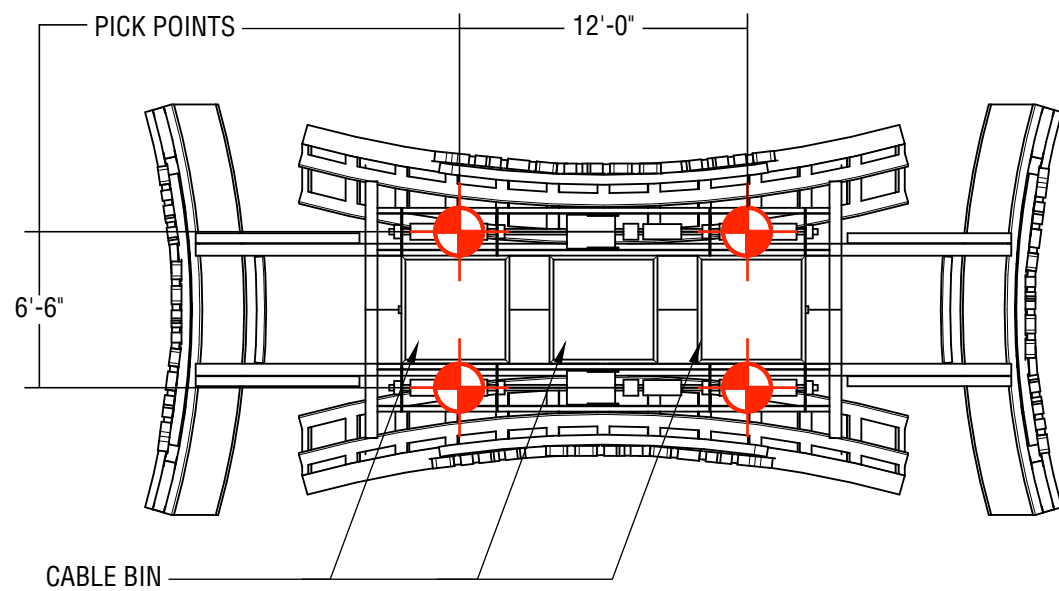
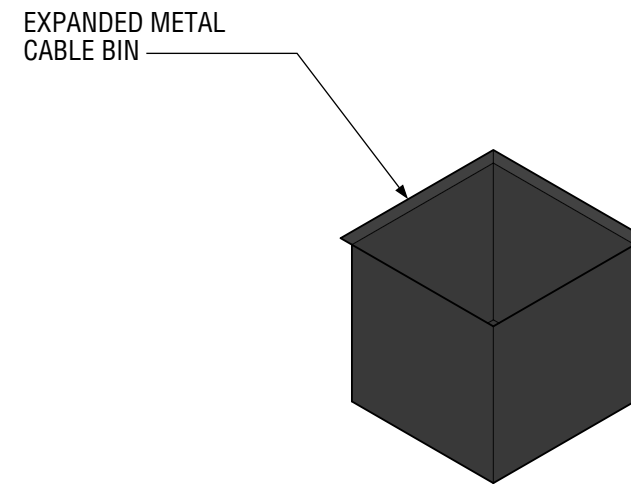
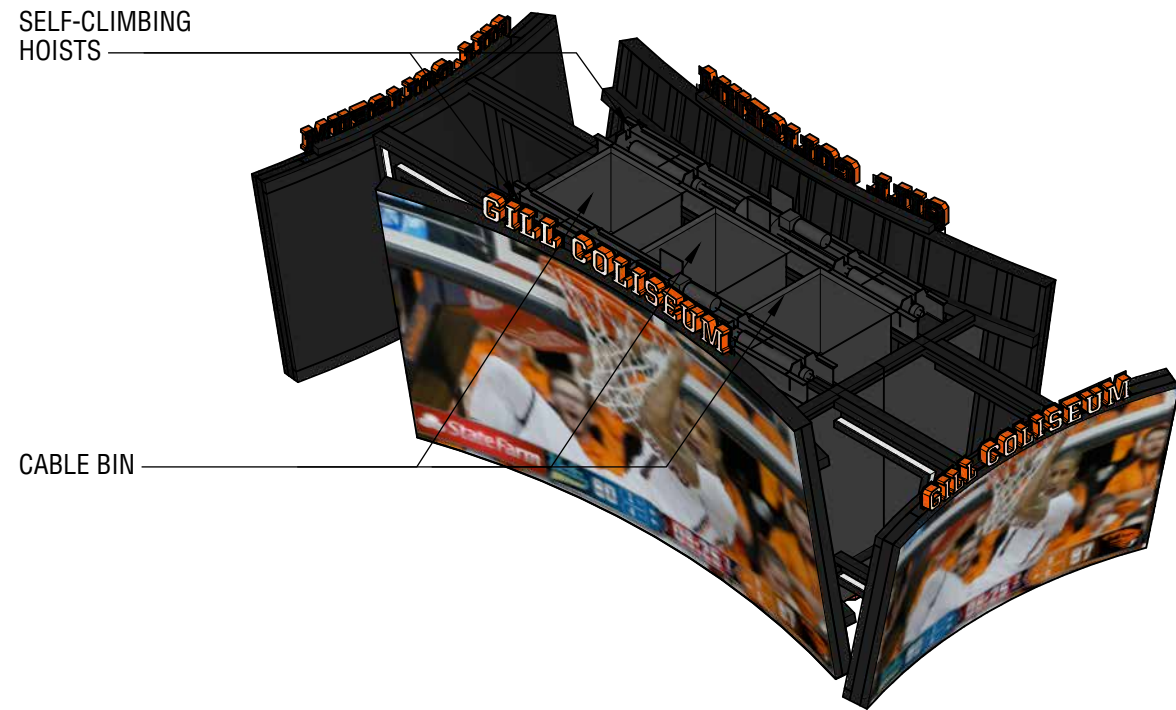
**ANTHONY
JAMES
PARTNERS**

3900 WESTERRE PARKWAY, SUITE 300 804.727.0070
RICHMOND, VIRGINIA 23233 www.anthonyjamespartners.com

OREGON STATE UNIVERSITY - GILL COLISEUM

THIS ARTWORK IS PROTECTED UNDER FEDERAL AND INTERNATIONAL COPYRIGHT LAW. EXPRESS PERMISSION FROM ANTHONY JAMES PARTNERS (AJP) IS REQUIRED FOR REPRODUCTION. RENDERINGS ARE FOR THE EXCLUSIVE USE OF DESIGNATED CLIENTS, ASSOCIATES AND AJP. THESE RENDERINGS DO NOT REPRESENT FABRICATION OR STRUCTURAL ENGINEER CERTIFIED OR STAMPED DOCUMENTS. MONITOR AND/OR PRINTER CALIBRATION MAY IMPAIR VISUAL ACCURACY OF SPECIFIED COLORS.

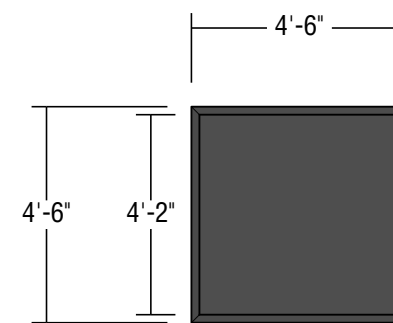
RFP RENDERING



RIGGING PLAN
1/8" = 1'-0"



CABLE BIN FRONT
1/4" = 1'-0"



CABLE BIN PLAN
1/4" = 1'-0"

CENTER HUNG RIGGING AND CABLE BINS

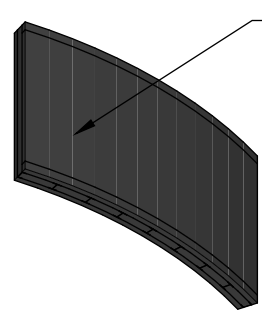
**ANTHONY
JAMES
PARTNERS**

3900 WESTERRE PARKWAY, SUITE 300 804.727.0070
RICHMOND, VIRGINIA 23233 www.anthonyjamespartners.com

THIS ARTWORK IS PROTECTED UNDER FEDERAL AND INTERNATIONAL COPYRIGHT LAW. EXPRESS PERMISSION FROM ANTHONY JAMES PARTNERS (AJP) IS REQUIRED FOR REPRODUCTION. RENDERINGS ARE FOR THE EXCLUSIVE USE OF DESIGNATED CLIENTS, ASSOCIATES AND AJP. THESE RENDERINGS DO NOT REPRESENT FABRICATION OR STRUCTURAL ENGINEER CERTIFIED OR STAMPED DOCUMENTS. MONITOR AND/OR PRINTER CALIBRATION MAY IMPAIR VISUAL ACCURACY OF SPECIFIED COLORS.

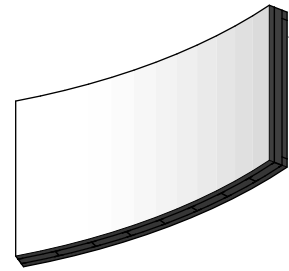
OREGON STATE UNIVERSITY - GILL COLISEUM

RFP RENDERING



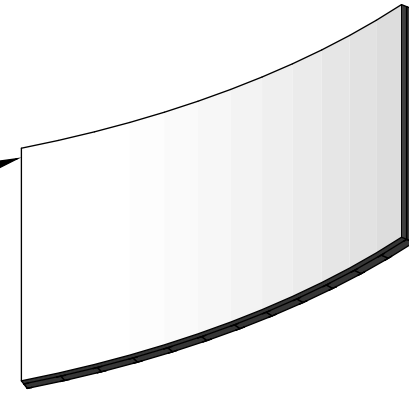
BACK OF END DISPLAYS FULLY ENCLOSED, -NO VISIBLE TENSION RETAINERS FOR MMT-313 MESH BLACK FABRIC. -ALL FASTENERS TO BE PAINTED SEMI-GLOSS BLACK

PRIMARY END ZONE LED BACK
NTS

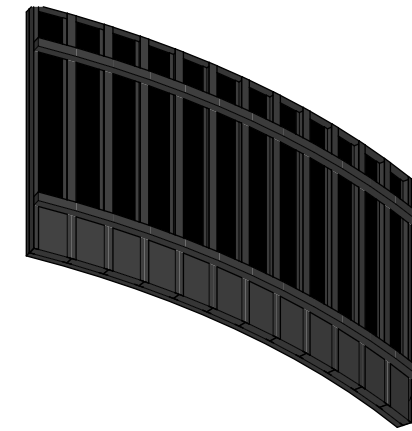


ALUMINUM SHELL TO FULLY ENCLOSE SIDES OF LED AND STRUCTURE -ALL STRUCTURAL ELEMENTS PAINTED SEMI-GLOSS BLACK.

PRIMARY END ZONE LED FRONT
NTS

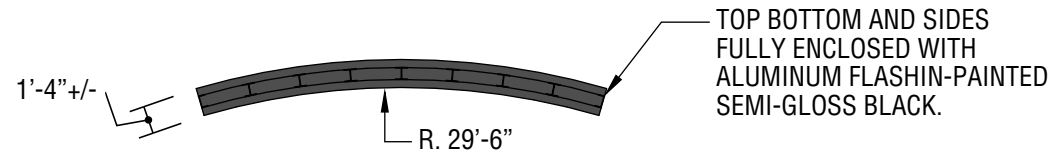


PRIMARY SIDELINE LED FRONT
NTS



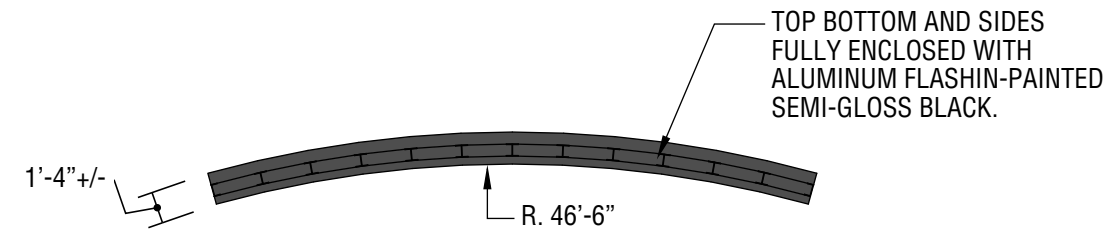
PRIMARY SIDELINE LED FRONT
NTS

FULLY ENCLOSED BACK/ BOTTOM OF SIDE VIDEO DISPLAY, -NO VISIBLE TENSION RETAINERS FOR MMT-313 MESH BLACK FABRIC. -ALL FASTENERS TO BE PAINTED SEMI-GLOSS BLACK



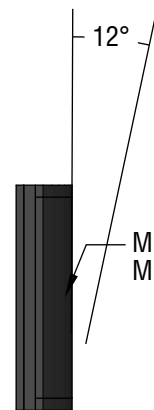
TOP BOTTOM AND SIDES FULLY ENCLOSED WITH ALUMINUM FLASHIN-PAINTED SEMI-GLOSS BLACK.

PRIMARY END ZONE LED PLAN
1/8" = 1'-0"



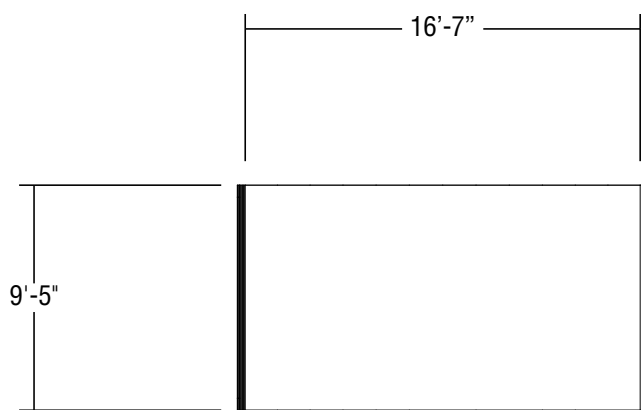
TOP BOTTOM AND SIDES FULLY ENCLOSED WITH ALUMINUM FLASHIN-PAINTED SEMI-GLOSS BLACK.

PRIMARY SIDELINE LED PLAN
1/8" = 1'-0"

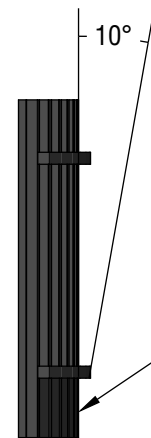


MMT-313 TENSION MESH BLACK.

PRIMARY END ZONE LED SIDE
1/8" = 1'-0"

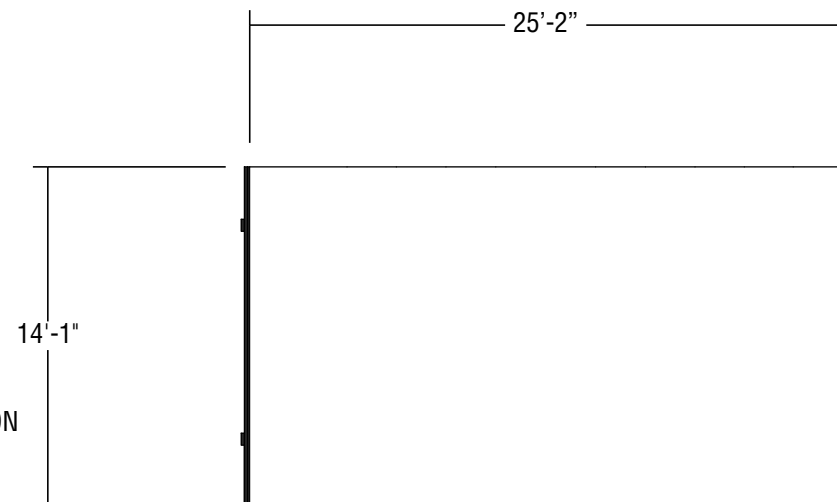


PRIMARY END ZONE LED ELEVATION
1/8" = 1'-0"



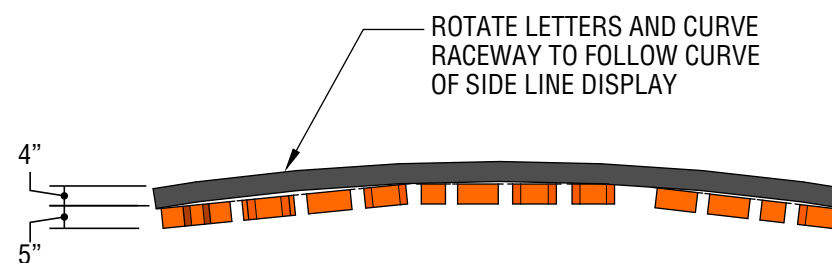
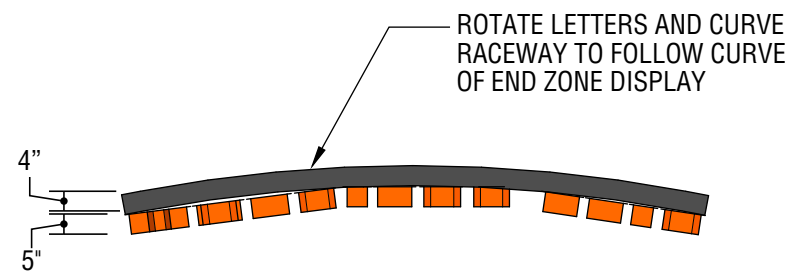
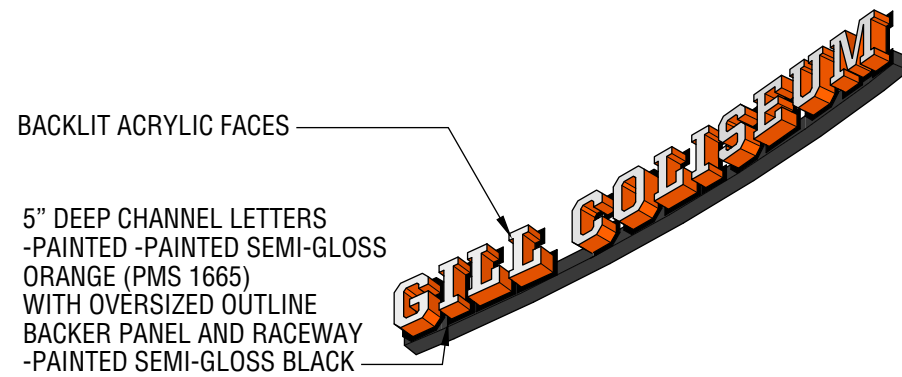
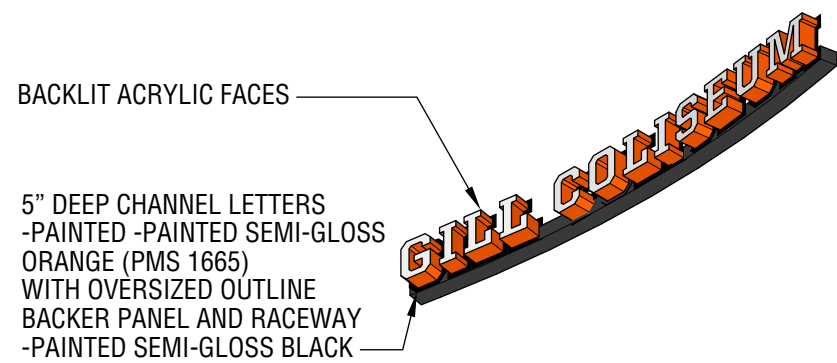
MMT-313 TENSION MESH BLACK.

PRIMARY SIDE LINE LED SIDE
1/8" = 1'-0"



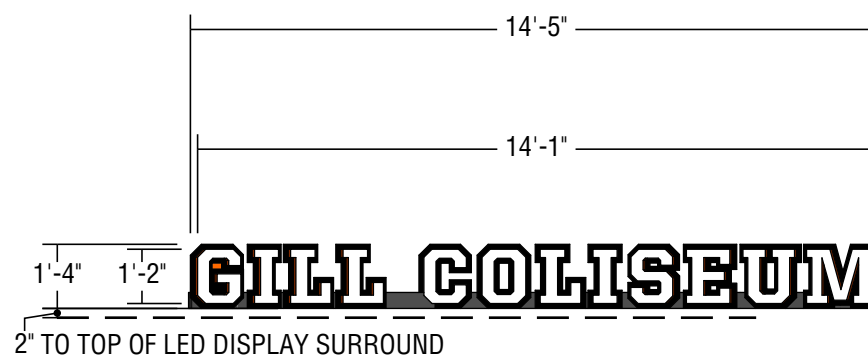
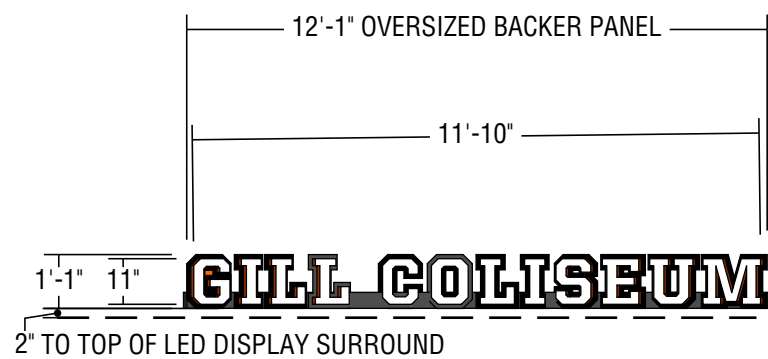
PRIMARY SIDELINE LED FRONT
1/8" = 1'-0"

CENTER HUNG LED DISPLAY DETAILS



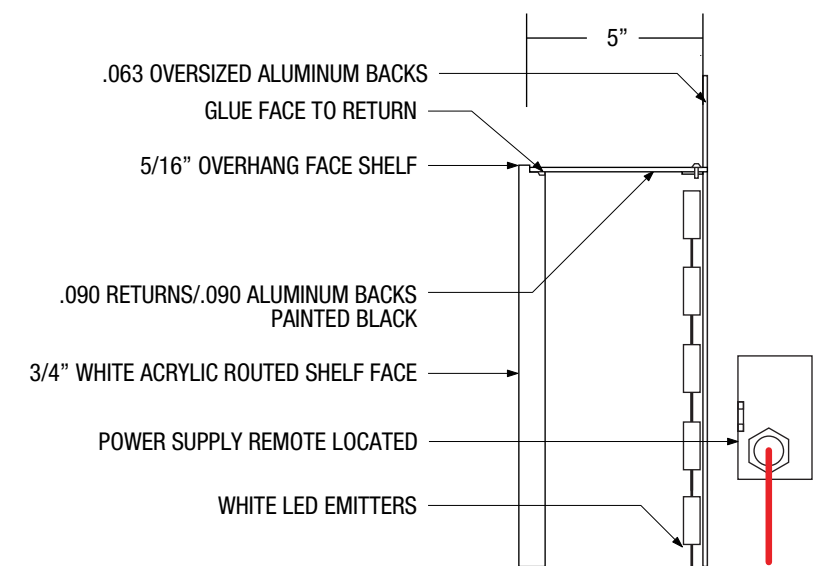
END VENUE ID PLAN
1/4" = 1'-0"

SIDE VENUE ID PLAN
1/4" = 1'-0"



END VENUE ID LAYOUT
1/4" = 1'-0"

SIDE VENUE ID LAYOUT
1/4" = 1'-0"



FACE LIT SIGNAGE DETAIL
NTS

CENTER HUNG VENUE ID

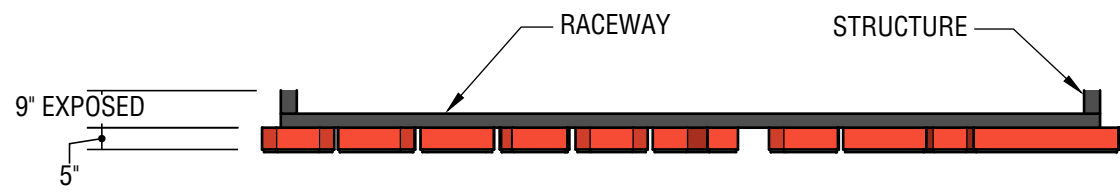
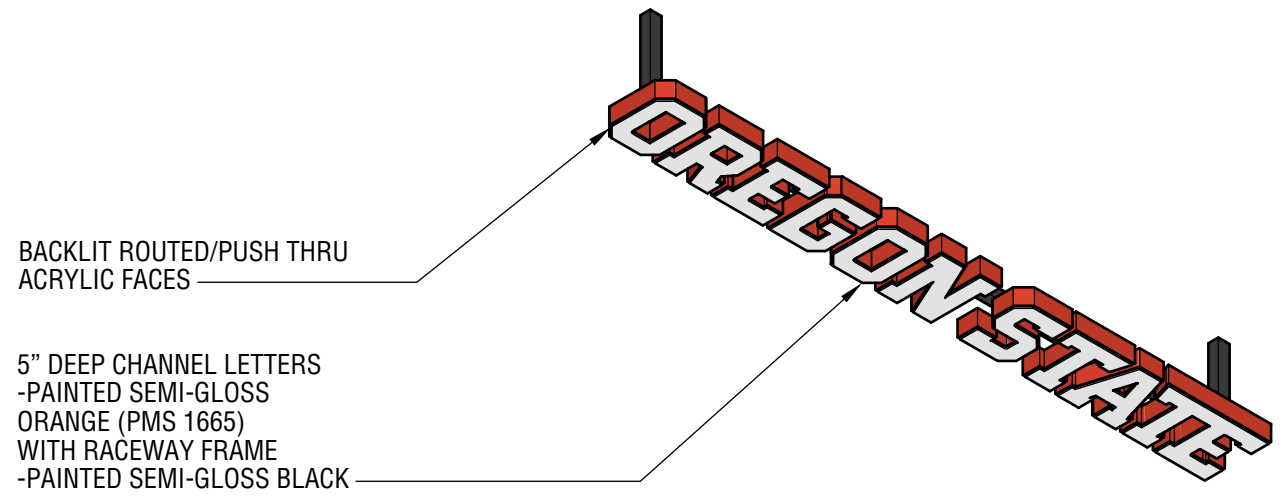
**ANTHONY
JAMES
PARTNERS**

3900 WESTERRE PARKWAY, SUITE 300 804.727.0070
RICHMOND, VIRGINIA 23233 www.anthonyjamespartners.com

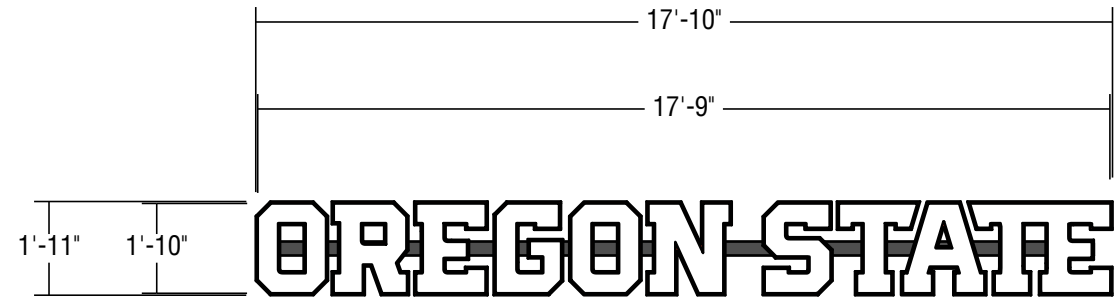
THIS ARTWORK IS PROTECTED UNDER FEDERAL AND INTERNATIONAL COPYRIGHT LAW. EXPRESS PERMISSION FROM ANTHONY JAMES PARTNERS (AJP) IS REQUIRED FOR REPRODUCTION. RENDERINGS ARE FOR THE EXCLUSIVE USE OF DESIGNATED CLIENTS, ASSOCIATES AND AJP. THESE RENDERINGS DO NOT REPRESENT FABRICATION OR STRUCTURAL ENGINEER CERTIFIED OR STAMPED DOCUMENTS. MONITOR AND/OR PRINTER CALIBRATION MAY IMPAIR VISUAL ACCURACY OF SPECIFIED COLORS.

OREGON STATE UNIVERSITY - GILL COLISEUM

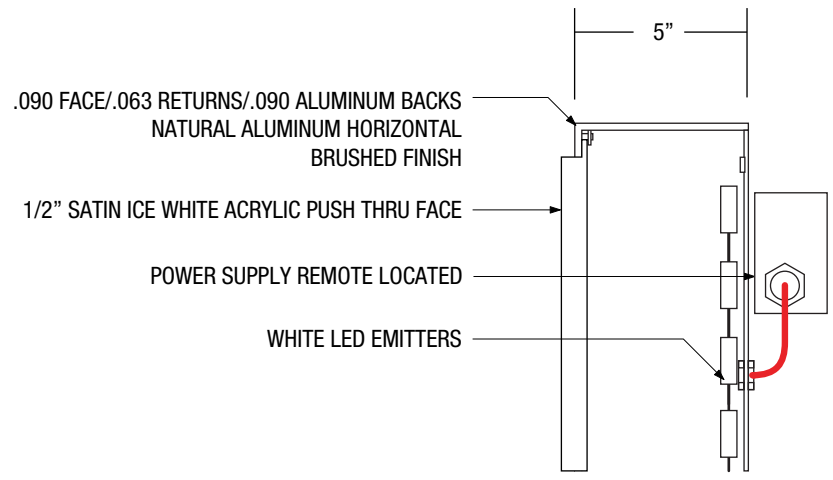
RFP RENDERING



SIGNAGE BACKGROUND PANEL SIDE
1/4" = 1'-0"



SIGNAGE PANEL LAYOUT
1/4" = 1'-0"



LOGO PUSH THRU SIGNAGE DETAIL
NTS

CENTER HUNG UNDERBELLY LOGOTYPE

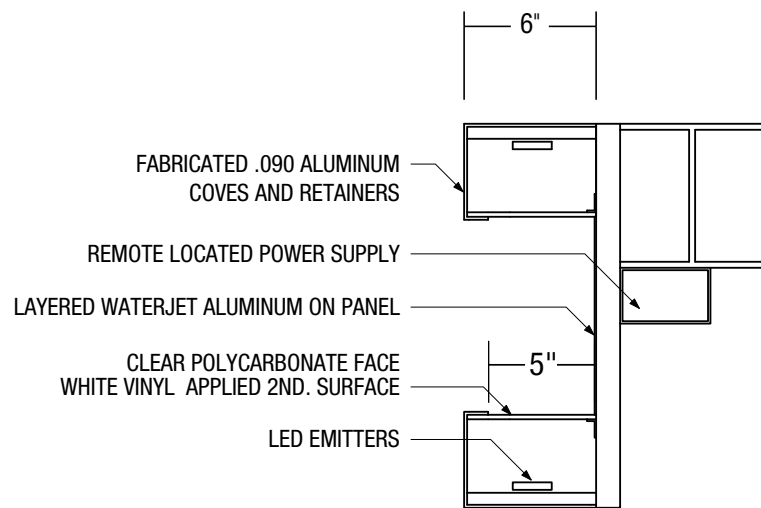
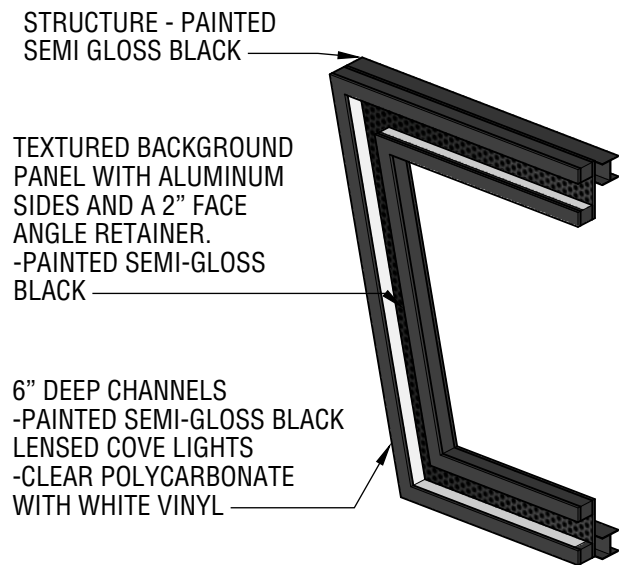
**ANTHONY
JAMES
PARTNERS**

3900 WESTERRE PARKWAY, SUITE 300 804.727.0070
RICHMOND, VIRGINIA 23233 www.anthonijamespartners.com

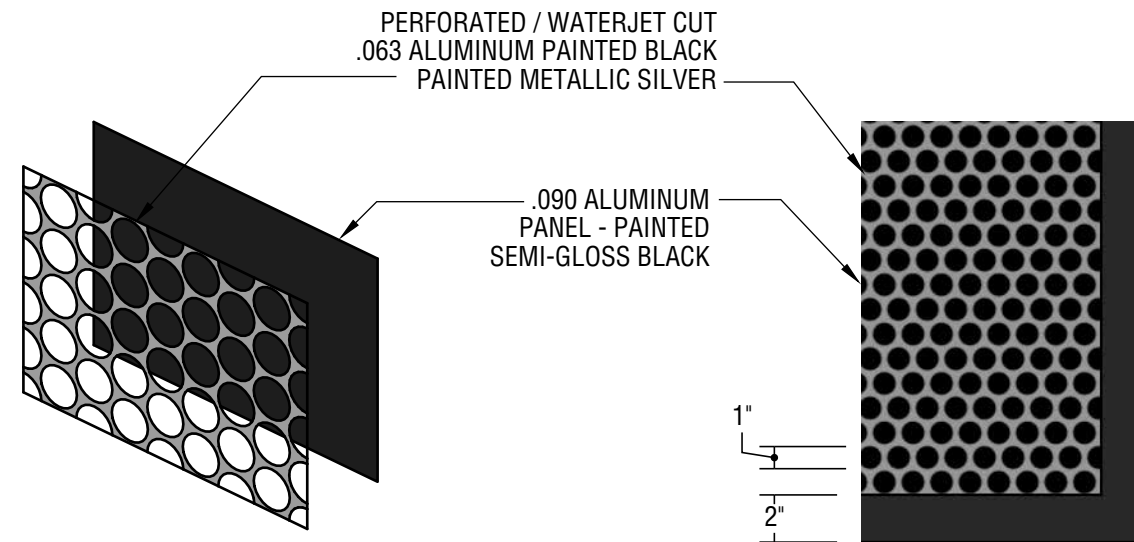
THIS ARTWORK IS PROTECTED UNDER FEDERAL AND INTERNATIONAL COPYRIGHT LAW. EXPRESS PERMISSION FROM ANTHONY JAMES PARTNERS (AJP) IS REQUIRED FOR REPRODUCTION. RENDERINGS ARE FOR THE EXCLUSIVE USE OF DESIGNATED CLIENTS, ASSOCIATES AND AJP. THESE RENDERINGS DO NOT REPRESENT FABRICATION OR STRUCTURAL ENGINEER CERTIFIED OR STAMPED DOCUMENTS. MONITOR AND/OR PRINTER CALIBRATION MAY IMPAIR VISUAL ACCURACY OF SPECIFIED COLORS.

OREGON STATE UNIVERSITY - GILL COLISEUM

RFP RENDERING

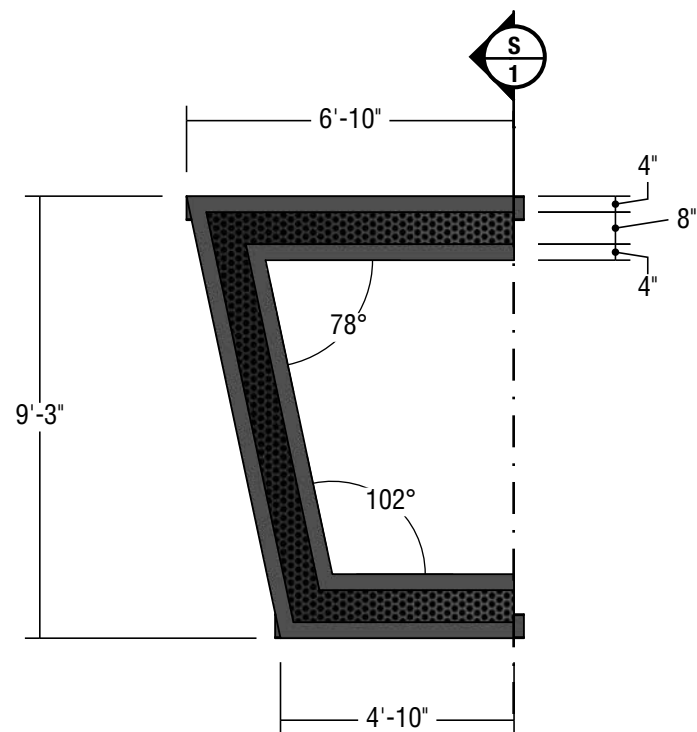


LIGHTING COVE DETAIL
1-1/2" = 1'-0"

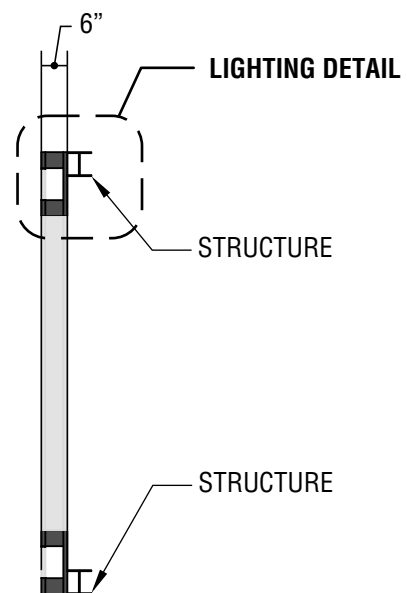


PATTERN DETAIL
1-1/2" = 1'-0"

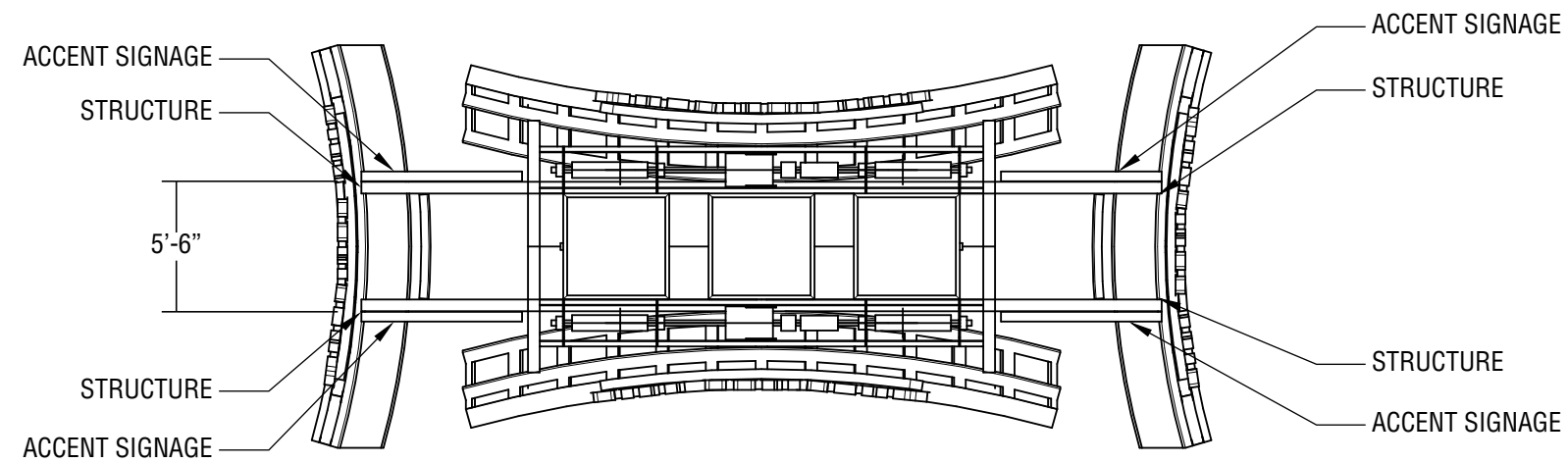
PATTERN DETAIL
1-1/2" = 1'-0"



STRUCTURAL ACCENT FRONT
1/4" = 1'-0"



STRUCTURAL ACCENT SIDE
1/4" = 1'-0"



STRUCTURAL ACCENT LOCATIONS
1/8" = 1'-0"

CENTER HUNG STRUCTURAL ACCENTS

**ANTHONY
JAMES
PARTNERS**

3900 WESTERRE PARKWAY, SUITE 300 804.727.0070
RICHMOND, VIRGINIA 23233 www.anthonyjamespartners.com

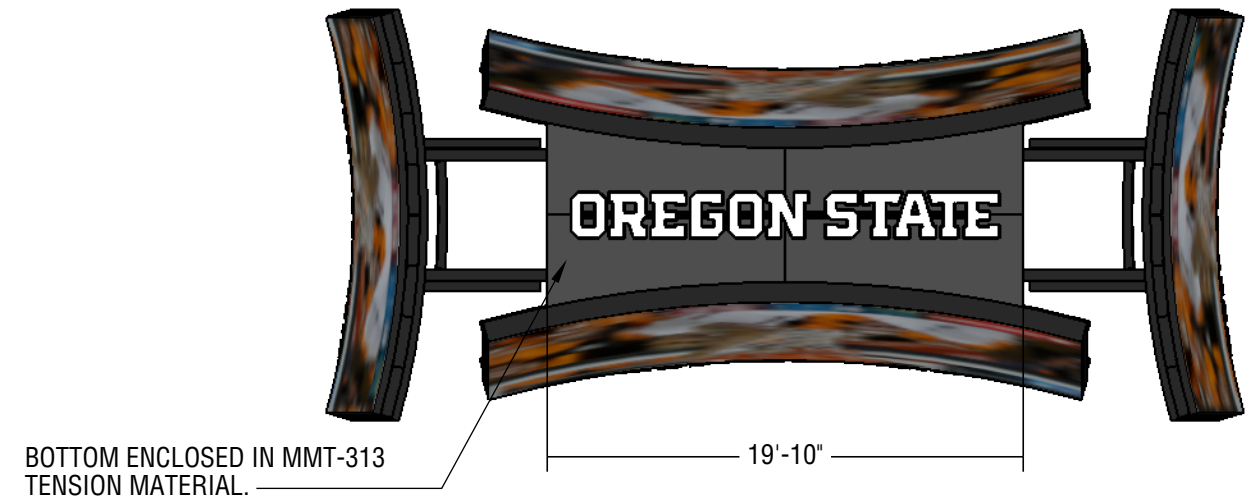
OREGON STATE UNIVERSITY - GILL COLISEUM

THIS ARTWORK IS PROTECTED UNDER FEDERAL AND INTERNATIONAL COPYRIGHT LAW. EXPRESS PERMISSION FROM ANTHONY JAMES PARTNERS (AJP) IS REQUIRED FOR REPRODUCTION. RENDERINGS ARE FOR THE EXCLUSIVE USE OF DESIGNATED CLIENTS, ASSOCIATES AND AJP. THESE RENDERINGS DO NOT REPRESENT FABRICATION OR STRUCTURAL ENGINEER CERTIFIED OR STAMPED DOCUMENTS. MONITOR AND/OR PRINTER CALIBRATION MAY IMPAIR VISUAL ACCURACY OF SPECIFIED COLORS.

RFP RENDERING

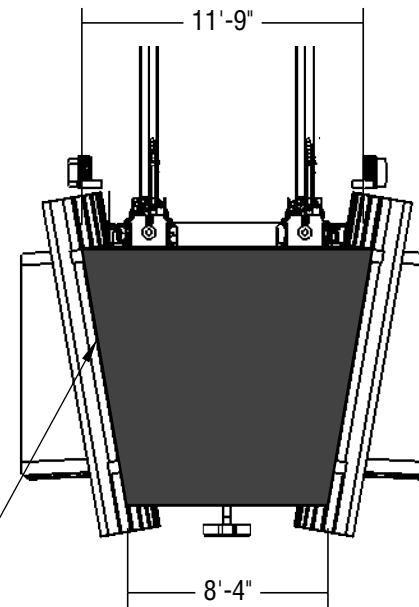


BOTTOM AND ENDS
MMT-313 MESH TENSION
MATERIAL. PRINTED
C:100 M:100 Y:100 K:100 BLACK
ALL HARDWARE
AND TENSION MATERIAL
TO BE PAINTED SEMI-GLOSS
BLACK.



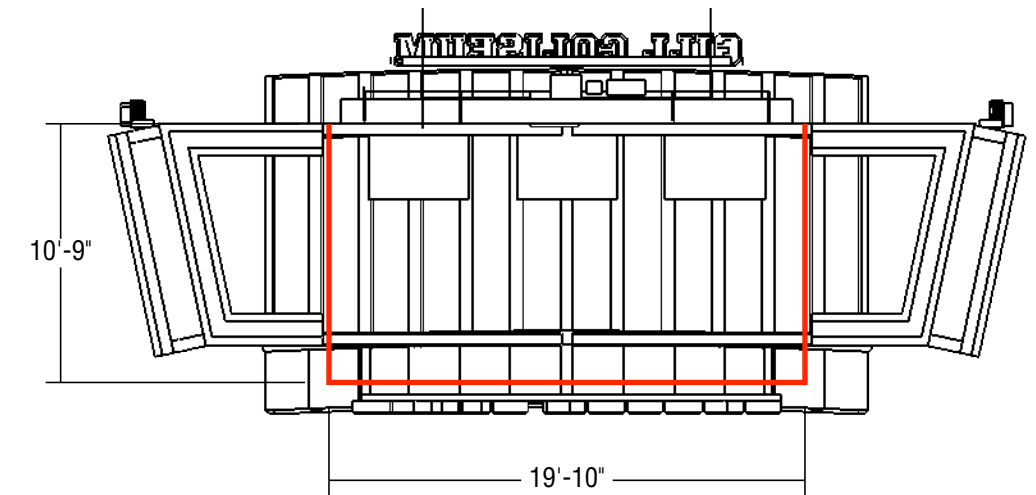
BOTTOM ENCLOSED IN MMT-313
TENSION MATERIAL.

○ REVERSE PLAN
1/8" = 1'-0"



ENDS ENCLOSED IN MMT-313
TENSION MATERIAL.

○ ELEVATION END
1/8" = 1'-0"



○ SECTION @ CENTER SIDE
1/8" = 1'-0"

CENTER HUNG ENCLOSURE DETAILS

**ANTHONY
JAMES
PARTNERS**

3900 WESTERRE PARKWAY, SUITE 300 804.727.0070
RICHMOND, VIRGINIA 23233 www.anthonyjamespartners.com

THIS ARTWORK IS PROTECTED UNDER FEDERAL AND INTERNATIONAL COPYRIGHT LAW. EXPRESS PERMISSION FROM ANTHONY JAMES PARTNERS (AJP) IS REQUIRED FOR REPRODUCTION. RENDERINGS ARE FOR THE EXCLUSIVE USE OF DESIGNATED CLIENTS, ASSOCIATES AND AJP. THESE RENDERINGS DO NOT REPRESENT FABRICATION OR STRUCTURAL ENGINEER CERTIFIED OR STAMPED DOCUMENTS. MONITOR AND/OR PRINTER CALIBRATION MAY IMPAIR VISUAL ACCURACY OF SPECIFIED COLORS.

OREGON STATE UNIVERSITY - GILL COLISEUM

RFP RENDERING



OREGON STATE

State Farm		
PLAYER	POINTS	FG/3A
01	8	1
05	11	1
10	14	4
24	22	3
44	19	2

pepsi

88:88

82

8 PERIOD

8 T.O.L. 88 TM FLS TM FLS 88 T.O.L. 8

at&t

ALTERNATE 2 END ZONE VIDEO DISPLAY

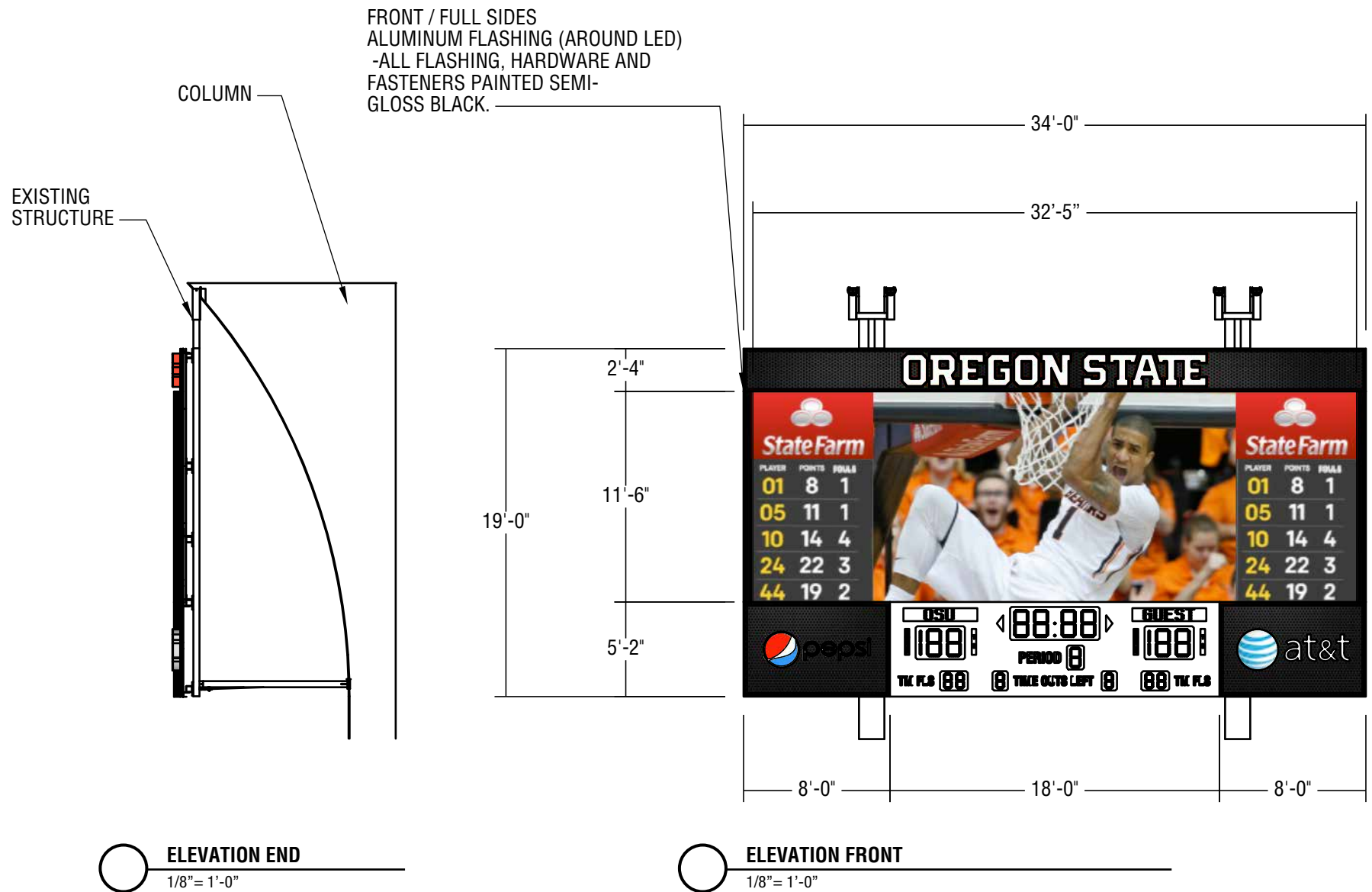
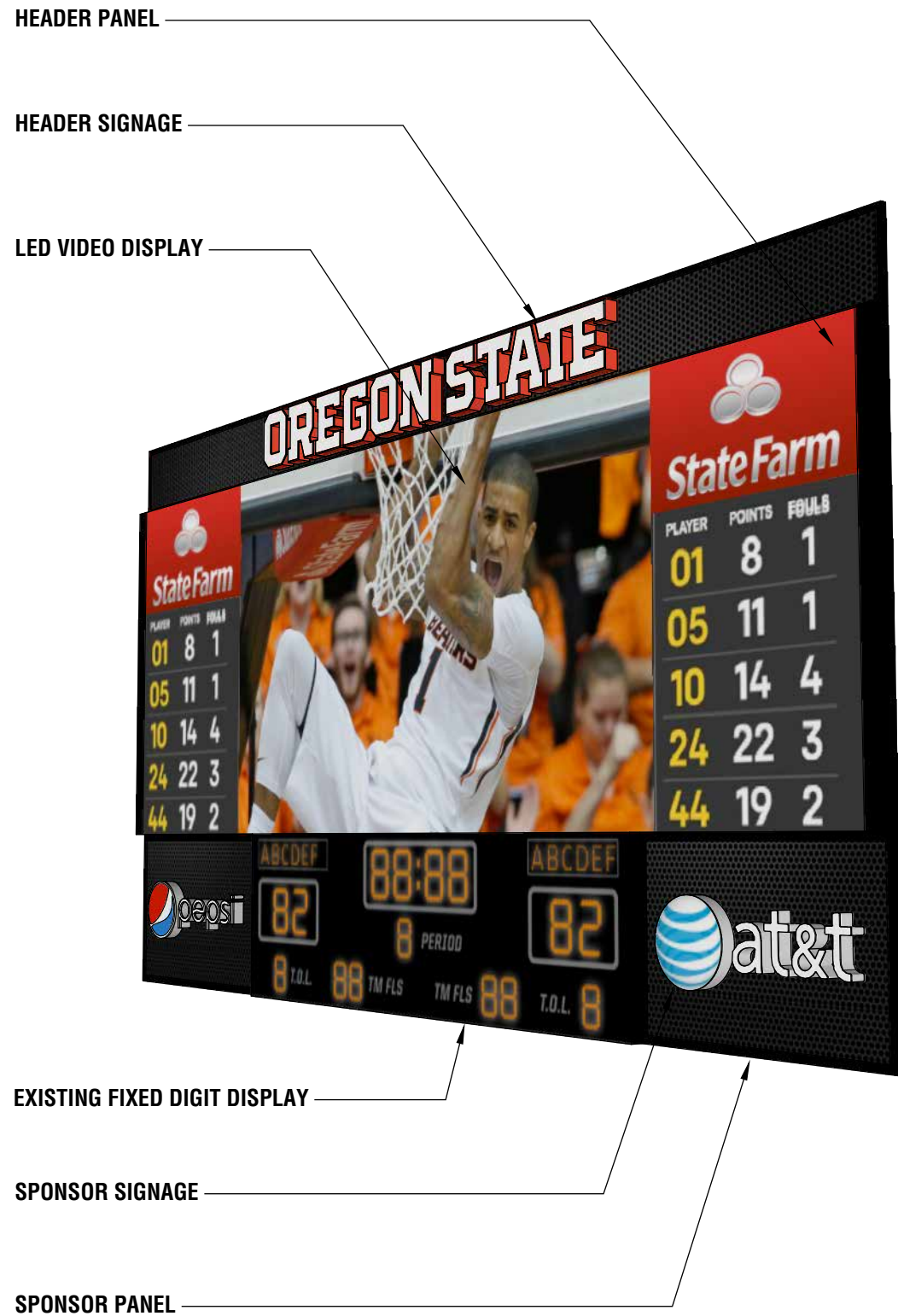
**ANTHONY
JAMES
PARTNERS**

3900 WESTERRE PARKWAY, SUITE 300 804.727.0070
 RICHMOND, VIRGINIA 23233 www.anthonijamespartners.com

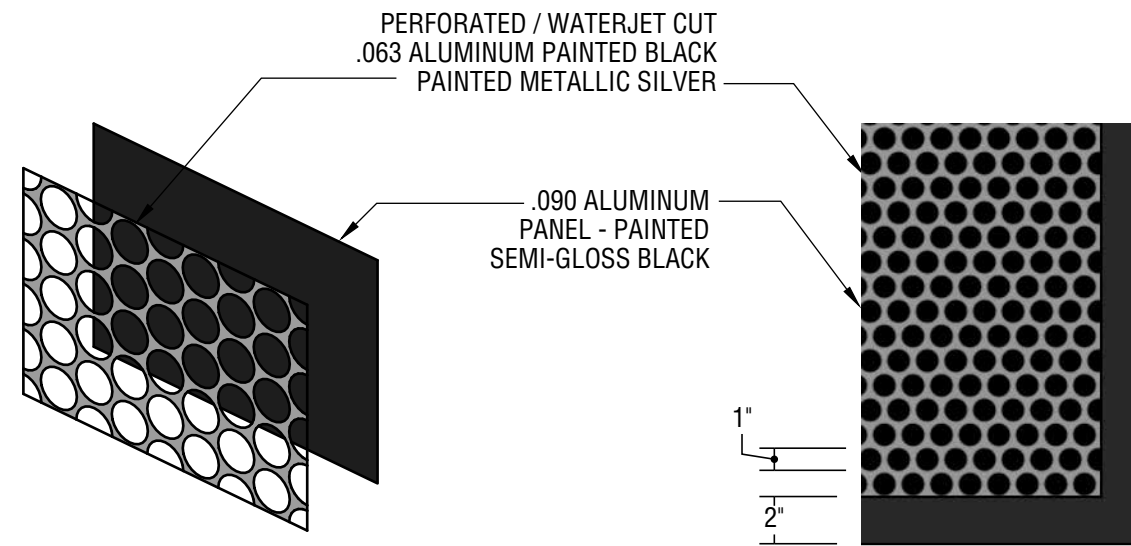
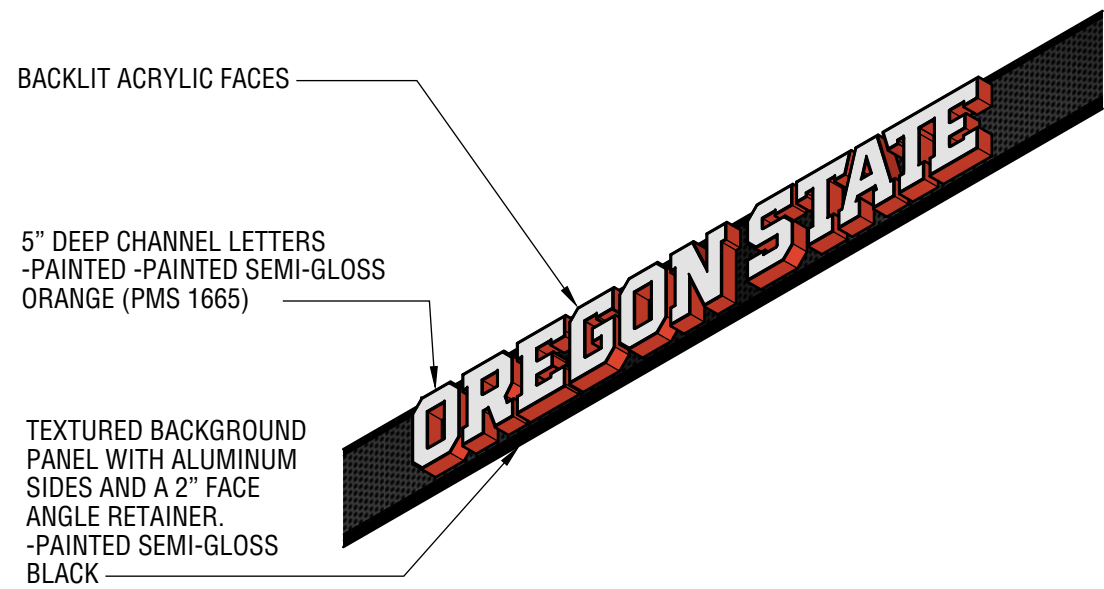
OREGON STATE UNIVERSITY - GILL COLISEUM

THIS ARTWORK IS PROTECTED UNDER FEDERAL AND INTERNATIONAL COPYRIGHT LAW. EXPRESS PERMISSION FROM ANTHONY JAMES PARTNERS (AJP) IS REQUIRED FOR REPRODUCTION. RENDERINGS ARE FOR THE EXCLUSIVE USE OF DESIGNATED CLIENTS, ASSOCIATES AND AJP. THESE RENDERINGS DO NOT REPRESENT FABRICATION OR STRUCTURAL ENGINEER CERTIFIED OR STAMPED DOCUMENTS. MONITOR AND/OR PRINTER CALIBRATION MAY IMPAIR VISUAL ACCURACY OF SPECIFIED COLORS.

RFP RENDERING



ALTERNATE 2 END ZONE LED DISPLAYS AND SCOPE OF ASSETS

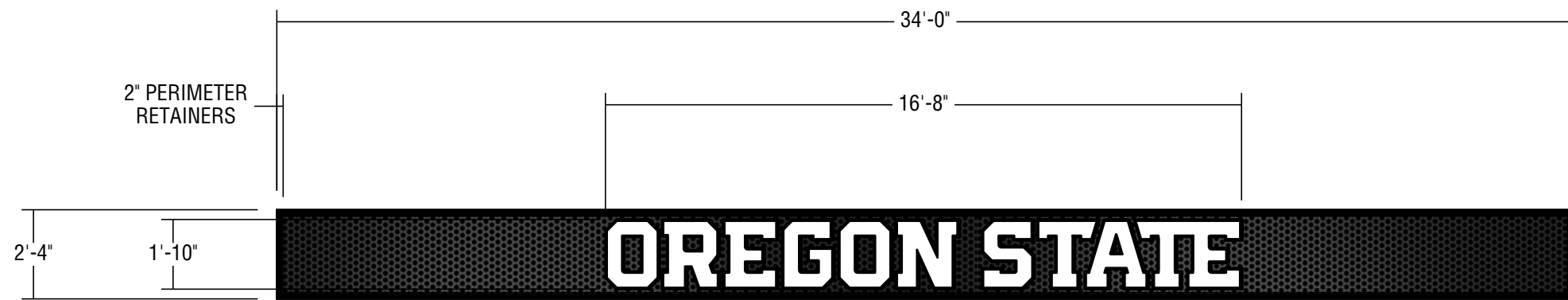


PATTERN DETAIL
1-1/2" = 1'-0"

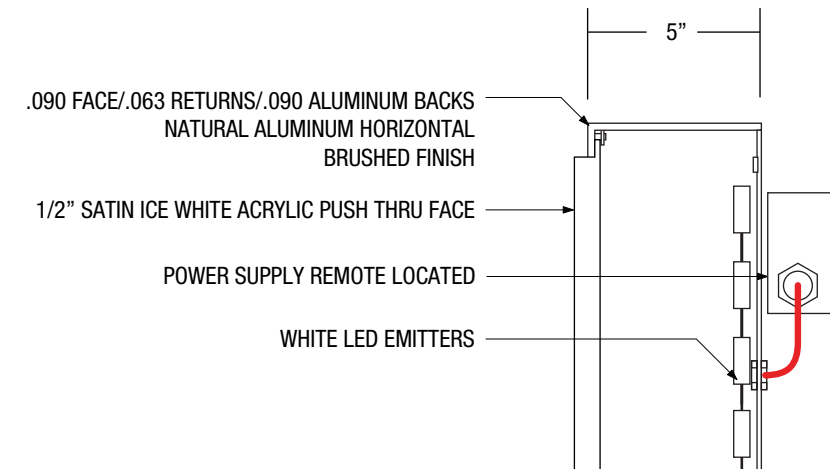
PATTERN DETAIL
1-1/2" = 1'-0"



HEADER PANEL AND LOGOTYPE PLAN VIEW
1/4" = 1'-0"



HEADER PANEL AND LOGOTYPE LAYOUT
1/4" = 1'-0"



LOGO PUSH THRU SIGNAGE DETAIL
NTS

ALTERNATE 2 END ZONE HEADER SIGNAGE

**ANTHONY
JAMES
PARTNERS**

3900 WESTERRE PARKWAY, SUITE 300 804.727.0070
RICHMOND, VIRGINIA 23233 www.anthonyjamespartners.com

THIS ARTWORK IS PROTECTED UNDER FEDERAL AND INTERNATIONAL COPYRIGHT LAW. EXPRESS PERMISSION FROM ANTHONY JAMES PARTNERS (AJP) IS REQUIRED FOR REPRODUCTION. RENDERINGS ARE FOR THE EXCLUSIVE USE OF DESIGNATED CLIENTS, ASSOCIATES AND AJP. THESE RENDERINGS DO NOT REPRESENT FABRICATION OR STRUCTURAL ENGINEER CERTIFIED OR STAMPED DOCUMENTS. MONITOR AND/OR PRINTER CALIBRATION MAY IMPAIR VISUAL ACCURACY OF SPECIFIED COLORS.

OREGON STATE UNIVERSITY - GILL COLISEUM

RFP RENDERING

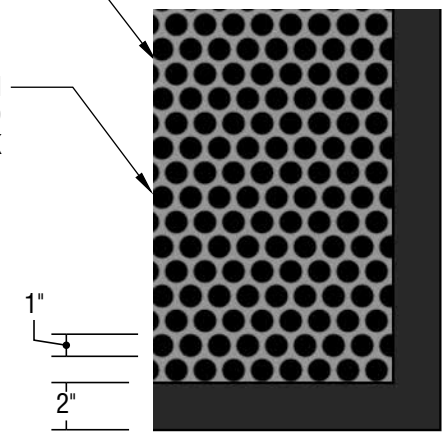
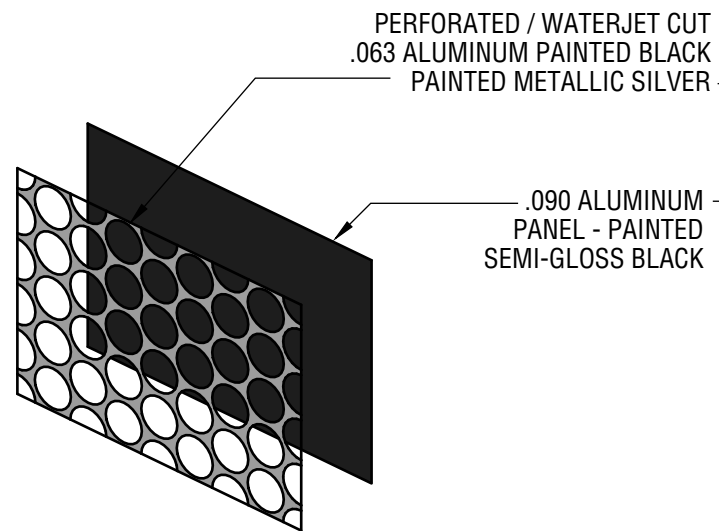
ACRYLIC FACES
(WHITE FACE PREFERENCE)
TRIM CAPS TO MATCH
RETURNS (877 SILVER PREF.)

5" DEEP CHANNEL LETTERS
-PAINTED SEMI-GLOSS TBD
PER SPONSOR

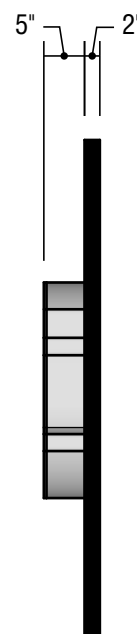
TEXTURED BACKGROUND
PANEL WITH ALUMINUM
SIDES AND A 2" FACE
ANGLE RETAINER.
-PAINTED SEMI-GLOSS
BLACK



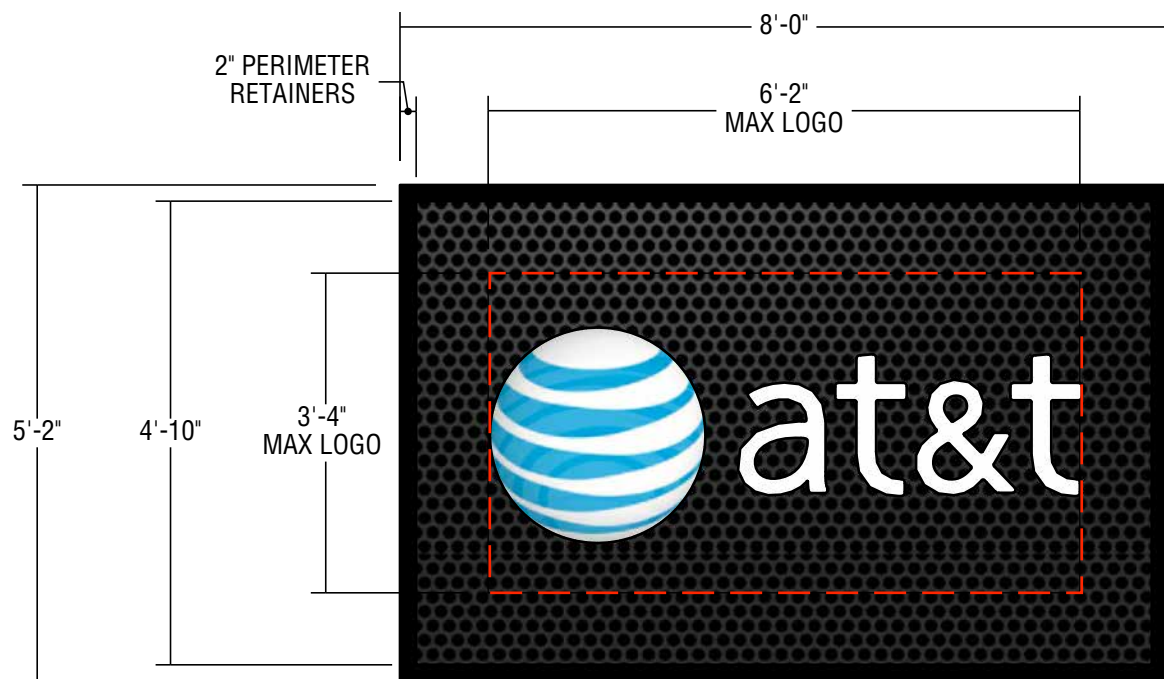
PATTERN DETAIL
1-1/2" = 1'-0"



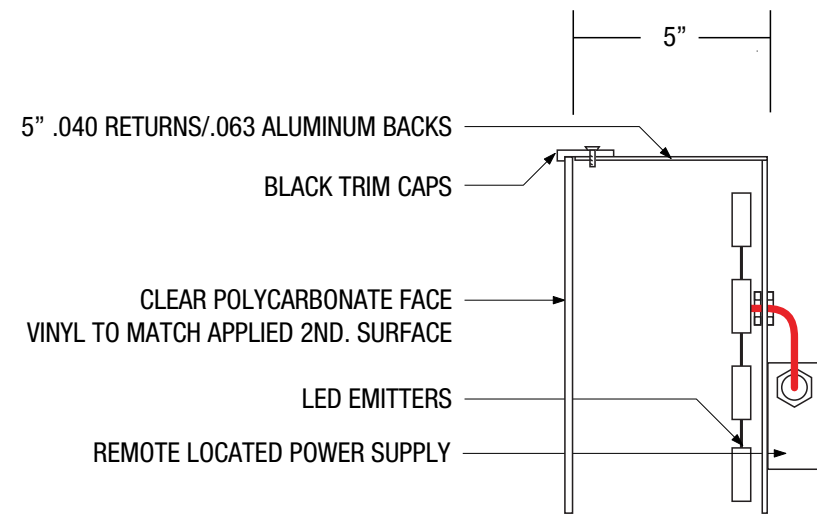
PATTERN DETAIL
1-1/2" = 1'-0"



SIGNAGE PANEL SIDE
1/2" = 1'-0"



SIGNAGE PANEL LAYOUT (LOGO SHOWN FOR EXAMPLE)
1/2" = 1'-0"



FACE LIT SIGNAGE DETAIL
NTS

ALTERNATE 2 END ZONE SPONSOR SIGNAGE

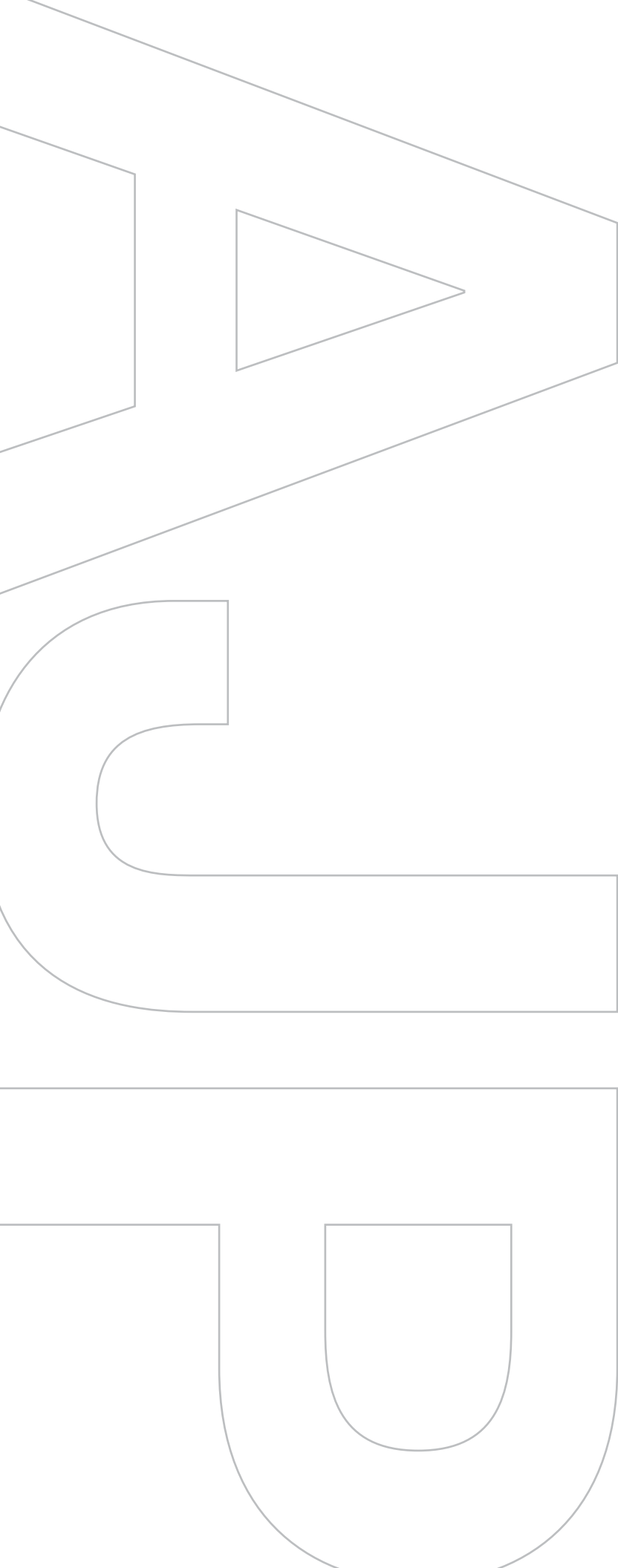
**ANTHONY
JAMES
PARTNERS**

3900 WESTERRE PARKWAY, SUITE 300 804.727.0070
RICHMOND, VIRGINIA 23233 www.anthonyjamespartners.com

THIS ARTWORK IS PROTECTED UNDER FEDERAL AND INTERNATIONAL COPYRIGHT LAW. EXPRESS PERMISSION FROM ANTHONY JAMES PARTNERS (AJP) IS REQUIRED FOR REPRODUCTION. RENDERINGS ARE FOR THE EXCLUSIVE USE OF DESIGNATED CLIENTS, ASSOCIATES AND AJP. THESE RENDERINGS DO NOT REPRESENT FABRICATION OR STRUCTURAL ENGINEER CERTIFIED OR STAMPED DOCUMENTS. MONITOR AND/OR PRINTER CALIBRATION MAY IMPAIR VISUAL ACCURACY OF SPECIFIED COLORS.

OREGON STATE UNIVERSITY - GILL COLISEUM

RFP RENDERING



**ANTHONY
JAMES
PARTNERS.com**

OWNER'S REPRESENTATIVE | AV CONSULTANT

OREGON STATE UNIVERSITY, RESER STADIUM
RFP RENDERINGS

10.16.17

This artwork is protected under federal and international copyright law. Express permission from Anthony James Partners (AJP) is required for reproduction. Renderings are for the exclusive use of designated clients, associates and AJP. These renderings do not represent fabrication or structural engineer-certified or stamped documents. Monitor and/or printer calibration may impair visual accuracy of specified colors.



EAST SIDELINE RIBBON | 16MM 3' X 509' MOUNT TOP OF CABINET WITH DRINK CAP FLUSH WITH TOP OF CONCRETE WALL. NO FLASHING REQUIRED ON UNDERSIDE.

**ANTHONY
JAMES
PARTNERS**

3900 WESTERRE PARKWAY, SUITE 300 804.727.0070
RICHMOND, VIRGINIA 23233 www.anthonijamespartners.com

OREGON STATE UNIVERSITY - RESER STADIUM

THIS ARTWORK IS PROTECTED UNDER FEDERAL AND INTERNATIONAL COPYRIGHT LAW. EXPRESS PERMISSION FROM ANTHONY JAMES PARTNERS (AJP) IS REQUIRED FOR REPRODUCTION. RENDERINGS ARE FOR THE EXCLUSIVE USE OF DESIGNATED CLIENTS, ASSOCIATES AND AJP. THESE RENDERINGS DO NOT REPRESENT FABRICATION OR STRUCTURAL ENGINEER CERTIFIED OR STAMPED DOCUMENTS. MONITOR AND/OR PRINTER CALIBRATION MAY IMPAIR VISUAL ACCURACY OF SPECIFIED COLORS.

RFP RENDERING



ALTERNATE 1 NORTH FIELD LEVEL RIBBON | TWO (2) 16MM 3' X 70' (FIELD VERIFY) FASCIA WITH TOP MOUNTED DRINK CAP ON TOP OF CABINET.

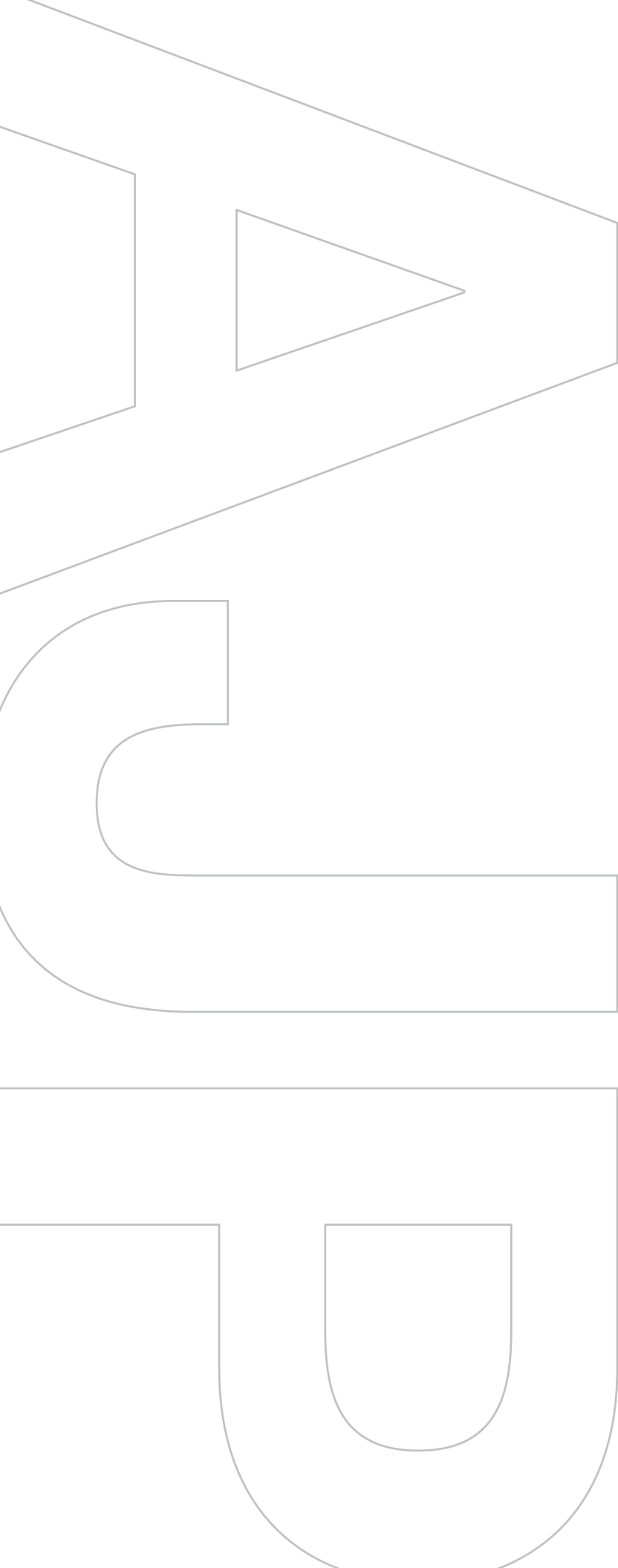
**ANTHONY
JAMES
PARTNERS**

3900 WESTERRE PARKWAY, SUITE 300 804.727.0070
RICHMOND, VIRGINIA 23233 www.anthonyjamespartners.com

THIS ARTWORK IS PROTECTED UNDER FEDERAL AND INTERNATIONAL COPYRIGHT LAW. EXPRESS PERMISSION FROM ANTHONY JAMES PARTNERS (AJP) IS REQUIRED FOR REPRODUCTION. RENDERINGS ARE FOR THE EXCLUSIVE USE OF DESIGNATED CLIENTS, ASSOCIATES AND AJP. THESE RENDERINGS DO NOT REPRESENT FABRICATION OR STRUCTURAL ENGINEER CERTIFIED OR STAMPED DOCUMENTS. MONITOR AND/OR PRINTER CALIBRATION MAY IMPAIR VISUAL ACCURACY OF SPECIFIED COLORS.

OREGON STATE UNIVERSITY - RESER STADIUM

RFP RENDERING



**ANTHONY
JAMES
PARTNERS.com**

OWNER'S REPRESENTATIVE | AV CONSULTANT

OREGON STATE UNIVERSITY, SOFTBALL COMPLEX
RFP RENDERINGS

10.16.17

This artwork is protected under federal and international copyright law. Express permission from Anthony James Partners (AJP) is required for reproduction. Renderings are for the exclusive use of designated clients, associates and AJP. These renderings do not represent fabrication or structural engineer-certified or stamped documents. Monitor and/or printer calibration may impair visual accuracy of specified colors.



ALTERNATE 3 VIDEO DISPLAY RENDER

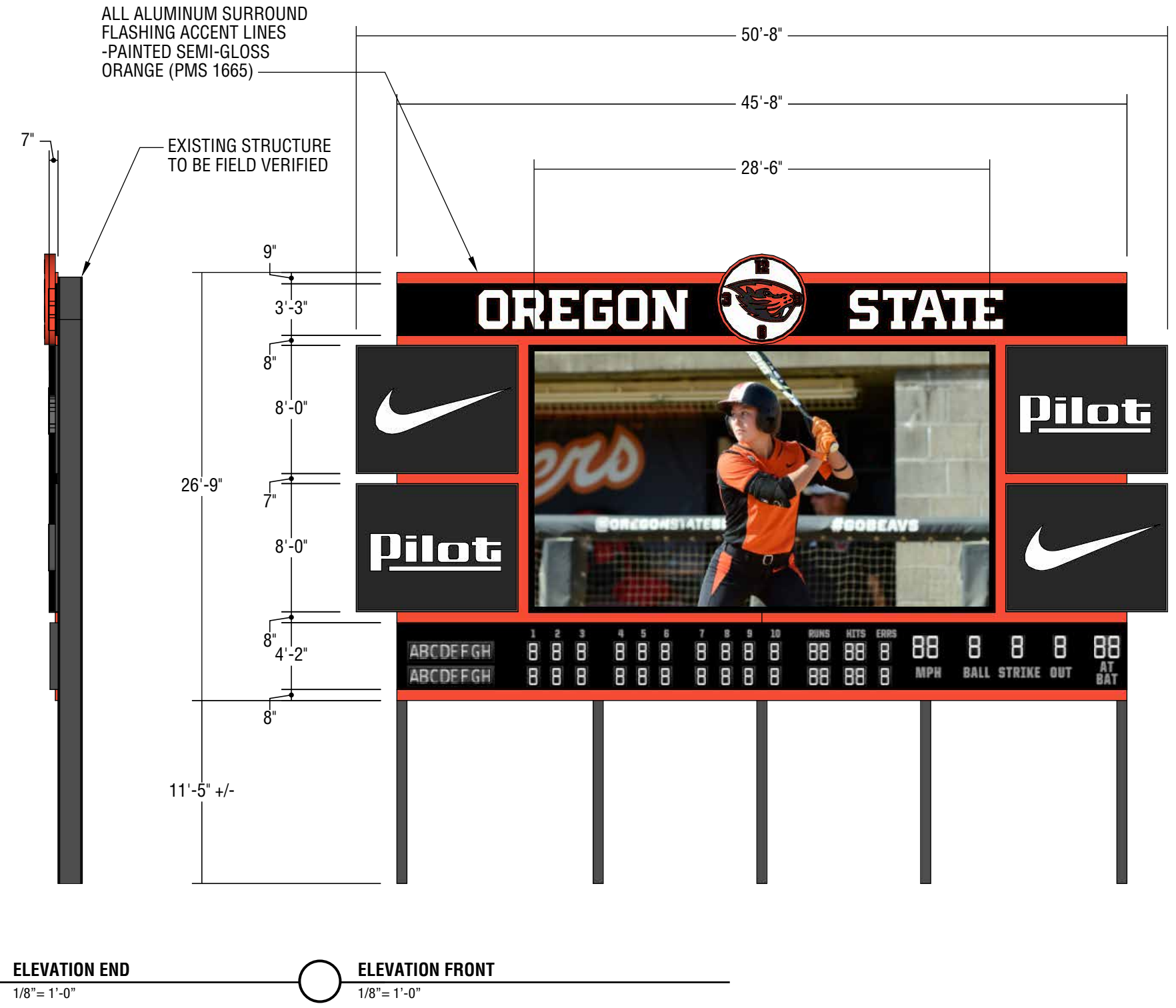
**ANTHONY
JAMES
PARTNERS**

3900 WESTERRE PARKWAY, SUITE 300 804.727.0070
 RICHMOND, VIRGINIA 23233 www.anthonyjamespartners.com

THIS ARTWORK IS PROTECTED UNDER FEDERAL AND INTERNATIONAL COPYRIGHT LAW. EXPRESS PERMISSION FROM ANTHONY JAMES PARTNERS (AJP) IS REQUIRED FOR REPRODUCTION. RENDERINGS ARE FOR THE EXCLUSIVE USE OF DESIGNATED CLIENTS, ASSOCIATES AND AJP. THESE RENDERINGS DO NOT REPRESENT FABRICATION OR STRUCTURAL ENGINEER CERTIFIED OR STAMPED DOCUMENTS. MONITOR AND/OR PRINTER CALIBRATION MAY IMPAIR VISUAL ACCURACY OF SPECIFIED COLORS.

OREGON STATE UNIVERSITY - SOFTBALL COMPLEX

RFP RENDERING



ALTERNATE 3 VIDEO DISPLAY SCOPE OF ASSETS

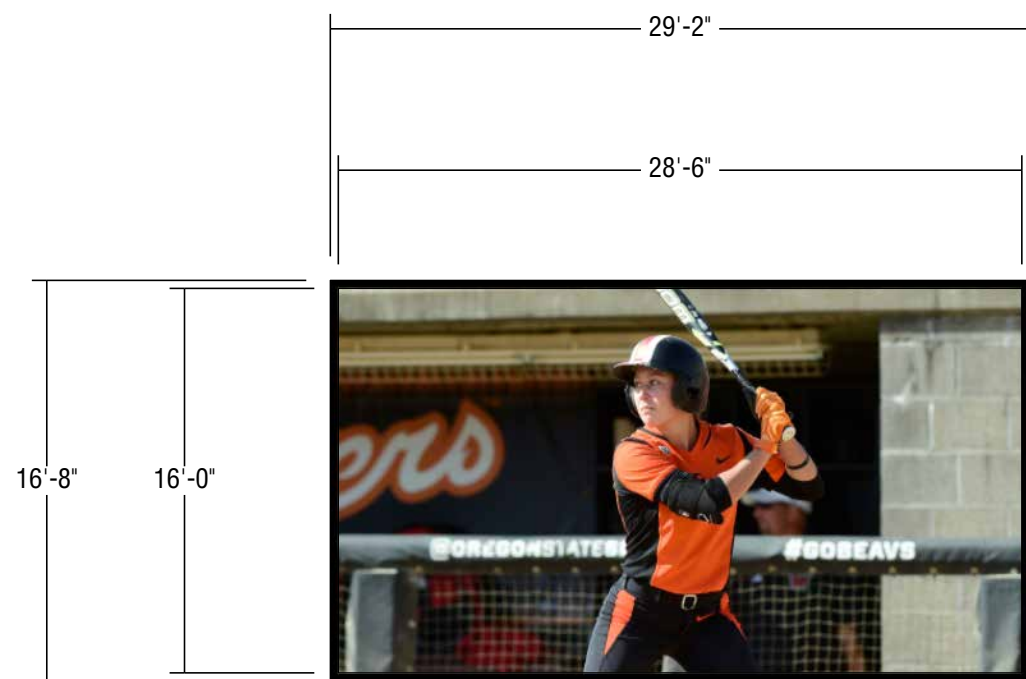
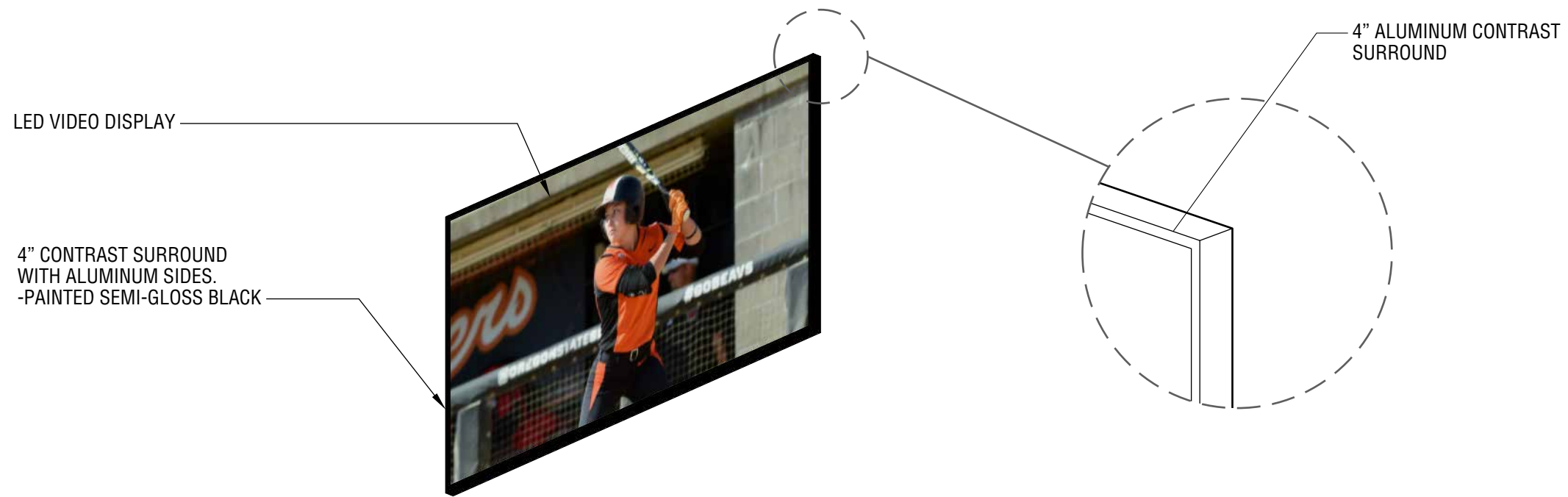
**ANTHONY
JAMES
PARTNERS**

3900 WESTERRE PARKWAY, SUITE 300 804.727.0070
 RICHMOND, VIRGINIA 23233 www.anthonyjamespartners.com

OREGON STATE UNIVERSITY - SOFTBALL COMPLEX

THIS ARTWORK IS PROTECTED UNDER FEDERAL AND INTERNATIONAL COPYRIGHT LAW. EXPRESS PERMISSION FROM ANTHONY JAMES PARTNERS (AJP) IS REQUIRED FOR REPRODUCTION. RENDERINGS ARE FOR THE EXCLUSIVE USE OF DESIGNATED CLIENTS, ASSOCIATES AND AJP. THESE RENDERINGS DO NOT REPRESENT FABRICATION OR STRUCTURAL ENGINEER CERTIFIED OR STAMPED DOCUMENTS. MONITOR AND/OR PRINTER CALIBRATION MAY IMPAIR VISUAL ACCURACY OF SPECIFIED COLORS.

RFP RENDERING



○ LED DISPLAY ELEVATION
1/8" = 1'-0"

ALTERNATE 3 VIDEO DISPLAY LED DISPLAY DETAILS

**ANTHONY
JAMES
PARTNERS**

3900 WESTERRE PARKWAY, SUITE 300 804.727.0070
 RICHMOND, VIRGINIA 23233 www.anthonyjamespartners.com

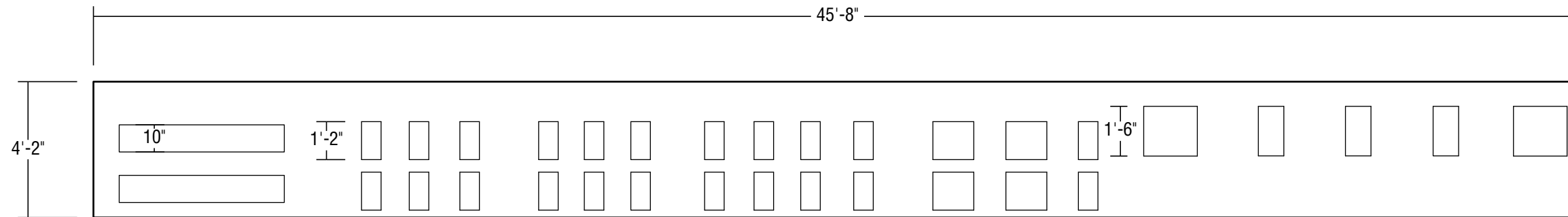
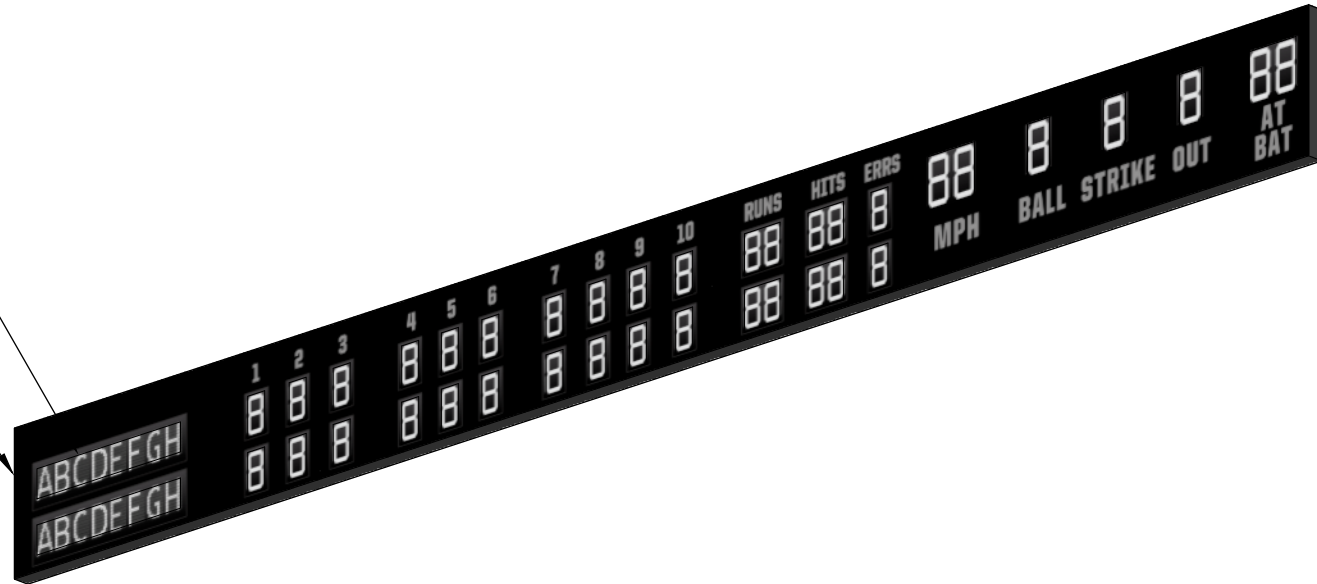
OREGON STATE UNIVERSITY - SOFTBALL COMPLEX

THIS ARTWORK IS PROTECTED UNDER FEDERAL AND INTERNATIONAL COPYRIGHT LAW. EXPRESS PERMISSION FROM ANTHONY JAMES PARTNERS (AJP) IS REQUIRED FOR REPRODUCTION. RENDERINGS ARE FOR THE EXCLUSIVE USE OF DESIGNATED CLIENTS, ASSOCIATES AND AJP. THESE RENDERINGS DO NOT REPRESENT FABRICATION OR STRUCTURAL ENGINEER CERTIFIED OR STAMPED DOCUMENTS. MONITOR AND/OR PRINTER CALIBRATION MAY IMPAIR VISUAL ACCURACY OF SPECIFIED COLORS.

RFP RENDERING

WHITE LED FIXED DIGITS
 -10" ALPHA NUMERIC HTS
 -14" LINE SCORE / R H E
 -18" MPH / BALL / STRIKE / OUT / AT BAT

6" DEEP CABINET
 -PAINTED SEMI-GLOSS BLACK
 -CAPTIONS PAINTED SEMI-GLOSS WHITE



○ FIXED DIGIT LAYOUT
 1/4" = 1'-0"



○ FIXED DIGIT WITH PAINTED CAPTIONS
 1/4" = 1'-0"

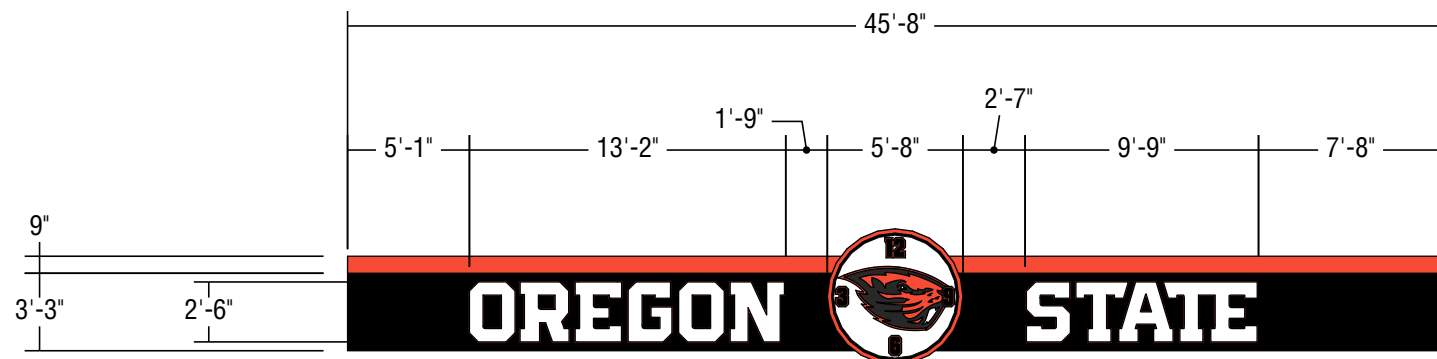
ALTERNATE 3 VIDEO DISPLAY FIXED DIGIT SCOREBOARD

DIGITALLY PRINTED
 GRAPHICS ON FACE OF
 CLOCK MECHANISM
 RETAINERS/ RETURNS
 -PAINTED SEMI-GLOSS
 ORANGE (PMS 1665)

BACKLIT ACRYLIC FACES

5" DEEP CHANNEL LETTERS
 -PAINTED SEMI-GLOSS
 ORANGE (PMS 1665)

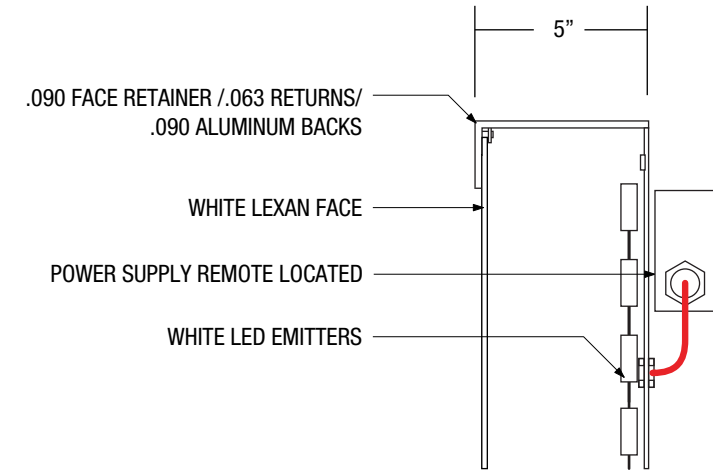
BACKGROUND PANEL WITH
 ALUMINUM SIDES.
 -PAINTED SEMI-GLOSS BLACK
 -ACCENT PAINTED SEMI-
 GLOSS ORANGE (PMS 1665)



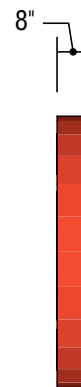
○ **HEADER PANEL AND LOGOTYPE LAYOUT**
 1/8" = 1'-0"



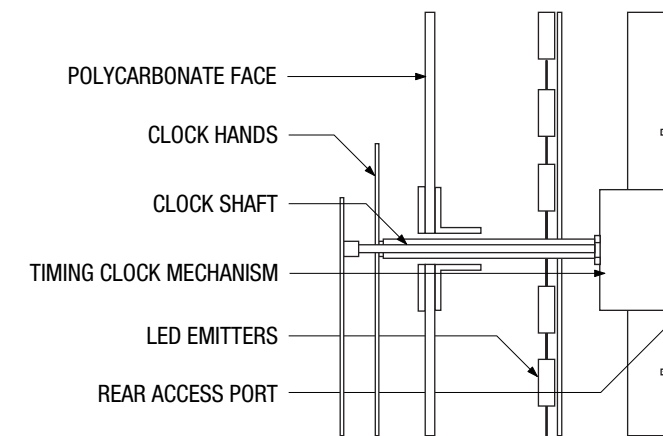
○ **SIGNAGE AND PANEL**
 1/4" = 1'-0"



○ **LOGOTYPE SIGNAGE DETAIL**
 NTS



○ **CLOCK AND PANEL**
 1/4" = 1'-0"



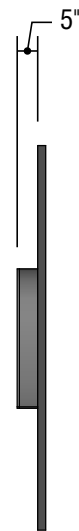
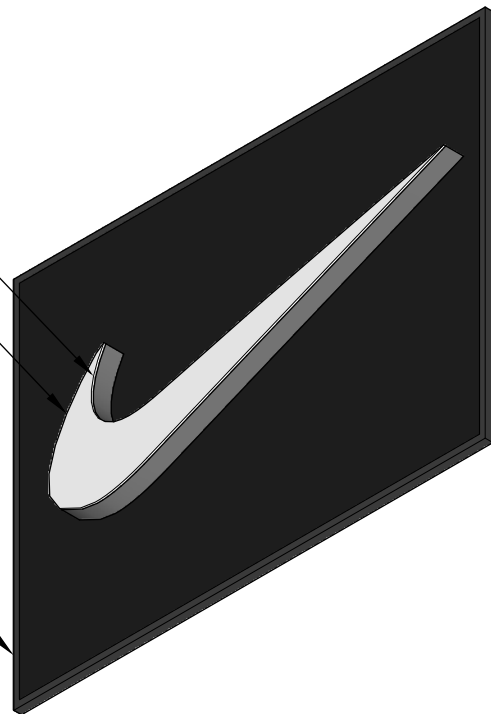
○ **CLOCK / MECHANISM DETAIL**
 NTS

ALTERNATE 3 VIDEO DISPLAY HEADER / CLOCK SIGNAGE

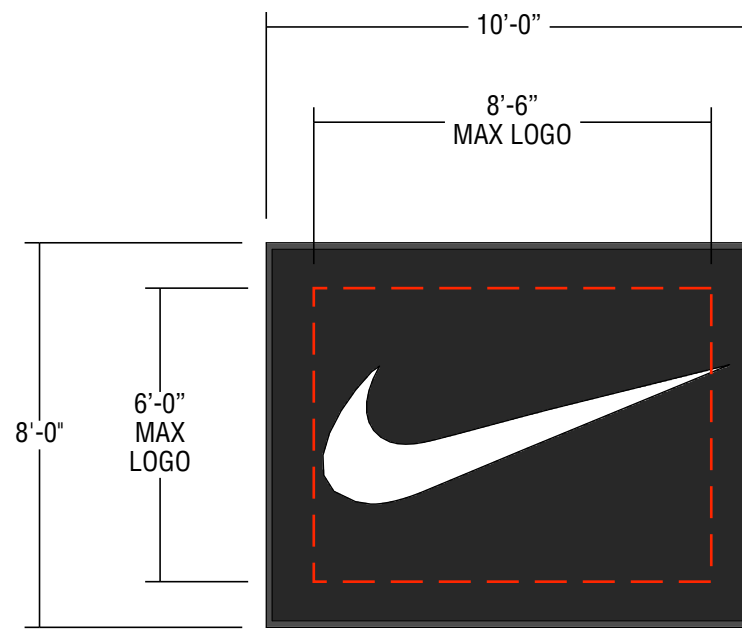
ACRYLIC FACES
(WHITE FACE PREFERENCE)
TRIM CAPS TO MATCH
RETURNS (877 SILVER PREF.)

5" DEEP CHANNEL LETTERS
-PAINTED SEMI-GLOSS TBD
PER SPONSOR

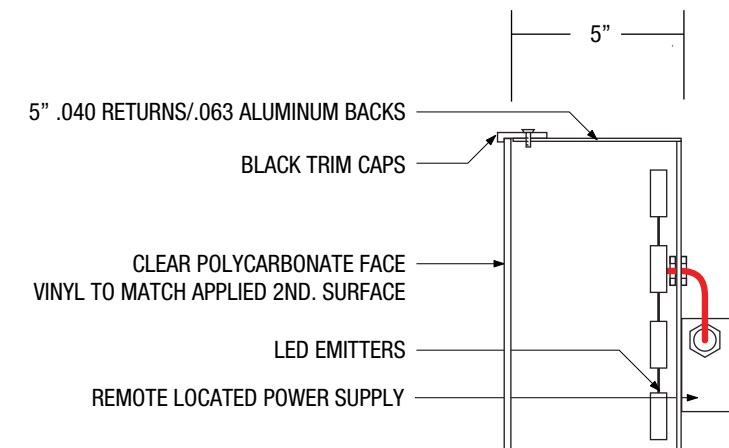
ALUMINUM INTERCHANGEABLE PANEL
-PAINTED SEMI-GLOSS BLACK



SIGNAGE PANEL SIDE
1/4" = 1'-0"



SIGNAGE PANEL LAYOUT (LOGO SHOWN FOR EXAMPLE)
1/4" = 1'-0"



FACE LIT SIGNAGE DETAIL
NTS

ALTERNATE 3 VIDEO DISPLAY SPONSOR SIGNAGE

**ANTHONY
JAMES
PARTNERS**

3900 WESTERRE PARKWAY, SUITE 300 804.727.0070
RICHMOND, VIRGINIA 23233 www.anthonyjamespartners.com

THIS ARTWORK IS PROTECTED UNDER FEDERAL AND INTERNATIONAL COPYRIGHT LAW. EXPRESS PERMISSION FROM ANTHONY JAMES PARTNERS (AJP) IS REQUIRED FOR REPRODUCTION. RENDERINGS ARE FOR THE EXCLUSIVE USE OF DESIGNATED CLIENTS, ASSOCIATES AND AJP. THESE RENDERINGS DO NOT REPRESENT FABRICATION OR STRUCTURAL ENGINEER CERTIFIED OR STAMPED DOCUMENTS. MONITOR AND/OR PRINTER CALIBRATION MAY IMPAIR VISUAL ACCURACY OF SPECIFIED COLORS.

OREGON STATE UNIVERSITY - SOFTBALL COMPLEX

RFP RENDERING



ETC, Inc.

3031 Pleasant View Rd
 PO Box 620979
 Middleton WI 53562-0979
 Tel +1 608 831 4116
 Toll Free +1 800 688 4116
 Fax +1 608 836 1736
 etconnect.com

UNLESS OTHERWISE SPECIFIED
 ALL DIMENSIONS ARE IN INCHES.

ORIGINAL FILE:
 CUSTOM

CONTRACT WITH:
 NONE

REPRESENTATIVE:
 NONE

PROJECT MANAGER:
 TBD

APPLICATIONS ENGINEER:
 ROBERT VOSS

DRAWING TITLE:
 LAYOUT - DUAL MD-7512-2
 HOIST SYSTEM 30k CAPACITY

RTV	10/13/17	PROPOSAL
-----	----------	----------

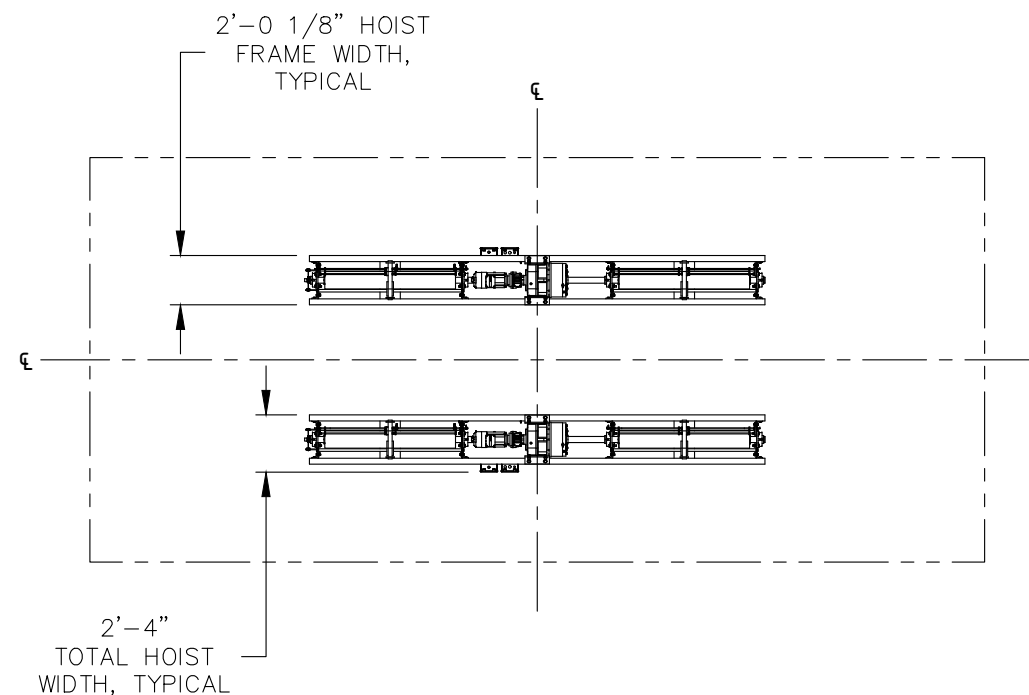
BY	DATE	REV.
----	------	------

JOB:
 OREGON STATE UNIVERSITY

LOCATION:
 CORVALLIS, OREGON

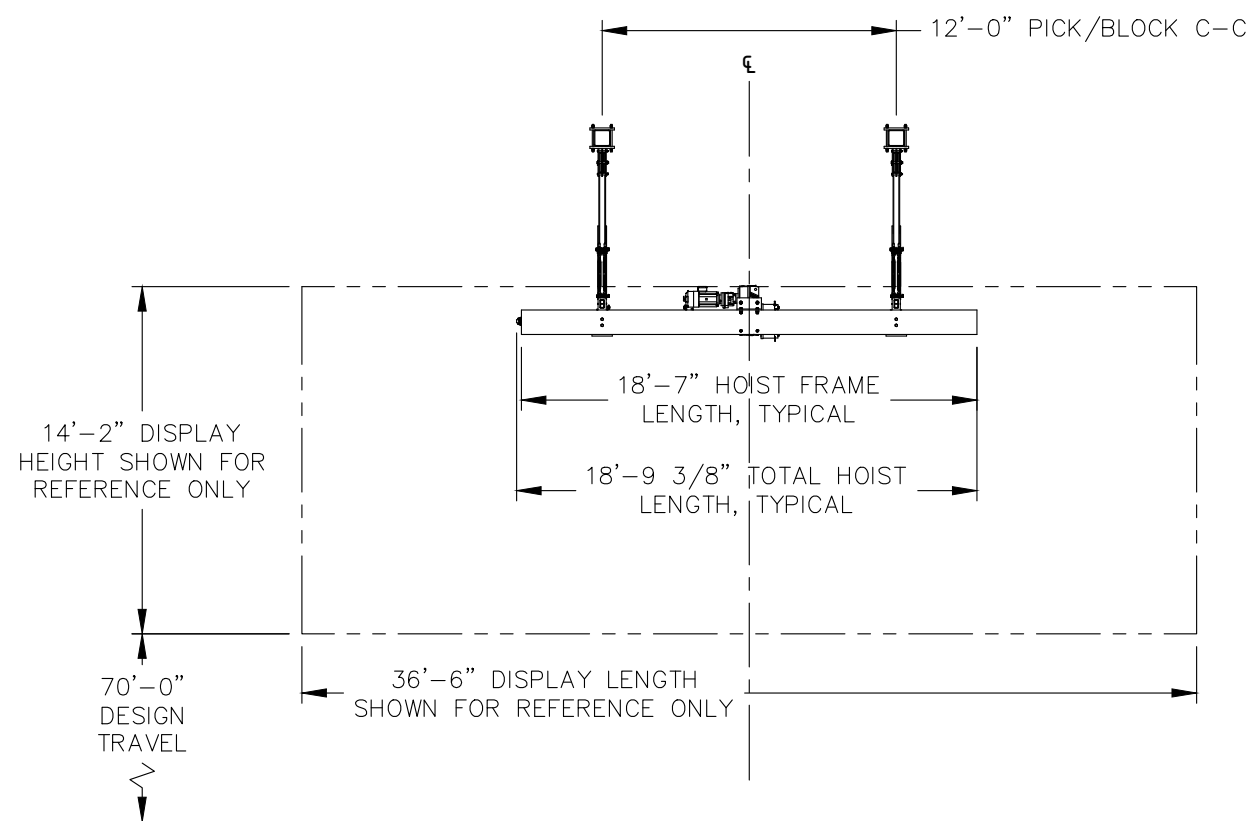
JOB NUMBER:
NONE

DRAWING:
1

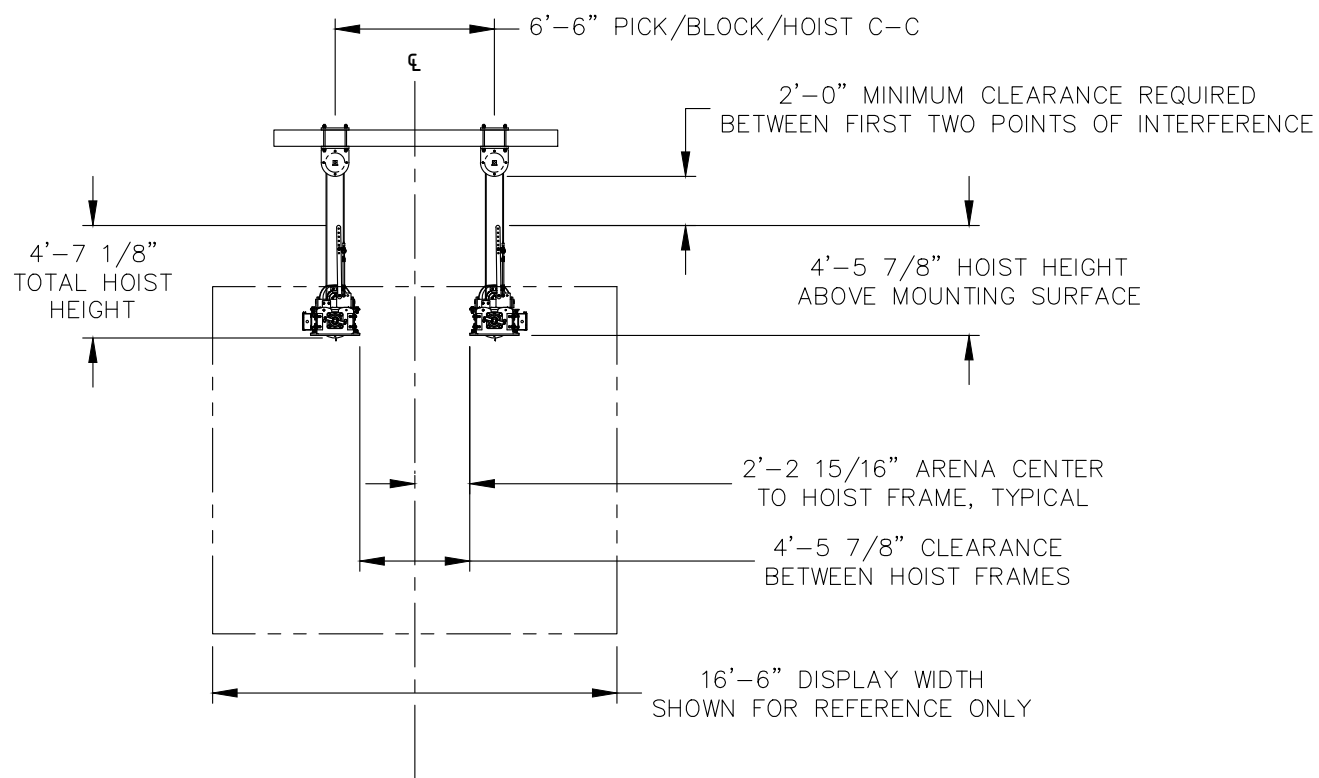


RIGGING SYSTEM NOTES

1. CAPACITIES/WEIGHTS
 - 1.1. TOTAL LIFTING CAPACITY: 30,000 LBS.
 - 1.2. MAXIMUM WEIGHT OF RIGGING EQUIPMENT MOUNTED TO DISPLAY: 7,600 LBS.
 - 1.3. RESULTING LIFTING CAPACITY AVAILABLE FOR DISPLAY: 22,400 LBS.
2. SYSTEM TO BE DOUBLE REEVED
3. SYSTEM TO BE DESIGNED FOR 70 FEET OF TRAVEL



FRONT ELEVATION VIEW



SIDE ELEVATION VIEW