



Construction Contracts Administration, Procurement, Contracts, & Materials Management (PCMM)
Oregon State University, 644 SW 13th Ave., Corvallis, Oregon 97333
T 541-737-4672 | F 541-737-5546

June 5, 2017

Oregon State University
Construction Contracts Administration
30th Street Storm Renewal Rebid

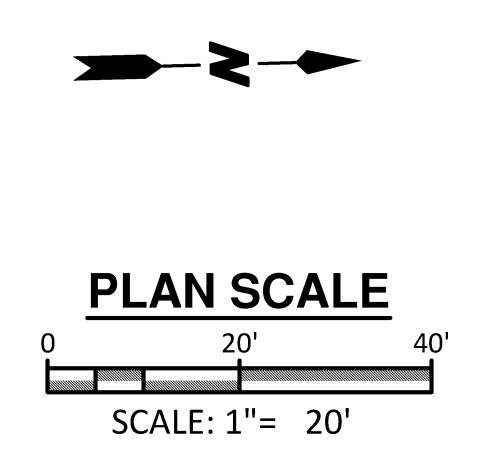
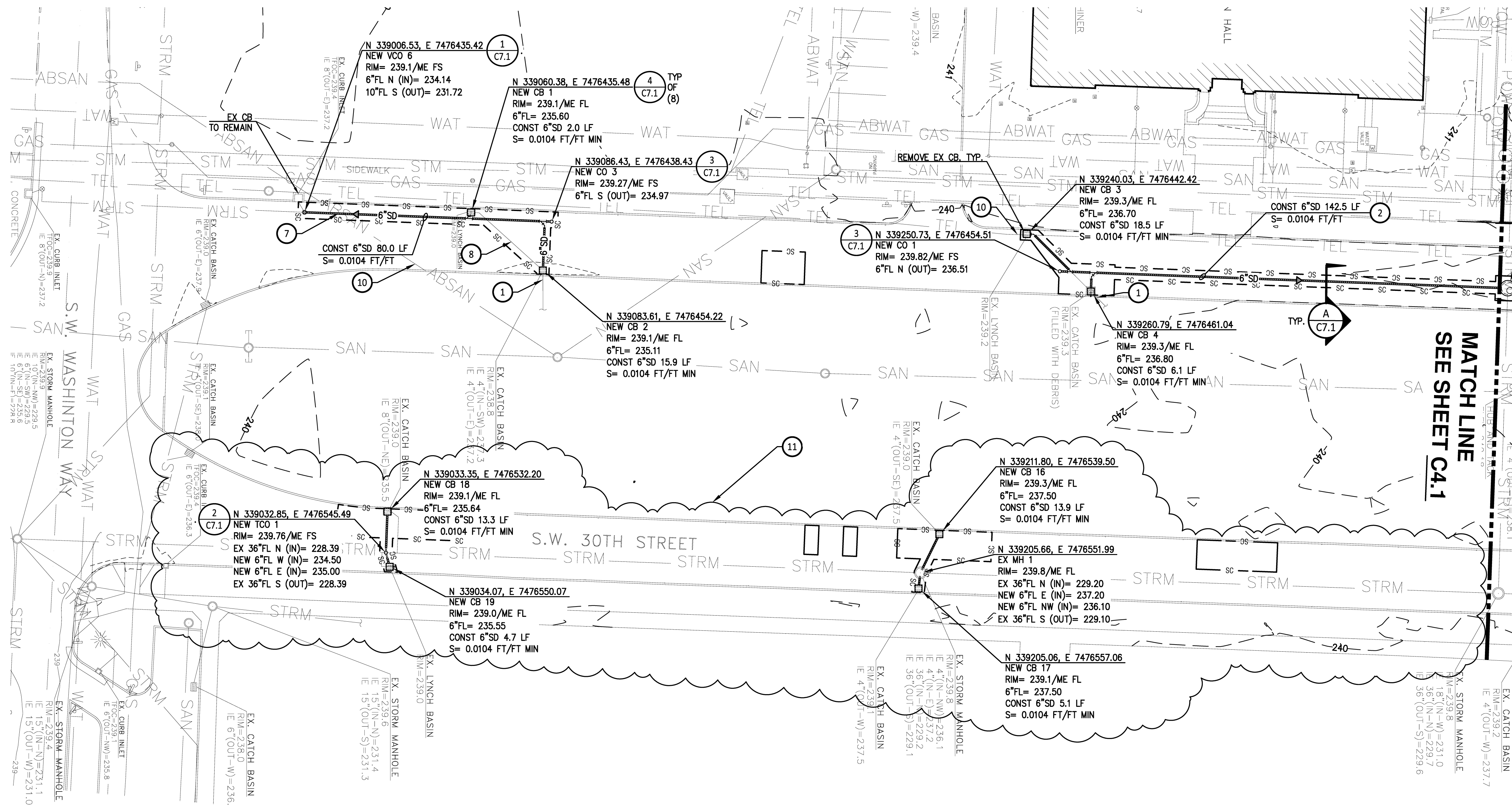
ADDENDUM NO. 1

THIS ADDENDUM IS BEING ISSUED for clarification and/or revisions of the drawings as noted. This document is hereby made a part of the Contract Documents to the extent as though it was originally included herein.

TECHNICAL SPECIFICATIONS:

- Item 1 Updated Sheet C4.0 to Revision 1 dated 06/05/2017:
Under Construction Note 2, the distance for the Alternate One direction horizontal directional drill has been changed from 154 linear feet to 142.5 linear feet.

END OF ADDENDUM NO. 1



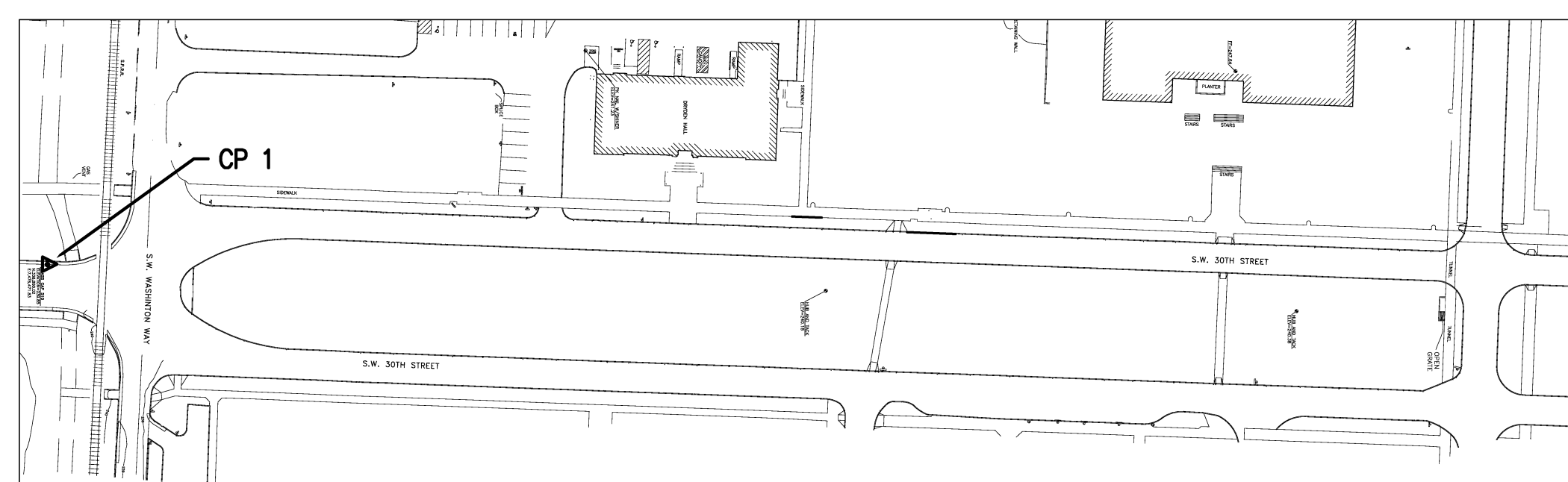
SHEET NOTES

- A. REFER TO SHEET C2.0 FOR LEGENDS AND GENERAL NOTES.
- B. REFER TO DETAIL 1/C4.0 FOR PROJECT HORIZONTAL CONTROL POINT.
- C. CONTRACTOR SHALL PROVIDE ALL PROJECT HORIZONTAL AND VERTICAL LAYOUT OF WORK.

CONSTRUCTION NOTES

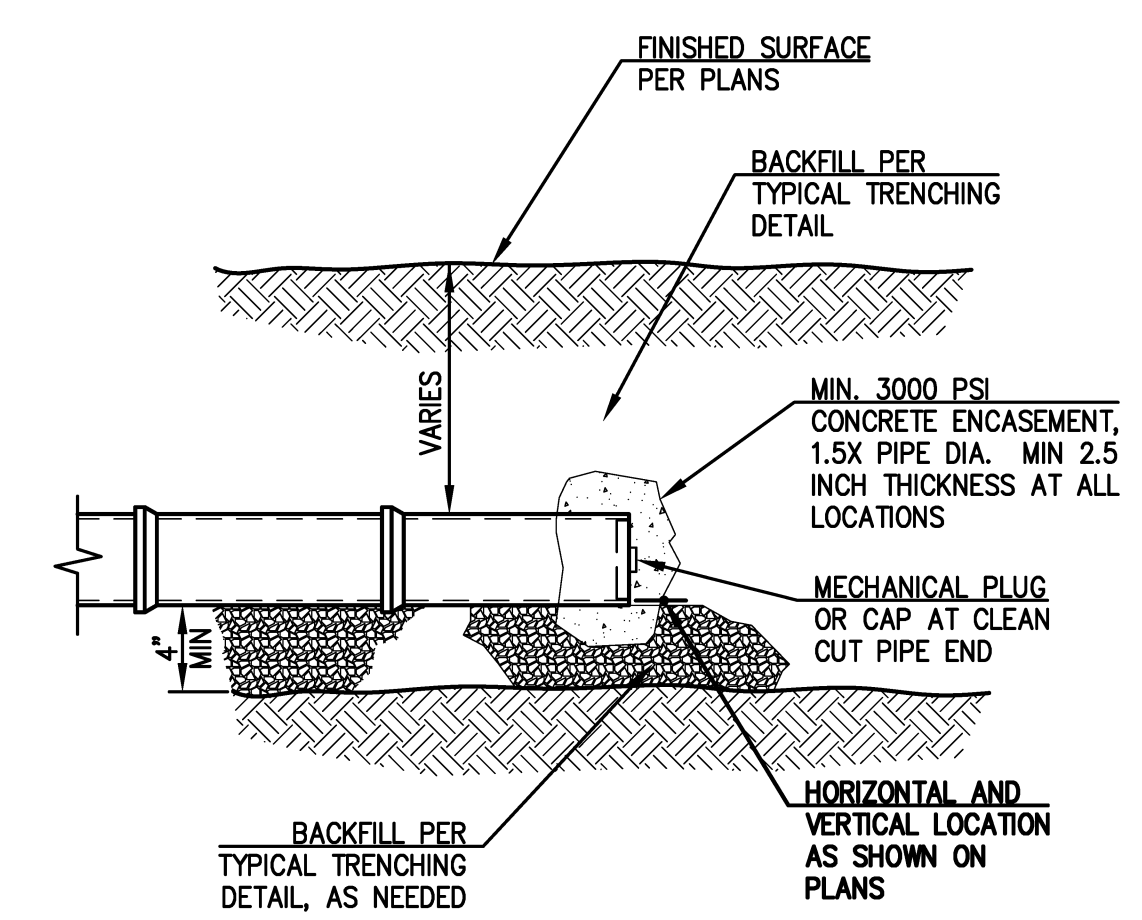
1. HYDRO-EXCAVATE EXISTING STORM DRAIN LINE AND CAP EXISTING PIPE PER DETAIL 2/SHEET C4.0. VERIFY THE EXISTENCE OF TREE ROOTS PRIOR TO WORK. COORDINATE WITH PROJECT ARBORIST PRIOR TO CUTTING ANY TREE ROOTS.
2. ALTERNATE ONE: HORIZONTAL DIRECTIONALLY DRILL 142.5 LINEAR FEET OF NEW 6-INCH HDPE STORM DRAIN LINE IN LIEU OF SAWCUTTING, TRENCHING AND BACKFILL.
3. NOTE NOT USED.
4. NOTE NOT USED.
5. NOTE NOT USED.
6. NOTE NOT USED.
7. POTHOLE EXISTING ABANDONED SANITARY SEWER PIPE TO CONFIRM TOP OF PIPE ELEVATION OF APPROXIMATELY 233.9'. NOTIFY OWNER IF VERTICAL CONFLICT EXISTS WITH NEW STORM DRAIN PIPE INVERT ELEVATION.
8. REMOVE EXISTING STORM DRAIN PIPE THROUGH STREET EXTENTS.
9. NOTE NOT USED.
10. PRESERVE AND PROTECT EXISTING UTILITY.
11. WORK IN NORTHBOUND LANE OF 30TH STREET IS SHOWN FOR INFORMATIONAL PURPOSES ONLY AND IS NOT TO BE INCLUDED WITH THE BID SCOPE.

MATCH LINE SEE SHEET C4.1



1 HORIZONTAL CONTROL POINTS
1" = 100'

| CONTROL POINTS (CP) | | | | |
|---------------------|-----------|------------|-----------|---------------|
| POINT | NORTHING | EASTING | ELEVATION | DESCRIPTION |
| 1 | 338860.02 | 7476471.83 | 239.85 | BRASS CAP 510 |



2 TYPICAL PIPE TERMINATION
NO SCALE

PROJECT TITLE

REVISIONS

| REVISION | DATE |
|------------|------------|
| ADDENDUM 1 | 06/05/2017 |

DATE: 05/01/2017
DESIGNER: ZG
PROJECT: 7000-001-16
FILE: C4.0-C4.1_STRM.dwg

SHEET TITLE
STORM DRAIN PLAN

SHEET No
C4.0