

GENERAL NOTES FOR NON-WATER WASH VENTILATORS

- ELECTRICAL**
1. Locate Fan Start/Stop Switch in a convenient location. Refer to the wiring diagram for required voltage.
 2. If ventilators are equipped with light fixtures, provide a separate light circuit to the ventilator as shown on electrical plan.
- EXHAUST VOLUME REQUIREMENTS**
3. Exhaust Volumes as shown on the drawings are determined by established Gaylord engineering methods and in accordance with the terms of the ventilator's listing. These air volume levels require that the make-up air be brought into the space in such a way that it does not negatively affect the ventilator. See the Make-up Air Requirements and the "Typical Design" drawing.
 4. Ventilator static pressure is noted on each ventilator plan view. Total duct system and other external static's must be added to the ventilator static for determining the total system static pressure drop. Static based on operation at mean sea level at 75°F kitchen ambient.
- MAKE-UP AIR REQUIREMENTS**
5. Make-up air is critical to the performance of the ventilator.
 6. The total amount of make-up air (supply air) brought into the kitchen must be between 90% and 100% of the total exhaust volume. It should be brought in throughout the kitchen evenly for best results. See the "Typical Design" drawing.
- AIR FLOW RATES**
7. Exhaust and Supply Air Flow Rates were established under controlled laboratory conditions. Greater Exhaust and/or lesser Supply Air Flows may be required for complete vapor removal in specific installations.
- INSTALLATION**
8. Ventilators to be installed in accordance with NFPA-96 and all other local applicable codes. Contractors must review applicable codes with code authorities before approving drawings for fabrication. Special attention must be given to code regulations relative to clearances from surrounding combustible and limited combustible construction (walls, ceiling, etc.).
 9. Ventilators manufactured in multiple sections are factory pre-wired to a single connection point. Ventilator wiring is disconnected for shipment to be reconnected by electrical contractor.
 10. Ventilators manufactured in multiple sections may have drains factory interconnected (see drawing) to a single outlet point. Ventilator plumbing is disconnected for shipment to be reconnected by plumbing contractor.
11. All ductwork beyond the ventilator duct take-off collar to be provided and installed by others, in accordance with applicable codes. Exhaust ducts must be continuously welded liquid tight.
 12. All ventilators are equipped with hanging brackets. Hanging rods to be supplied by ventilator installer. Hanging weight of the ventilator(s) is noted on each drawing.
 13. Ventilators manufactured in multiple sections are provided with bolts, clips, and all necessary hardware for reconnecting by the ventilator installer.
- CONSTRUCTION**
14. Ventilators are manufactured in strict accordance with Gaylord specifications.
 15. Ventilators constructed of 18 Ga. stainless steel, Type 300 series, No. 4 finish unless otherwise noted on drawings.
- FIRE EXTINGUISHING SYSTEM**
16. Fire extinguishing system to be installed in accordance with NFPA-96. Refer to "FIRE PROTECTION SYSTEM NOTES" for information on supplier and installation.
 17. Caution: Fire extinguishing system piping installed on the ventilator at job site should be coordinated with Gaylord to ensure piping does not interfere with the ventilator's operation/performance. Improper installation may void the Listings of the ventilator.
 18. **IMPORTANT NOTE:** NFPA-96 requires that all gas and electric cooking equipment, that is protected by surface fire protection, must automatically shut off upon activation of the fire extinguishing system.
 19. **IMPORTANT NOTE:** Most building departments require separate hood and fire protection permits prior to installation. The hood permit is typically obtained through the plan review department and the fire protection permit from the fire prevention bureau. It is the responsibility of the installing contractor to check with local building departments for their requirements and to obtain necessary permits.
- LIGHTING**
20. Light fixtures in ventilators will provide less than 30 foot candles of light at the cooking surface as a standard, unless otherwise noted on Section View. Confirm if this amount of light is acceptable with local health codes.

THE GAYLORD VENTILATOR TESTING, LISTING AND COMPLIANCE REFERENCES:

IMPORTANT NOTE: Gaylord Ventilators are designed to meet the National codes listed below. Local codes may vary. Gaylord Industries must be notified in writing of local codes that may affect the ventilator design.

NATIONAL FIRE PROTECTION ASSOCIATION
The exhaust ventilator meets all requirements of the latest edition of NFPA-96.

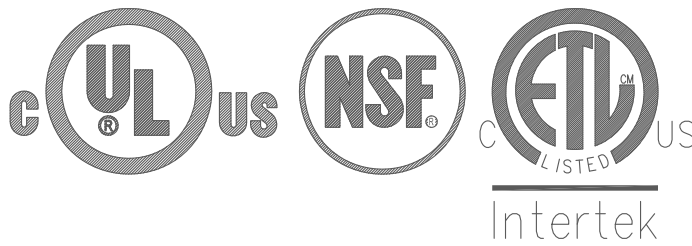
NATIONAL SANITATION FOUNDATION
The exhaust ventilator is NSF listed to: Standard #2 - "Food Service Equipment"

INTERNATIONAL & UNIFORM MECHANICAL CODE
The exhaust ventilator meets all requirements of IMC and UMC.

UNDERWRITERS LABORATORIES, INC.
The exhaust ventilator is UL Listed. *

INTERTEK TESTING SERVICES
The exhaust ventilator is ETL Listed. *

* UL and ETL listed exhaust ventilators are tested to standard: UL 710 - "Exhaust Hoods for Commercial Cooking Equipment".



APPROVAL NOTICE

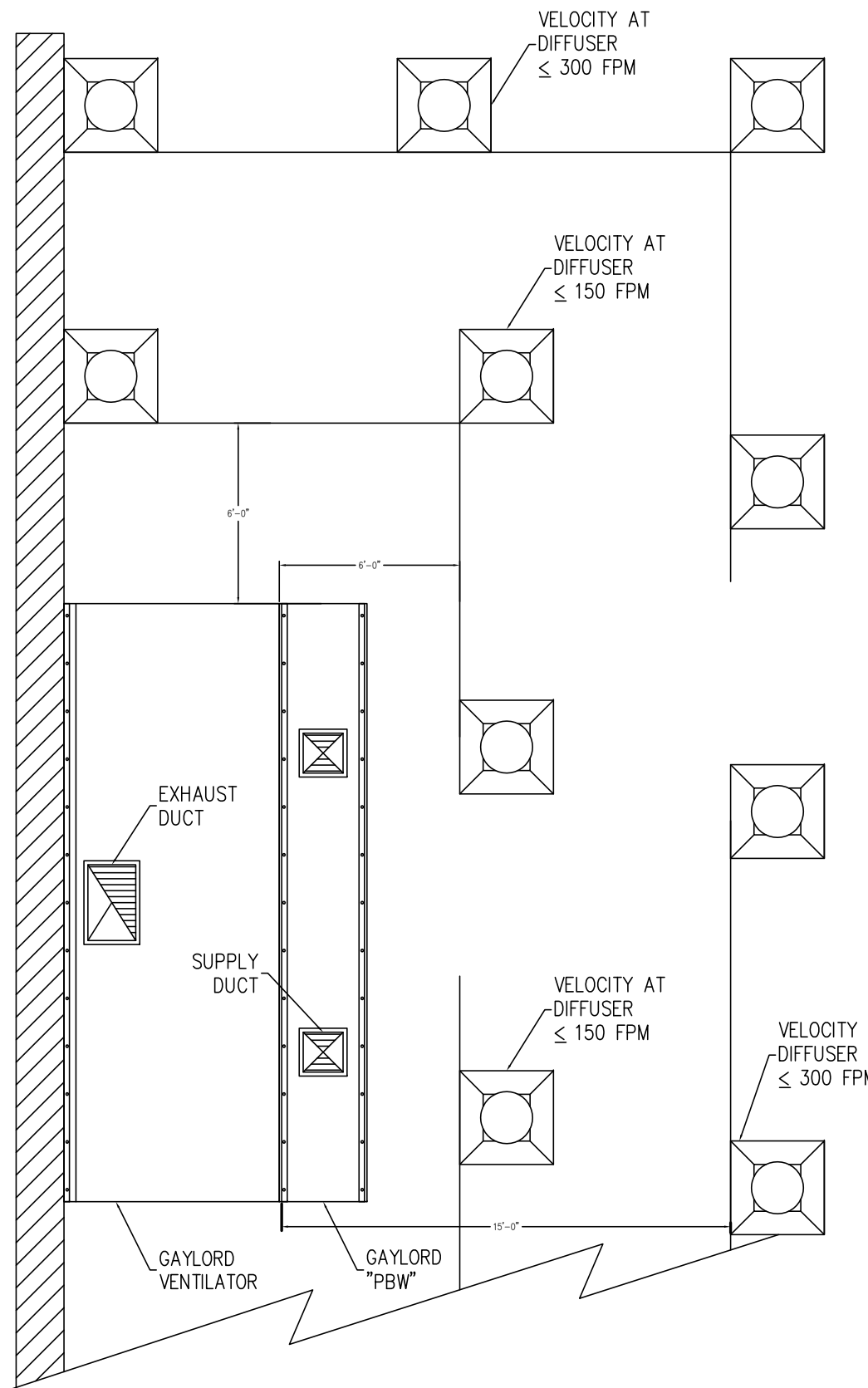
Prior to releasing the ventilator for fabrication, this drawing must be signed by an authorized representative of the company ordering the equipment and returned to GAYLORD INDUSTRIES. By approving these drawings, the company ordering the equipment agrees to the general notes, accepts the equipment as shown, and has verified the following have been checked:

- IMPORTANT NOTICE**
1. All dimensions such as duct size and location, drain and hot water location, ceiling height, overall size of ventilator, clearances to beams and other obstructions.
 2. The location of the cooking equipment in relation to the ventilator is correct as shown for proper placement of the surface fire protection nozzles.

APPROVED FOR FABRICATION
Any changes in cooking equipment location, necessitating the relocation of the surface fire protection nozzles must be brought to the attention of GAYLORD INDUSTRIES in writing, prior to the kitchen being turned over to operating personnel.

- Revise and Resubmit
- Without changes
- With changes as shown

Signature _____ Date _____

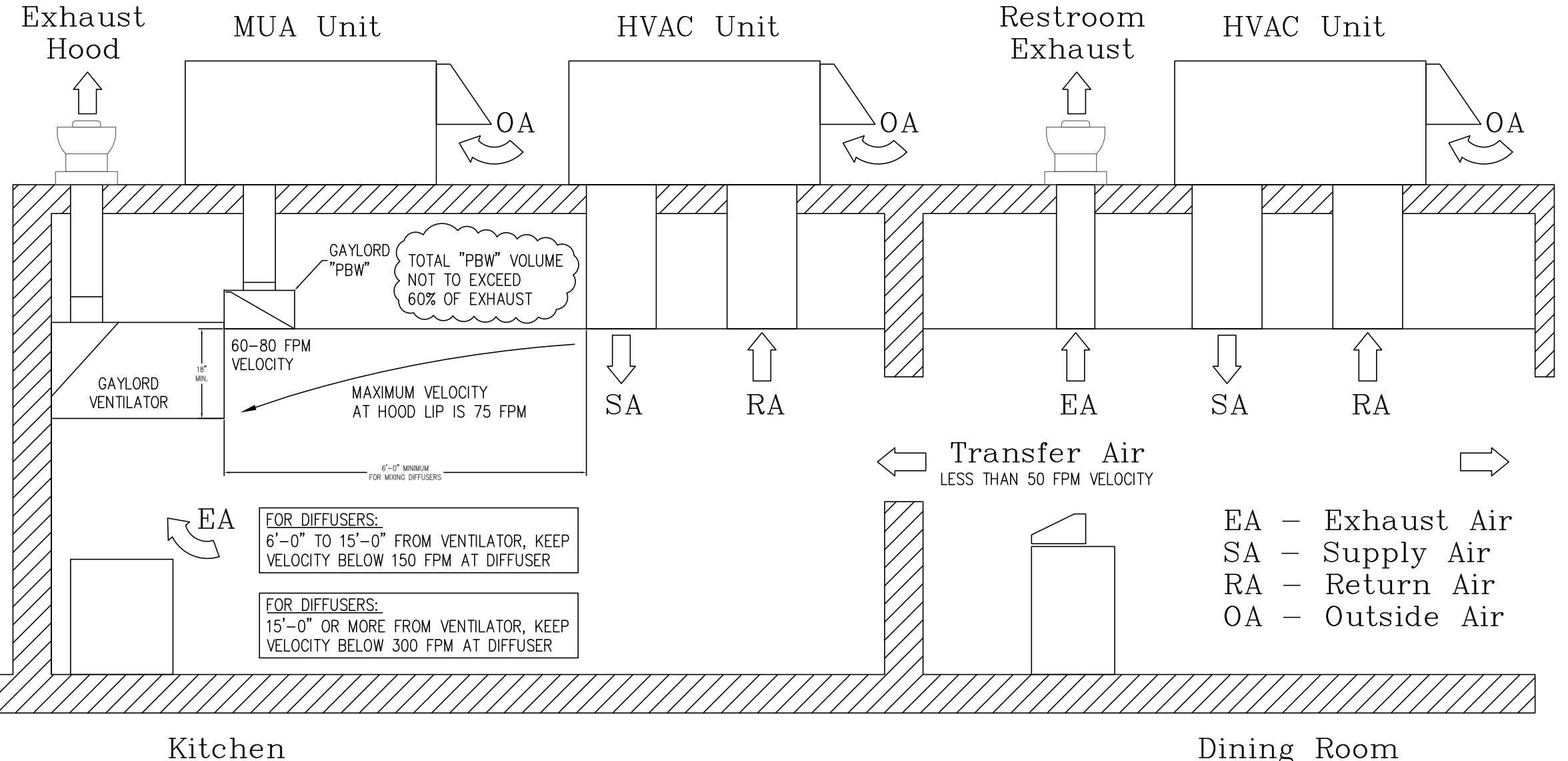


Gaylord Capture Performance Guarantee
Gaylord warrants the Capture Performance of the ventilator, only if the Exhaust Air Volumes are correct, per the Exhaust Air Volume Guidelines, and the Make-up Air Volumes are correct and the make-up air is delivered correctly, per the Make-up Air Delivery Guidelines as stated below.

- Exhaust Air Volume Guidelines:**
1. The amount of air exhausted by the Gaylord Ventilator shall be between 100% and 110% of the values shown on the Plan View for the Exhaust Ducts for each ventilator

- Make-up Air Delivery Guidelines:**
1. Gaylord "PBW" Plenum boxes shall be included for each ventilator
 2. The amount of make-up air delivered through the Gaylord "PBW" plenum boxes shall be between 90% and 100% of the values shown on the Plan View for the Supply Ducts for each ventilator
 3. The make-up air delivered using Gaylord "PBW" plenum boxes shall not exceed 60% of the exhaust volume of the ventilator
 4. Ceiling diffusers shall be at least 6'-0" from all sides of the ventilator and the velocity at the diffuser shall not exceed 150 Feet per Minute (FPM)
- OR**
- Ceiling diffusers shall be 15'-0" from all sides of the ventilator and the velocity at the diffuser shall not exceed 300 Feet per Minute (FPM)
5. The maximum velocity of the make-up air from Transfer Air, Diffusers, etc. shall not exceed 75 FPM at the ventilator lip
 6. Cross drafts from pass through windows, hallways, or other openings shall not exceed 50 FPM
 7. All forms of make-up air introduction (PBW, Transfer Air, Diffusers, etc.) must be evenly distributed around each ventilator to prevent unequal pressurization
 8. Kitchen pressurization shall not exceed -0.02"W.G. relative to the dining or adjacent spaces, as stated in NFPA-96 and ASHRAE Standard 154
 9. For more information on acceptable methods of Make-up Air Delivery reference ASHRAE Standard 154.

Following these guidelines will result in proper capture and containment at the ventilator and enact the Gaylord Capture Performance Guarantee. If jobsite conditions cannot accommodate these guidelines, consult factory for alternative design.



TYPICAL DESIGN

| INSTALLATION INFORMATION | | | |
|--------------------------|---------|----------|--------------------------|
| REV | DRWN BY | DATE | REVISIONS |
| 03 | RS | 04-08-14 | REVISED SHEET QUANTITY |
| 01 | RS | 05-09-11 | REVISED NUMBER OF SHEETS |

This plan is made from available information, but measurements are to be verified by contractors, installers and others in connection with this job. Gaylord Industries accepts no responsibility for work done by contractors, installers and others, and will not stand any expense for charges made necessary by local building codes, ordinances, structural conditions or by the substitution or changes in equipment shown in this plan. This plan must be verified and approved by proper parties before fabrication can be started and approval shall not be made unless contractors, installers and others have reviewed applicable codes with code authorities. Reference is made to the general notes, which are a part of these plans and all contractors, installers and others utilizing these plans are advised they are responsible for examining and becoming familiar with said general notes before commencing any work hereunder. Any inconsistencies between these plans and the general notes, or between these plans, the general notes, and local building codes or ordinances must be immediately called to the attention of Gaylord Industries in writing so that any such inconsistencies can be resolved.

GAYLORD INDUSTRIES
10900 S.W. AVERY ST.
TUALATIN, OR 97062
TELEPHONE: (503) 691-2010
TOLL FREE: (800) 547-9696
FAX NO.: (503) 692-6048
E-MAIL: gaylord@gaylordusa.com

| | | |
|---|----------------|--------------------------|
| MODEL # | ITEM # | WORK ORDER # |
| RS | | |
| PORTLAND STATE UNIVERSITY Portland, OR | | |
| DRAWING NO. 11-0527 | DATE: 04-14-11 | REV: 03 SHEET NO: 1 of 5 |

SCALE
DRAWING NOT TO SCALE



InSite Group, Inc.
Consulting Engineers
310 SW 4th Ave., Suite 1120
Portland, OR 97204
Phone: (503) 222-2044
Fax: (503) 222-5924

PORTLAND STATE UNIVERSITY
SMSU
KITCHEN HOOD
REPLACEMENT

| DATE | DWN BY | CHK BY |
|------------|---------|--------|
| 4/4/2014 | PJM | CCW |
| REVISIONS | | |
| APPENDIX # | 4/10/14 | |

SHEET NUMBER
FS601
DRAWING TYPE
PERMIT SET
CAD FILE
PROJECT NO.
13-3914-0

| | | |
|------------|----------|----------|
| DATE: | DWN. BY: | CHK. BY: |
| 4/4/2014 | PJM | CCW |
| REVISIONS | | |
| APPENDIX # | 4/10/14 | |

| |
|--------------|
| SHEET NUMBER |
| FS602 |
| DRAWING TYPE |
| PERMIT SET |
| CAD FILE |
| PROJECT NO. |
| 13-3914-0 |

HOOD INFORMATION

| ITEM NO. | MODEL | SIZE | | | S.P. TEST PORT ("W.G.) | AIR FLOW REQUIREMENTS | | | | | WEIGHT (LBS) | |
|----------|-------|--------|--------|--------|------------------------|-----------------------|-----|-------------------|------------|-------------|--------------|--------|
| | | L (in) | D (in) | H (in) | | DUCT TYPE | QTY | DUCT S.P. ("W.G.) | CFM (EACH) | SIZE L (in) | | D (in) |
| 8A | ELX | 133.75 | 54 | 24 | 0.75 | EXHAUST | 1 | 1.46 | 3174 | 26 | 12 | 827 |
| 8B | ELX | 130.75 | 54 | 24 | 0.75 | EXHAUST | 1 | 1.46 | 3174 | 26 | 12 | 827 |
| 8C | ELX | 130.75 | 66 | 24 | 0.97 | EXHAUST | 1 | 1.46 | 2658 | 22 | 12 | 892 |
| 8D | ELX | 130.75 | 66 | 24 | 0.97 | EXHAUST | 1 | 1.46 | 2658 | 22 | 12 | 892 |

TOTAL HOOD S.P.: 1.46" W.G.
 TOTAL EXHAUST: 11664 CFM
 TOTAL SUPPLY: 0 CFM

TOTAL WEIGHT: 3528 LBS

VENTILATOR NOTES (NON-WATER WASH)

- A) VERIFY ALL MAKES AND MODELS OF COOKING EQUIPMENT AND LOCATION IN RELATION TO VENTILATOR PRIOR TO FABRICATION.
- B) FRONT AND REAR MOUNTING BRACKETS HAVE #0.625" HOLES. BRACKETS TO BE SUPPORTED WITHIN 12" OF EACH END OF EACH SECTION, WITH A MAXIMUM SPAN OF 72" BETWEEN SUPPORTS.
- C) INTERIOR MOUNTING BRACKET(S) TO BE SUPPORTED WITHIN 36" OF EACH END OF EACH SECTION, WITH A MAXIMUM SPAN OF 72" BETWEEN SUPPORTS.

VERIFY EXHAUST & SUPPLY FANS

- A) VERIFY IF THIS HOOD IS EXHAUSTED ON ITS OWN EXHAUST FAN OR IS IT EXHAUSTED ON A COMMON EXHAUST FAN SHARED WITH OTHER HOODS.
- B) VERIFY NUMBER OF SUPPLY (MAKE-UP AIR) FANS.

VENTILATOR WIRING NOTES (NON-WATER WASH)

- ① N/A
- * LIGHT FIXTURES, VAPOR PROOF, U.L. LISTED, * FURNISHED, INSTALLED AND WIRED BY GAYLORD.
- ② (2) WIRES AND GROUND, FOR LIGHT(S), IN FLEXIBLE CONDUIT, EXTENDING 6' BEYOND END OF VENTILATOR BY GAYLORD. WIRED TO LIGHT SWITCH BY ELECTRICAL CONTRACTOR.
- ③ N/A
- ④ (2) WIRES AND GROUND, FOR LIGHTS, IN FLEXIBLE CONDUIT FOR INTERCONNECTING VENTILATOR SECTIONS BY GAYLORD. DISCONNECTED FOR SHIPPING. JOB SITE RECONNECTION BY ELECTRICAL CONTRACTOR.

MELINK WIRING NOTES

- (M) MELINK CABLE FROM AIR PURGE UNIT (APU) TO 1/0 PROCESSOR BY GAYLORD. DISCONNECTED FOR SHIPPING, IF APPLICABLE. JOB SITE CONNECTION BY OTHERS.
- (M) MELINK CABLE FROM AIR PURGE UNIT (APU) TO AIR PURGE UNIT (APU) BY GAYLORD. DISCONNECTED FOR SHIPPING, IF APPLICABLE. JOB SITE RECONNECTION BY OTHERS.
- (M) MELINK CABLE FROM AIR PURGE UNIT (APU) TO TEMPERATURE SENSOR BY GAYLORD. DISCONNECTED FOR SHIPPING, IF APPLICABLE. JOB SITE RECONNECTION BY OTHERS.
- (M) MELINK CABLE FROM TEMPERATURE SENSOR TO TEMPERATURE SENSOR BY GAYLORD. DISCONNECTED FOR SHIPPING, IF APPLICABLE. JOB SITE RECONNECTION BY OTHERS.

DCV WIRING NOTES

- (D) LOW VOLTAGE CABLE FROM RTD HUB BOX TO DCV CONTROL CABINET BY GAYLORD. JOB SITE CONNECTION BY ELECTRICAL CONTRACTOR.

FIRE PROTECTION SYSTEM NOTES ANSUL R-102-ASEF

FP-1) LOCATION OF FIRE PROTECTION NOZZLES MUST BE VERIFIED IN RELATION TO THE COOKING EQUIPMENT, PRIOR TO VENTILATOR FABRICATION.

COMPLETE SYSTEM INCLUDING APPLIANCE DROPS AND SURFACE MOUNTED DETECTION BRACKETS, WITH FIELD INSTALLATION BY GAYLORD.

ANSUL FIRE SYSTEM FACTORY PRE-PIPED CHEMICAL LINES INCLUDING DUCT, PLENUM AND APPLIANCE DROPS WITH ALL NOZZLES INSTALLED PER COOKING EQUIPMENT ARRANGEMENT ON GAYLORD APPROVED DRAWINGS. ALL EXPOSED CHEMICAL PIPING CHROME PLATED OR CHROME SLEEVED. INCLUDES FACTORY PRE-PIPED DETECTION LINES WITH SURFACE MOUNTED DETECTOR BRACKETS. INSTALLATION BY CERTIFIED FACTORY INSTALLERS.

INCLUDES:

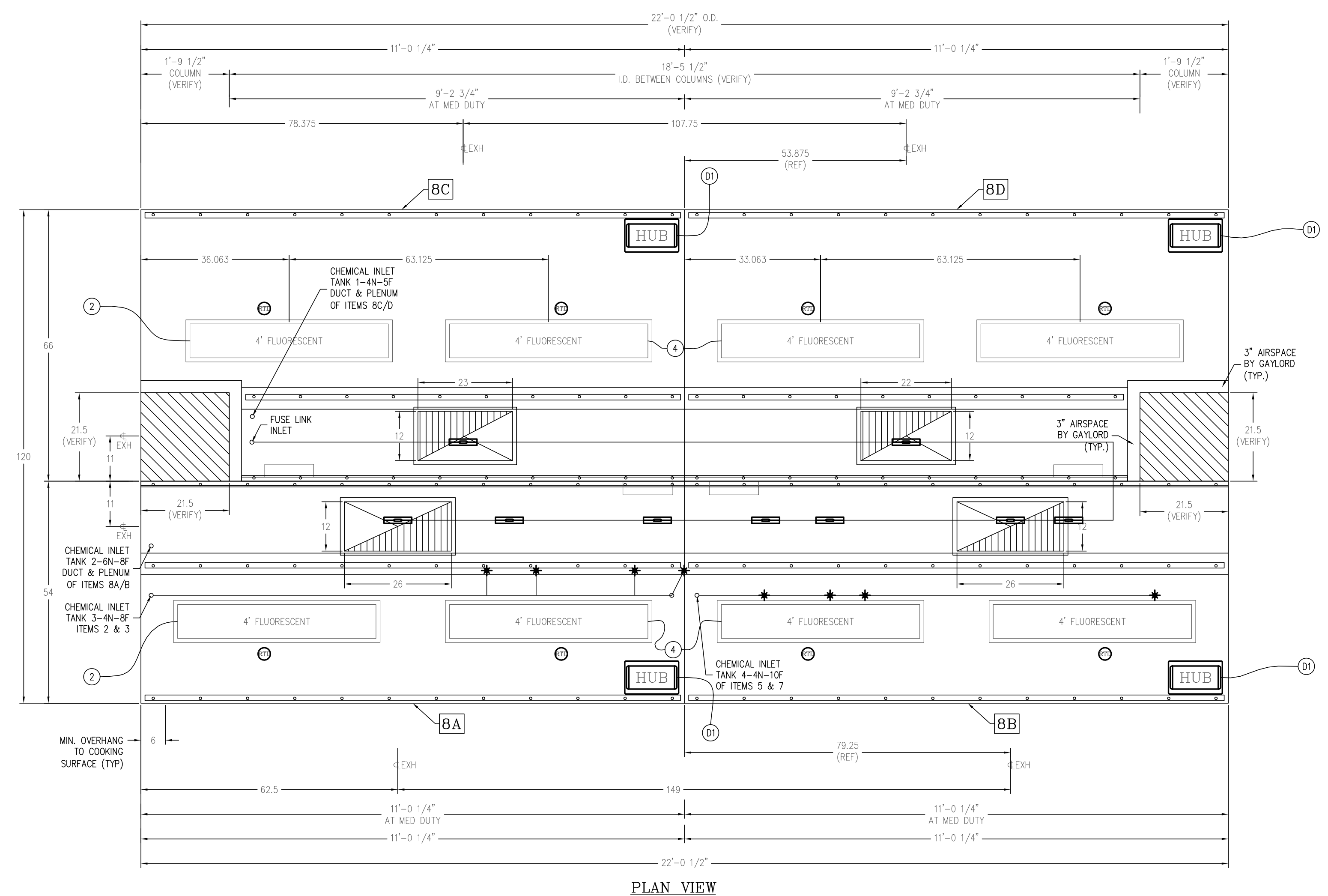
- * TANK(S) AND RELEASE ASSEMBLY(S)
- * CHEMICAL
- * DETECTOR CABLE
- * FUSIBLE LINKS WITH LINKAGE
- * EXPPELLANT GAS CARTRIDGE(S) (PROVIDED BY FIRE PROTECTION INSTALLER)
- * (1) REMOTE MANUAL PULL STATION
- * (1) GAS VALVE PER FIRE SYSTEM WITH A MAXIMUM SIZE OF 2-1/2"
- * (1) MANUAL RESET RELAY PER FIRE SYSTEM, IF REQUIRED
- * PLANS AND PERMITS (ON JOBS INSIDE OF THE UNITED STATES AND NON-MARINE JOBS)
- * PARTS AND INSTALLATION OF CHEMICAL AND DETECTION LINES FROM TANK(S) TO CONNECTION POINTS ON HOOD
- * INSTALLATION OF TANKS AND RELATED COMPONENTS
- * INSTALLATION OF DETECTOR CABLE AND FUSIBLE LINKS
- * INSTALLATION OF REMOTE MANUAL PULL STATION
- * JOB SITE REPOSITIONING OF NOZZLES AS PER GAYLORD APPROVED DRAWINGS, IF REQUIRED TO MEET SYSTEM DESIGN REQUIREMENTS
- * TRIP TEST AND CERTIFICATION (ON JOBS INSIDE OF THE UNITED STATES AND NON-MARINE JOBS)

EXCLUDES:

- * UNION LABOR AND PREVAILING WAGE
- * INSTALLATION OF GAS VALVE(S)
- * ELECTRICAL DISCONNECTS
- * PARTS AND LABOR FOR ANY ELECTRICAL INTERCONNECTIONS
- * JOB SITE REPOSITIONING OF NOZZLES IF COOKING EQUIPMENT IS NOT INSTALLED PER GAYLORD APPROVED DRAWINGS
- * PLANS AND PERMITS ON JOBS OUTSIDE OF THE UNITED STATES AND ON MARINE JOBS
- * TRIP TEST AND CERTIFICATION ON JOBS OUTSIDE OF THE UNITED STATES AND ON MARINE JOBS
- * HANDHELD FIRE EXTINGUISHER(S)
- * INSPECTION AND SERVICING
- * RECESSED ANSUL CABINET(S)

SHOP NOTES (T2)

- * DCV COMPONENTS



PLAN VIEW

INSTALLATION INFORMATION

MAXIMUM VENTILATOR DIMENSION:
 11'-2" L x 4'-6" W
 2'-3" H
 TOTAL ESTIMATED HANGING WEIGHT:
 3528 LBS.

VENTILATORS MANUFACTURED IN MULTIPLE SECTIONS ARE PROVIDED WITH BOLTS, CLIPS, AND ALL NECESSARY HARDWARE FOR RECONNECTING BY THE VENTILATOR INSTALLER. CONTROL AND LIGHTING WIRING ARE PRE-WIRED AND DISCONNECTED FOR SHIPMENT. WIRING MUST BE RECONNECTED BY APPLICABLE TRADES.

| REV | DRWN BY | DATE | REVISIONS | CHECKED BY |
|-----|---------|----------|--|------------|
| 03 | RS | 04-08-14 | REVISED HOOD TO "MP", UPDATED COOKING EQUIPMENT, F.P., REPLACED MELINK WITH DCV & ADDED A LOW WALL BETWEEN HOODS | |

This plan is made from available information, but measurements are to be verified by contractors, installers and others in connection with this job. Gaylord Industries accepts no responsibility for work done by contractors, installers and others, and will not stand any expense for charges made necessary by local building codes, ordinances, structural conditions or by the substitution or changes in equipment shown in this plan. This plan must be verified and approved by proper parties before fabrication can be started and approval shall not be made unless contractors, installers and others have reviewed applicable codes with code authorities. Reference is made to the general notes, which are a part of these plans and all contractors, installers and others utilizing these plans are advised they are responsible for examining and becoming familiar with said general notes before commencing any work hereunder. Any inconsistencies between these plans and the general notes, or between these plans, the general notes, and local building codes or ordinances must be immediately called to the attention of Gaylord Industries in writing so that any such inconsistencies can be resolved.

Gaylord Industries must be notified of any changes made to the plan in a clear and conspicuous manner. Gaylord Industries will not be responsible for any incidental or consequential damages incurred by others as a result of contractors, installers and others failure to notify Gaylord of changes to the plan.

ATTENTION - This plan is the property of Gaylord Industries and is confidential and proprietary. It is not to be copied, reproduced, or distributed, in whole or part, nor be used in anyway detrimental to Gaylord Industries. If you have received this plan without Gaylord's permission, please (i) do not read it, (ii) reply to the sender that you received the drawing in error, and (iii) erase and/or destroy the drawing.

GAYLORD® INDUSTRIES

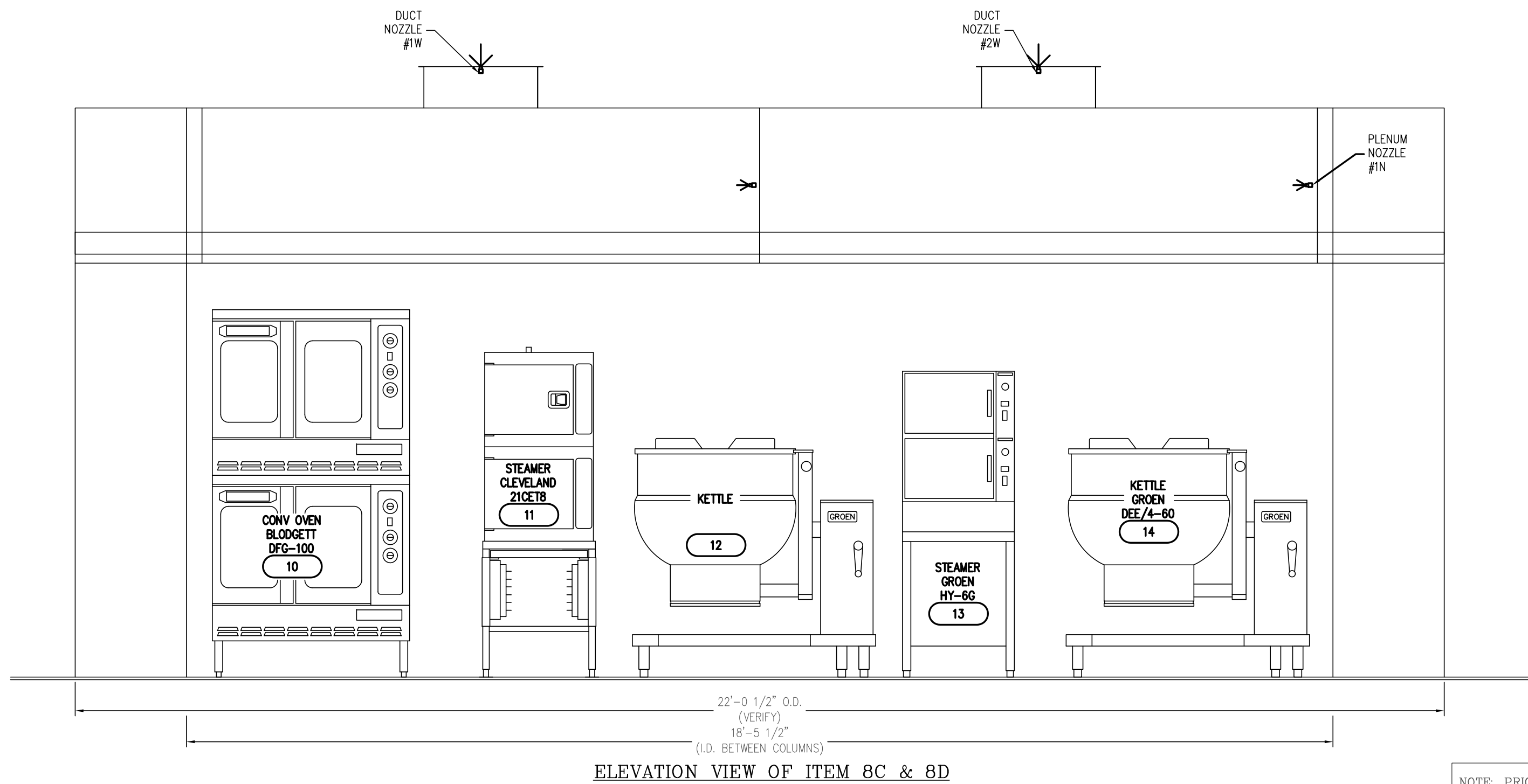
10900 S.W. AVERY ST.
 TUALATIN, OR 97062

TELEPHONE: (503) 691-2010
 TOLL FREE: (800) 547-9696
 FAX NO.: (503) 692-6048
 E-MAIL: gaylord@gaylordusa.com

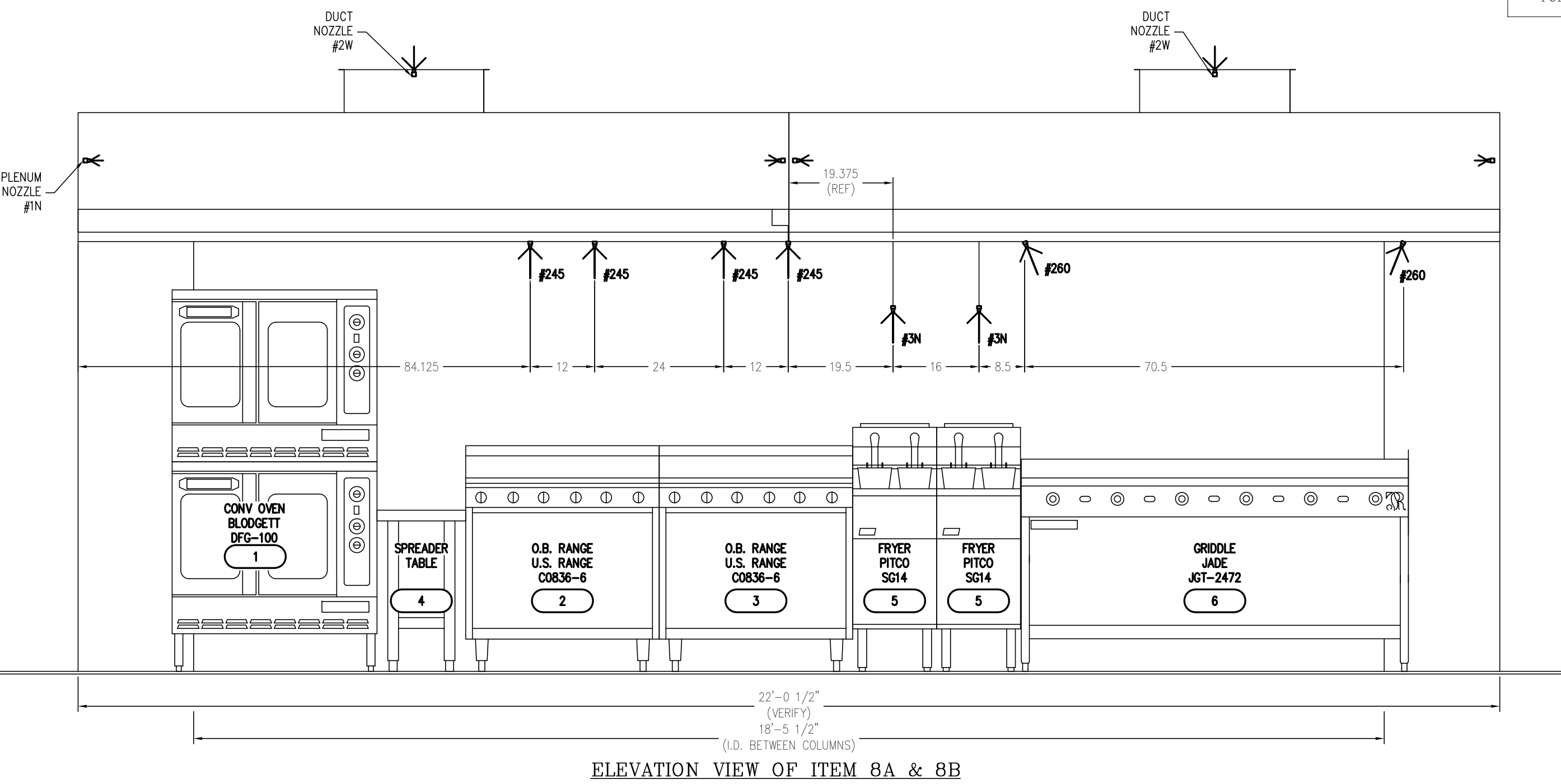
| | | |
|---|----------------|-----------------------|
| DCV-F | DCV-1 | 11052703 |
| ANSUL R-102-ASEF-4T-18N-31F | 9 | 11052702 |
| ELX-GBD-BB-MP-AS-120 (T1) | 8 | 11052701 |
| MODEL # | ITEM # | WORK ORDER # |
| DRAWN BY: RS | CHECKED BY: | ELECT. CHECK: |
| | F.P. CHECK: | S.E. APPROVAL: |
| PORTLAND STATE UNIVERSITY Portland, OR | | |
| | | |
| DRAWING NO.: 11-0527 | DATE: 04-14-11 | REV: 03 SHEET NO.: 02 |

SCALE
 DRAWING NOT TO SCALE

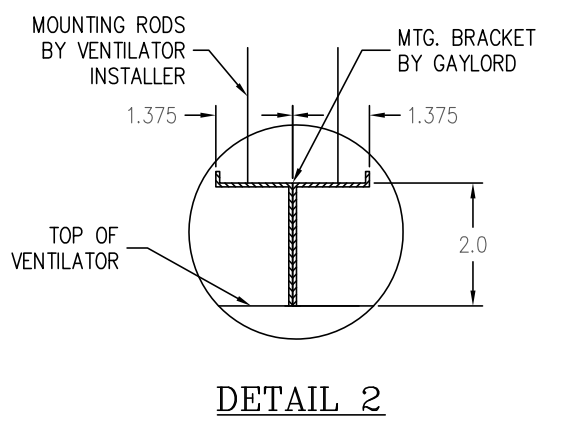




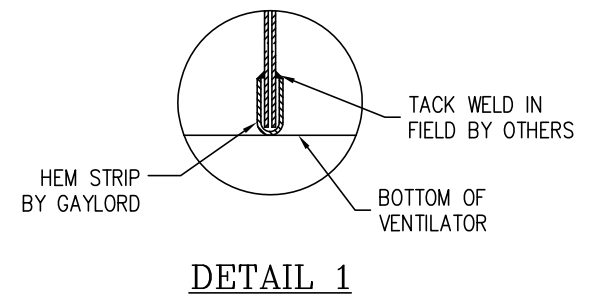
ELEVATION VIEW OF ITEM 8C & 8D



ELEVATION VIEW OF ITEM 8A & 8B

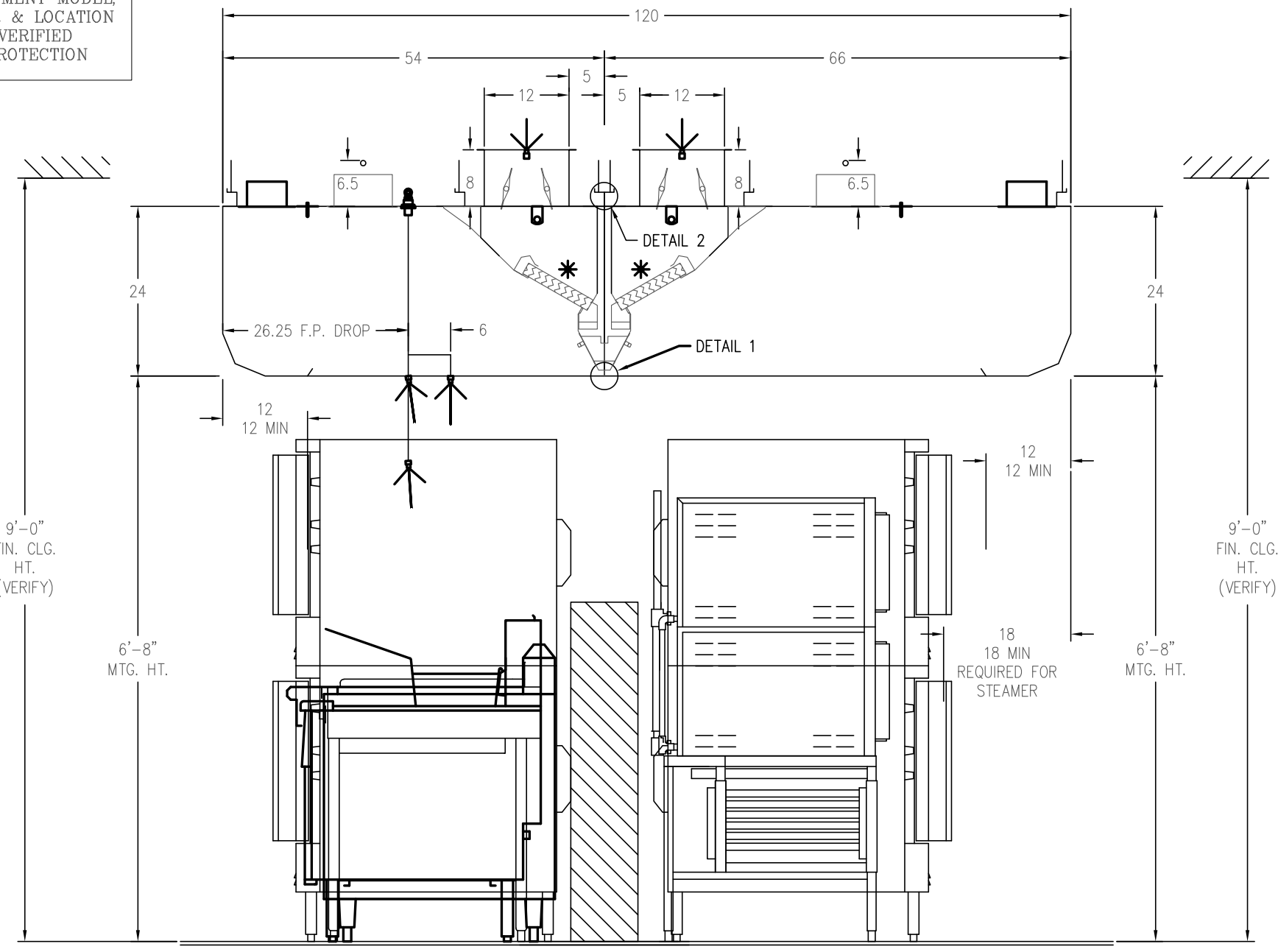


DETAIL 2



DETAIL 1

NOTE: PRIOR TO FABRICATION COOKING EQUIPMENT MODEL, MANUFACTURER & LOCATION MUST BE VERIFIED FOR FIRE PROTECTION



SECTION VIEW

VERIFY EXHAUST & SUPPLY FANS

A) VERIFY IF THIS HOOD IS EXHAUSTED ON ITS OWN EXHAUST FAN OR IS IT EXHAUSTED ON A COMMON EXHAUST FAN SHARED WITH OTHER HOODS.

B) VERIFY NUMBER OF SUPPLY (MAKE-UP AIR) FANS.

VENTILATOR NOTES (NON-WATER WASH)

A) VERIFY ALL MAKES AND MODELS OF COOKING EQUIPMENT AND LOCATION IN RELATION TO VENTILATOR PRIOR TO FABRICATION.

B) FRONT AND REAR MOUNTING BRACKETS HAVE #0.625\"/>

C) INTERIOR MOUNTING BRACKET(S) TO BE SUPPORTED WITHIN 36\"/>

VERIFY CEILING CONDITIONS

EXACT FLOOR TO STRUCTURAL CEILING AND FLOOR TO FINISH CEILING HEIGHTS MUST BE VERIFIED FOR VENTILATOR DESIGN. INCORRECT HEIGHTS MAY CAUSE THE VENTILATOR TO NOT FIT PROPERLY OR COMPLY WITH CLEARANCES SPECIFIED IN APPLICABLE CODES AND STANDARDS. CAUTION: IF THE FINISHED CEILING IS HIGHER THAN THE TOP OF THE VENTILATOR, ENCLOSURE PANELS MAY BE REQUIRED.

FLOOR TO STRUCTURAL CEILING: (VERIFY)

FLOOR TO FINISH CEILING: 9'-0\"/>

FIRE PROTECTION SYSTEM NOTES

ANSUL R-102-ASEF

FP-1) LOCATION OF FIRE PROTECTION NOZZLES MUST BE VERIFIED IN RELATION TO THE COOKING EQUIPMENT, PRIOR TO VENTILATOR FABRICATION.

COMPLETE SYSTEM INCLUDING APPLIANCE DROPS AND SURFACE MOUNTED DETECTION BRACKETS, WITH FIELD INSTALLATION BY GAYLORD.

ANSUL FIRE SYSTEM FACTORY PRE-PIPED CHEMICAL LINES INCLUDING DUCT, PLENUM AND APPLIANCE DROPS WITH ALL NOZZLES INSTALLED PER COOKING EQUIPMENT ARRANGEMENT ON GAYLORD APPROVED DRAWINGS. ALL EXPOSED CHEMICAL PIPING CHROME PLATED OR CHROME SLEEVED. INCLUDES FACTORY PRE-PIPED DETECTION LINES WITH SURFACE MOUNTED DETECTOR BRACKETS. INSTALLATION BY CERTIFIED FACTORY INSTALLERS.

INCLUDES:

- TANK(S) AND RELEASE ASSEMBLY(S)
- CHEMICAL
- DETECTOR CABLE
- FUSIBLE LINKS WITH LINKAGE
- EXPPELLANT GAS CARTRIDGE(S) (PROVIDED BY FIRE PROTECTION INSTALLER)
- REMOTE MANUAL PULL STATION
- (1) GAS VALVE PER FIRE SYSTEM WITH A MAXIMUM SIZE OF 2-1/2\"/>
- (1) MANUAL RESET RELAY PER FIRE SYSTEM, IF REQUIRED
- PLANS AND PERMITS (ON JOBS INSIDE OF THE UNITED STATES AND NON-MARINE JOBS)
- PARTS AND INSTALLATION OF CHEMICAL AND DETECTION LINES FROM TANK(S) TO CONNECTION POINTS ON HOOD
- INSTALLATION OF TANKS AND RELATED COMPONENTS
- INSTALLATION OF DETECTOR CABLE AND FUSIBLE LINKS
- INSTALLATION OF REMOTE MANUAL PULL STATION
- JOB SITE REPOSITIONING OF NOZZLES AS PER GAYLORD APPROVED DRAWINGS, IF REQUIRED TO MEET SYSTEM DESIGN REQUIREMENTS
- TRIP TEST AND CERTIFICATION (ON JOBS INSIDE OF THE UNITED STATES AND NON-MARINE JOBS)

EXCLUDES:

- UNION LABOR AND PREVAILING WAGE
- INSTALLATION OF GAS VALVE(S)
- ELECTRICAL DISCONNECTS
- PARTS AND LABOR FOR ANY ELECTRICAL INTERCONNECTIONS
- JOB SITE REPOSITIONING OF NOZZLES IF COOKING EQUIPMENT IS NOT INSTALLED PER GAYLORD APPROVED DRAWINGS
- PLANS AND PERMITS ON JOBS OUTSIDE OF THE UNITED STATES AND ON MARINE JOBS
- TRIP TEST AND CERTIFICATION ON JOBS OUTSIDE OF THE UNITED STATES AND ON MARINE JOBS
- HANDHELD FIRE EXTINGUISHER(S)
- INSPECTION AND SERVICING
- RECESSED ANSUL CABINET(S)

INSTALLATION INFORMATION

| REV | DRWN BY | DATE | REVISIONS | CHECKED BY |
|-----|---------|----------|--|------------|
| 03 | RS | 04-08-14 | REVISED HOOD TO "MP", UPDATED COOKING EQUIPMENT, F.P., REPLACED MELINK WITH DCV & ADDED A LOW WALL BETWEEN HOODS | |

This plan is made from available information, but measurements are to be verified by contractors, installers and others in connection with this job. Gaylord Industries accepts no responsibility for work done by contractors, installers and others, and will not stand any expense for changes made necessary by local building codes, ordinances, structural conditions or by the substitution or changes in equipment shown in this plan. This plan must be verified and approved by proper parties before fabrication can be started and approval shall not be made unless contractors, installers and others have reviewed applicable codes with code authorities. Reference is made to the general notes, which are a part of these plans and all contractors, installers and others utilizing these plans are advised they are responsible for examining and becoming familiar with said general notes before commencing any work hereunder. Any inconsistencies between these plans and the general notes, or between these plans, the general notes, and local building codes or ordinances must be immediately called to the attention of Gaylord Industries in writing so that any such inconsistencies can be resolved.

Gaylord Industries must be notified of any changes made to the plan in a clear and conspicuous manner. Gaylord Industries will not be responsible for any incidental or consequential damages incurred by others as a result of contractors, installers and others failure to notify Gaylord of changes to the plan.

ATTENTION - This plan is the property of Gaylord Industries and is confidential and proprietary. It is not to be copied, reproduced, or distributed, in whole or part, nor be used in anyway detrimental to Gaylord Industries. If you have received this plan without Gaylord's permission, please (i) do not read it, (ii) reply to the sender that you received the drawing in error, and (iii) erase and/or destroy the drawing.

GAYLORD INDUSTRIES

10900 S.W. AVERY ST.
TUALATIN, OR 97062

TELEPHONE: (503) 691-2010
TOLL FREE: (800) 547-9696
FAX NO.: (503) 692-6048
E-MAIL: gaylord@gaylordusa.com

| | | |
|--|----------------|-----------------------|
| DCV-F | DCV-1 | 11052703 |
| ANSUL R-102-ASEF-4T-18N-31F | 9 | 11052702 |
| ELX-GBD-BB-MP-AS-120 (T1) | 8 | 11052701 |
| MODEL # | ITEM # | WORK ORDER # |
| DRAWN BY: RS | CHECKED BY: | ELECT. CHECK: |
| | F.P. CHECK: | S.E. APPROVAL: |
| PORTLAND STATE UNIVERSITY Portland, OR | | |
| DRAWING NO.: 11-0527 | DATE: 04-14-11 | REV: 03 SHEET NO.: 03 |



SCALE
DRAWING NOT TO SCALE

InSite Group, Inc.
Consulting Engineers
Phone: (503) 222-2044
310 SW 4th Ave., Suite 1120
Portland, OR 97204
Fax: (503) 222-5924

PORTLAND STATE UNIVERSITY
SMSU
KITCHEN HOOD
REPLACEMENT

| DATE | DNW. BY | CHK. BY |
|------------|---------|---------|
| 4/4/2014 | PJM | CCW |
| REVISIONS | | |
| APPENDIX # | 4/10/14 | |



SHEET NUMBER
FS603
DRAWING TYPE
PERMIT SET
CAD FILE
PROJECT NO.
13-3914-0

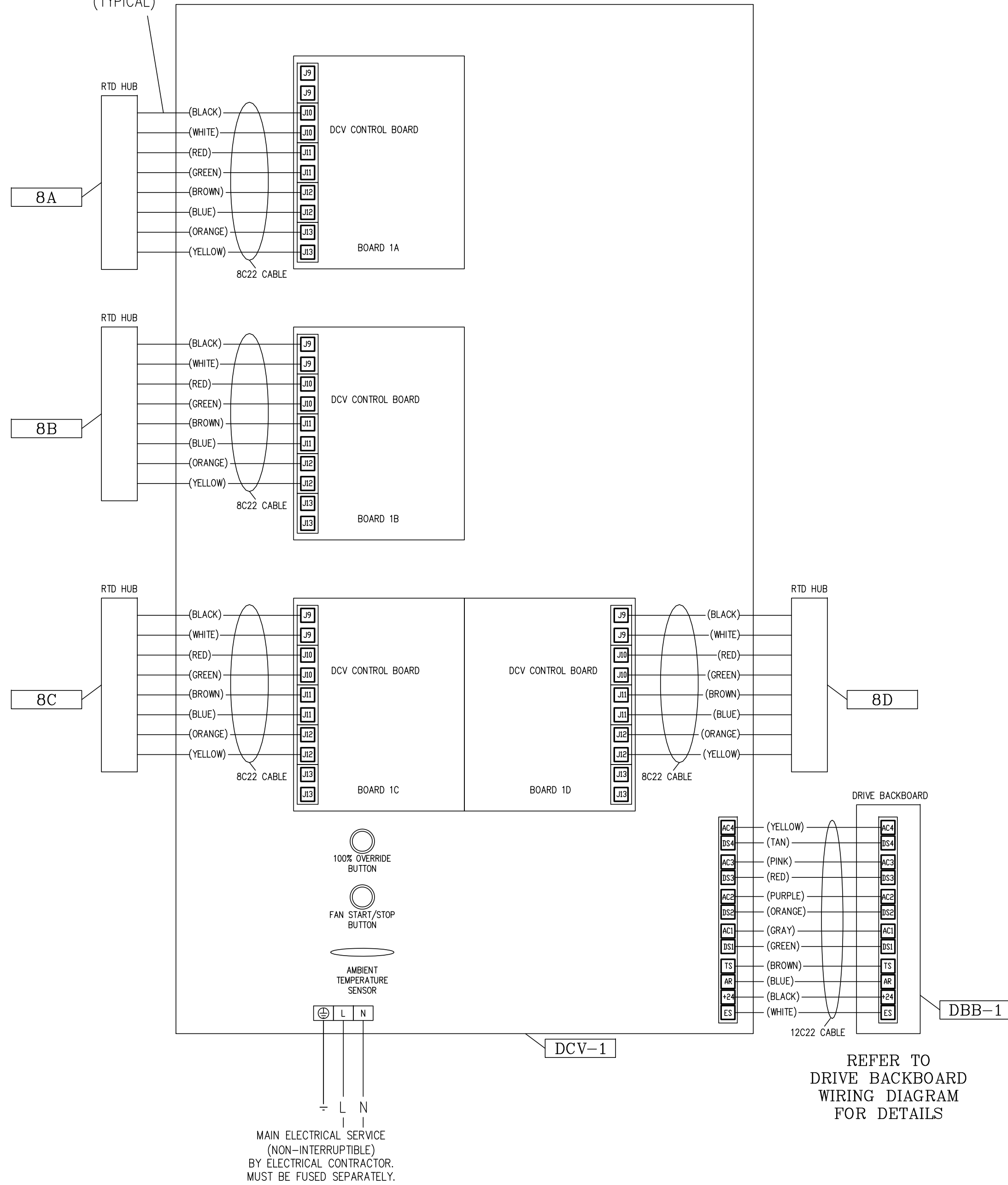
DCV TERMINALS

-- SUPPLY VOLTAGE --
120 VAC, 60Hz.
2 AMPS MAXIMUM - CONNECTED LOAD

| TRM | TERMINATION SCHEDULE | TYPE |
|-----|--------------------------------------|--------|
| L | MAIN POWER CONNECTION : HOT | 120VAC |
| N | MAIN POWER CONNECTION : NEUTRAL | 0 V |
| BS1 | BOARD START - DEMAND | VARIES |
| BS2 | BOARD START - DEMAND | VARIES |
| J9 | RTD INPUT | VARIES |
| J10 | RTD INPUT | VARIES |
| J11 | RTD INPUT | VARIES |
| J12 | RTD INPUT | VARIES |
| J13 | RTD INPUT | VARIES |
| ES | SYSTEM START SIGNAL | 24 VDC |
| +24 | SIGNALING POWER SUPPLY | 24 VDC |
| AR | ANALOG RUN (24 V=MODULATE; 0 V=100%) | 24 VDC |
| TS | PRESSURE TRANSDUCER SIGNAL: 4-20 mA | VARIES |
| AC1 | EF-1: FREQUENCY SETTING COMMON | 0 VDC |
| DS1 | FREQUENCY SETTING CURRENT : 4-20 mA | VARIES |
| AC2 | EF-2: FREQUENCY SETTING COMMON | 0 VDC |
| DS2 | FREQUENCY SETTING CURRENT : 4-20 mA | VARIES |
| AC3 | EF-3: FREQUENCY SETTING COMMON | 0 VDC |
| DS3 | FREQUENCY SETTING CURRENT : 4-20 mA | VARIES |
| AC4 | EF-4: FREQUENCY SETTING COMMON | 0 VDC |
| DS4 | FREQUENCY SETTING CURRENT : 4-20 mA | VARIES |

100' MAX CABLE SUPPLIED BY GAYLORD, WIRED BY OTHERS (TYPICAL)

DCV COMMAND CENTER



— FIELD WIRING BY OTHERS
— WIRING BY GAYLORD

DCV CONTROL CABINET WIRING NOTES

(D-1) (2) WIRES AND GROUND FROM DCV CONTROL CABINET TO SUPPLY VOLTAGE SERVICE BY ELECTRICAL CONTRACTOR.

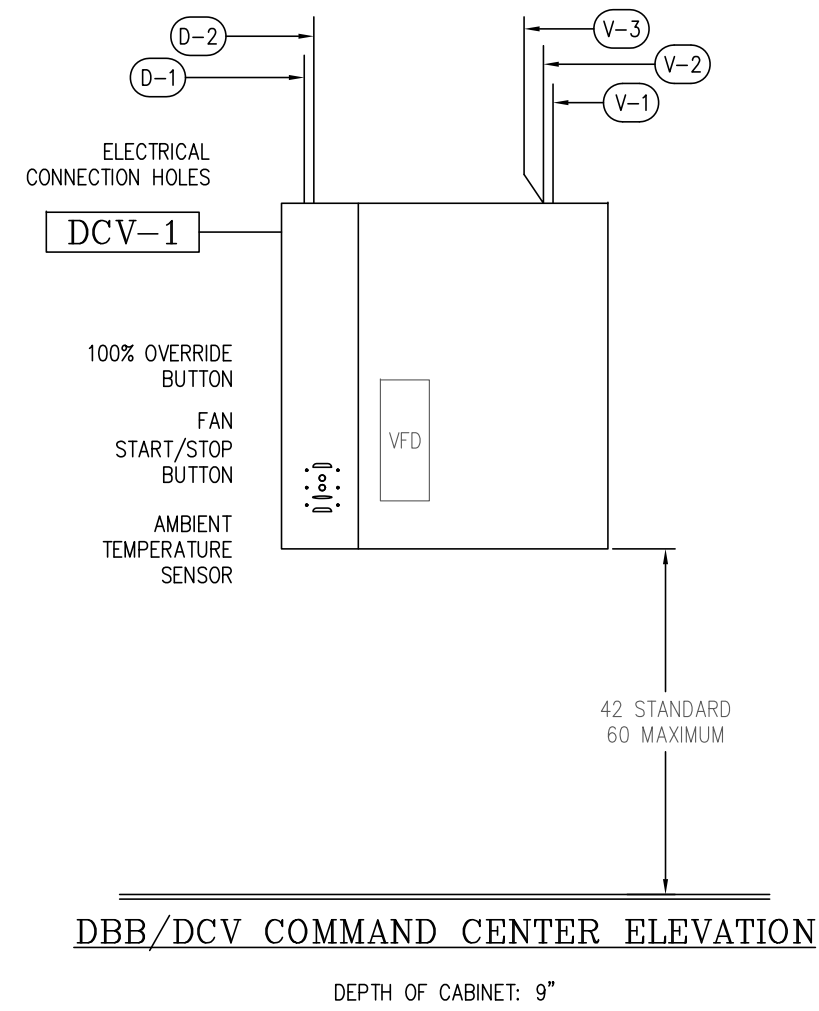
(D-2) LOW VOLTAGE CABLE, PROVIDED BY GAYLORD, FROM EACH HOOD SECTION RTD HUB TO DCV CONTROL CABINET CONNECTED BY ELECTRICAL CONTRACTOR.

DCV CONTROL CABINET WIRING NOTES

(V-1) (2) WIRES TO FIRE SUPPRESSION SYSTEM MICRO SWITCHES BY ELECTRICAL CONTRACTOR.

(V-2) (3) WIRES FROM DBB TO SUPPLY VOLTAGE, FOR EACH VFD, BY ELECTRICAL CONTRACTOR.

(V-3) (3) WIRES FROM DBB, FOR EACH VFD, TO FAN MOTOR BY ELECTRICAL CONTRACTOR.



REFER TO DRIVE BACKBOARD WIRING DIAGRAM FOR DETAILS

INSTALLATION INFORMATION

| REV | DRWN BY | DATE | REVISIONS | CHECKED BY |
|-----|---------|----------|--|------------|
| 03 | RS | 04-08-14 | REVISED HOOD MODEL TO "MP" & REPLACE MELINK WITH DCV | |
| 02 | RS | 07-01-11 | REVISED MELINK VFD LOCATION | |
| 01 | RS | 05-09-11 | ADDED MELINK ELEVATION TO SHEET | |

This plan is made from available information, but measurements are to be verified by contractors, installers and others in connection with this job. Gaylord Industries accepts no responsibility for work done by contractors, installers and others, and will not stand any expense for charges made necessary by local building codes, ordinances, structural conditions or by the substitution or changes in equipment shown in this plan. This plan must be verified and approved by proper parties before fabrication can be started and approval shall not be made unless contractors, installers and others have reviewed applicable codes with code authorities. Reference is made to the general notes, which are a part of these plans and all contractors, installers and others utilizing these plans are advised they are responsible for examining and becoming familiar with said general notes before commencing any work hereunder. Any inconsistencies between these plans and the general notes, or between these plans, the general notes, and local building codes or ordinances must be immediately called to the attention of Gaylord Industries in writing so that any such inconsistencies can be resolved.

Gaylord Industries must be notified of any changes made to the plan in a clear and conspicuous manner. Gaylord Industries will not be responsible for any incidental or consequential damages incurred by others as a result of contractors, installers and others failure to notify Gaylord of changes to the plan.

ATTENTION - This plan is the property of Gaylord Industries and is confidential and proprietary. It is not to be copied, reproduced, or distributed, in whole or part, nor be used in anyway detrimental to Gaylord Industries. If you have received this plan without Gaylord's permission, please (i) do not read it, (ii) reply to the sender that you received the drawing in error, and (iii) erase and/or destroy the drawing.

GAYLORD INDUSTRIES

10900 S.W. AVERY ST.
TUALATIN, OR 97062

TELEPHONE: (503) 691-2010
TOLL FREE: (800) 547-9696
FAX NO.: (503) 692-6048
E-MAIL: gaylord@gaylordusa.com

| | | |
|---|----------------|-----------------------|
| DCV-F | DCV-1 | 11052703 |
| ANSUL R-102-ASEF-4T-18N-31F | 9 | 11052702 |
| ELX-GBD-BB-MP-AS-120 (T1) | 8 | 11052701 |
| MODEL # | ITEM # | WORK ORDER # |
| DRAWN BY: RS | CHECKED BY: | ELECT. CHECK: |
| | F.P. CHECK: | S.E. APPROVAL: |
| PORTLAND STATE UNIVERSITY Portland, OR | | |
| | | |
| DRAWING NO.: 11-0527 | DATE: 04-14-11 | REV: 03 SHEET NO.: 04 |

SCALE
DRAWING NOT TO SCALE



SHEET NUMBER
FS604
DRAWING TYPE
PERMIT SET
CAD FILE
PROJECT NO.
13-3914-0

InSite Group, Inc.
Consulting Engineers
310 SW 4th Ave., Suite 1120
Portland, OR 97204
Phone: (503) 222-2044
Fax: (503) 222-5924

PORTLAND STATE UNIVERSITY
SMSU
KITCHEN HOOD
REPLACEMENT

| DATE | DWN. BY | CHK. BY |
|------------|---------|---------|
| 4/4/2014 | PJM | CCW |
| REVISIONS | | |
| APPENDIX # | 4/10/14 | |

| DATE | DWN. BY | CHK. BY |
|------------|---------|---------|
| 4/4/2014 | PJM | CCW |
| REVISIONS | | |
| APPENDIX # | 4/10/14 | |

| SHEET NUMBER |
|--------------|
| FS605 |
| DRAWING TYPE |
| PERMIT SET |
| CAD FILE |
| PROJECT NO. |
| 13-3914-0 |

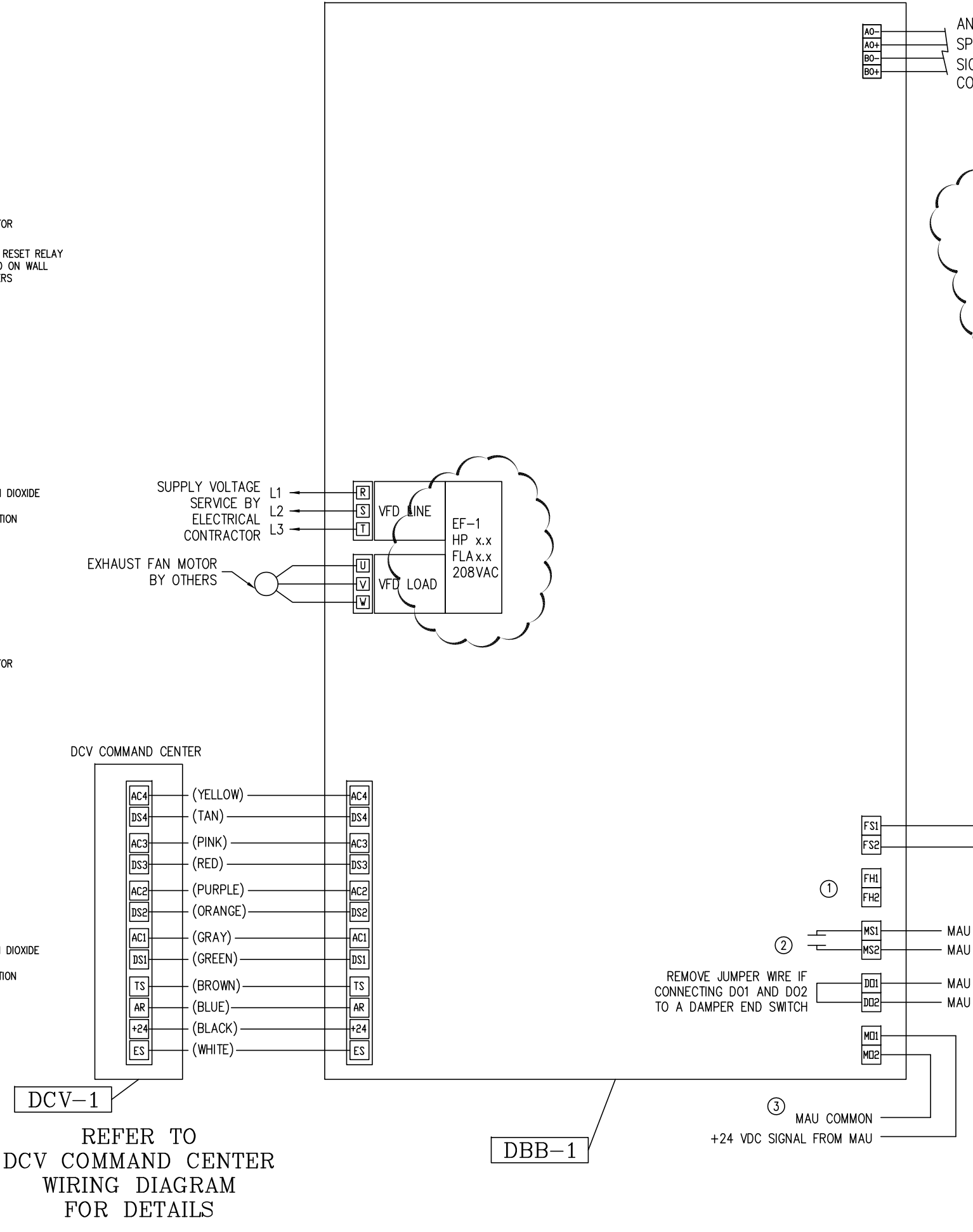
SCALE
 DRAWING NOT TO SCALE



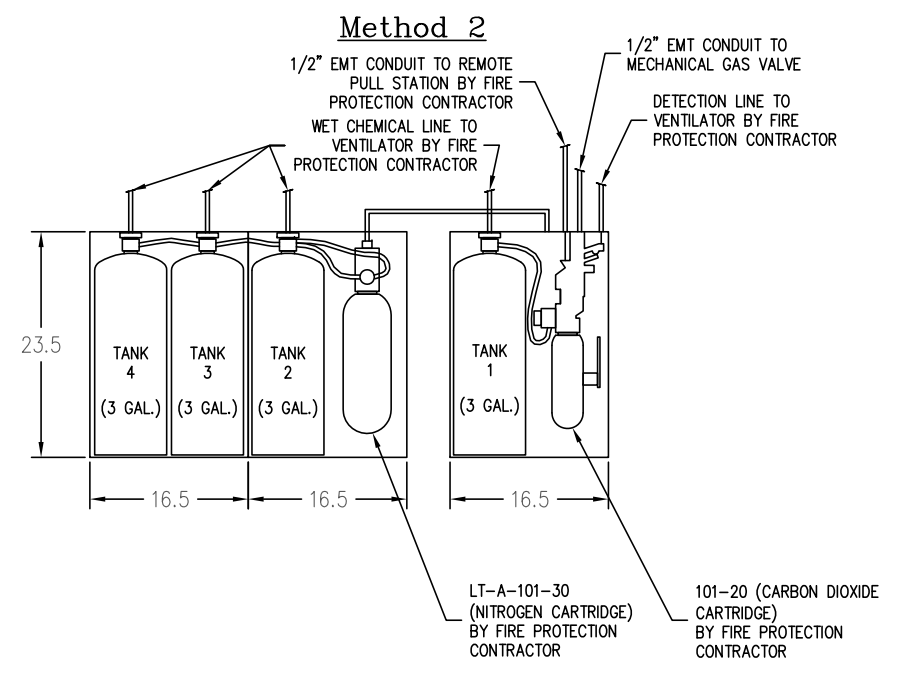
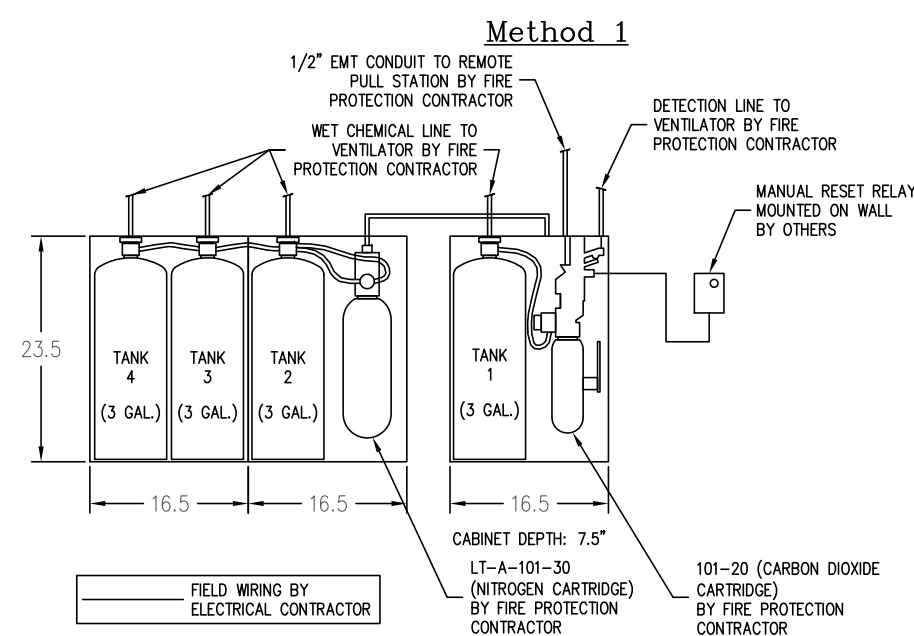
VFD POWER

| TRM | TERMINATION SCHEDULE | VOLTAGE |
|-----|--------------------------------|---------|
| R | (1 of 3) 3-PHASE POWER LINE-IN | SEE VFD |
| S | (2 of 3) 3-PHASE POWER LINE-IN | SEE VFD |
| T | (3 of 3) 3-PHASE POWER LINE-IN | SEE VFD |
| U | (1 of 3) 3-PHASE POWER TO LOAD | SEE VFD |
| V | (2 of 3) 3-PHASE POWER TO LOAD | SEE VFD |
| W | (3 of 3) 3-PHASE POWER TO LOAD | SEE VFD |

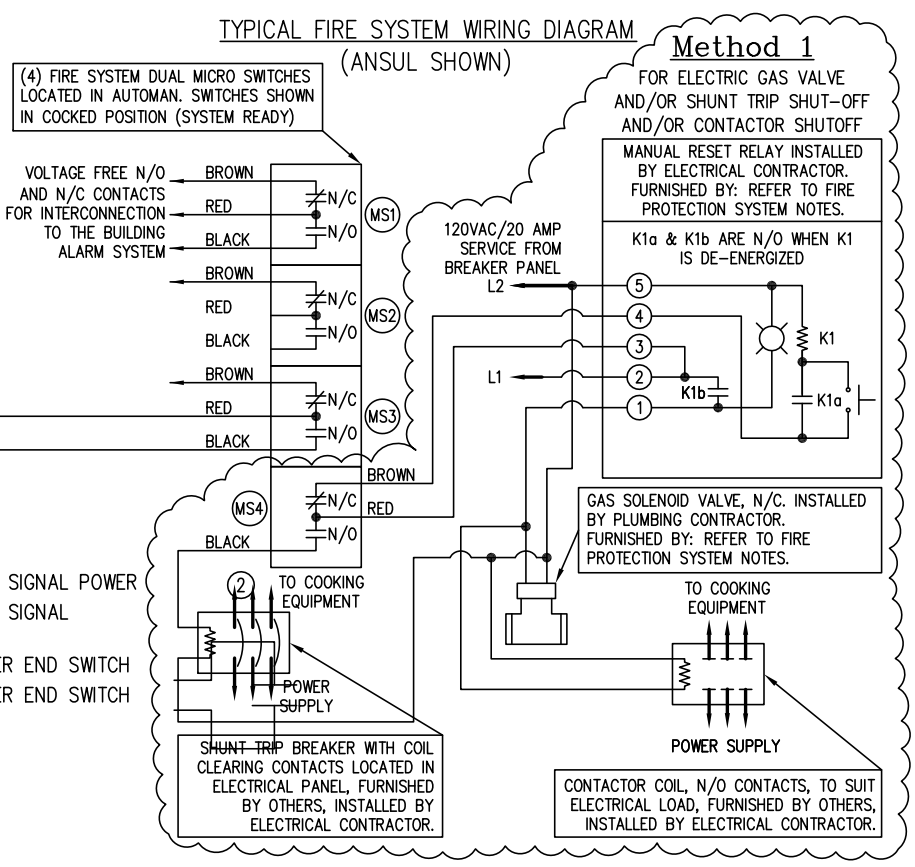
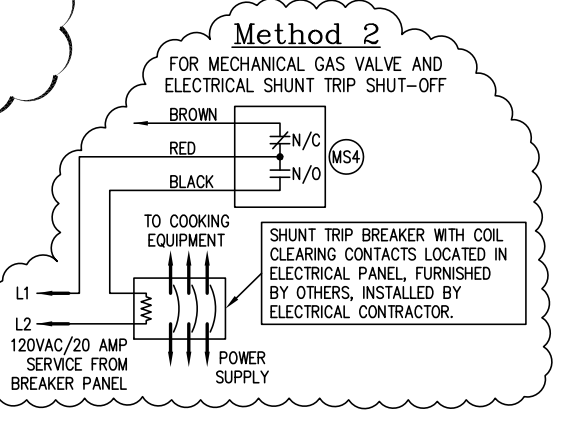
DRIVE BACKBOARD



TYPICAL ANSUL TANK SCHEMATIC (FOR NON-WATER WASH VENTILATOR)



NOTE: EXHAUST FAN AND MUA FAN VOLTAGE AND HORSEPOWER MUST BE VERIFIED PRIOR TO FABRICATION



- #### DBB WIRING NOTES
- (OPTIONAL) 120 VAC SIGNAL AND NEUTRAL TO BE ACTIVATED UPON FIRE PROTECTION DISCHARGE IN HOOD. N.O. CONTACTS ON MICROSWITCH TO BE USED. (120 VAC FP CONTACTS, STANDARD)
 - MS1 AND MS2 PROVIDE CONTACT CLOSURE FOR EXTERNAL MAU RUN SIGNAL. D01 AND D02 PROVIDE INTERRUPT TO VFD START UNTIL DAMPER END SWITCH IS MADE. IF DAMPER END SWITCH IS NOT USED THEN LEAVE JUMPER WIRE IN PLACE.
 - (OPTIONAL) MAU OVERRIDE. SYSTEM IS WIRED FOR 24 VDC. IF MAU HAS 120V SIGNAL RELAY ORS MUST BE REPLACED WITH APPROPRIATE RELAY BY OTHERS.

REFER TO DCV COMMAND CENTER WIRING DIAGRAM FOR DETAILS

DBB-1

DIMENSION TOLERANCE ± 1/4" (6mm)

| | | |
|---|----------------|-----------------------|
| DCV-F | DCV-1 | 11052703 |
| ANSUL R-102-ASEF-4T-18N-31F | 9 | 11052702 |
| ELX-GBD-BB-MP-AS-120 (T1) | 8 | 11052701 |
| MODEL # | ITEM # | WORK ORDER # |
| DRAWN BY: RS | CHECKED BY: | ELECT. CHECK: |
| PORTLAND STATE UNIVERSITY Portland, OR | | |
| DRAWING NO.: 11-0527 | DATE: 04-14-11 | REV: 03 SHEET NO.: 05 |

GAYLORD INDUSTRIES

10900 S.W. AVERY ST.
 TUALATIN, OR 97062
 TELEPHONE: (503) 691-2010
 TOLL FREE: (800) 547-9696
 FAX NO.: (503) 692-6048
 E-MAIL: gaylor@gaylordusa.com



INSTALLATION INFORMATION

| REV | DRWN BY | DATE | REVISIONS | CHECKED BY |
|-----|---------|----------|--|------------|
| 03 | RS | 04-08-14 | REVISED HOOD MODEL TO "MP" & REPLACE MELINK WITH DCV | |
| 01 | RS | 05-09-11 | ADDED SHEET | |

This plan is made from available information, but measurements are to be verified by contractors, installers and others in connection with this job. Gaylord Industries accepts no responsibility for work done by contractors, installers and others, and will not stand any expense for charges made necessary by local building codes, ordinances, structural conditions or by the substitution or changes in equipment shown in this plan. This plan must be verified and approved by proper parties before fabrication can be started and approval shall not be made unless contractors, installers and others have reviewed applicable codes with code authorities. Reference is made to the general notes, which are a part of these plans and all contractors, installers and others utilizing these plans are advised they are responsible for examining and becoming familiar with said general notes before commencing any work hereunder. Any inconsistencies between these plans and the general notes, or between these plans, the general notes, and local building codes or ordinances must be immediately called to the attention of Gaylord Industries in writing so that any such inconsistencies can be resolved.

Gaylord Industries must be notified of any changes made to the plan in a clear and conspicuous manner. Gaylord Industries will not be responsible for any incidental or consequential damages incurred by others as a result of contractors, installers and others failure to notify Gaylord of changes to the plan.

ATTENTION - This plan is the property of Gaylord Industries and is confidential and proprietary. It is not to be copied, reproduced, or distributed, in whole or part, nor be used in anyway detrimental to Gaylord Industries. If you have received this plan without Gaylord's permission, please (i) do not read it, (ii) reply to the sender that you received the drawing in error, and (iii) erase and/or destroy the drawing.