

Precision Structural Engineering, Inc.

www.structure1.com
 Klamath Falls Office
 250 Main
 Klamath Falls, Oregon
 97601
 Phone: (541) 850-6300
 Fax: (541) 850-6233
 info@structure1.com

Medford Office
 536 Mason Way
 Medford OR, 97501
 Phone: (541) 858-8500
 Fax: (541) 776-4663
 infomd@structure1.com

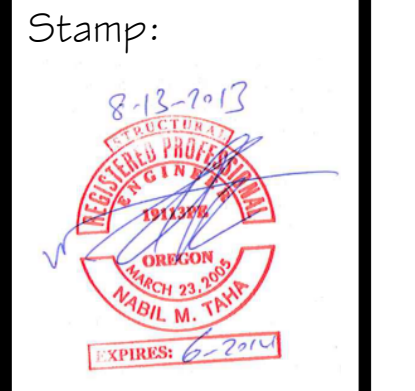
Licensed in:
 Arizona Montana
 California Nebraska
 Colorado Nevada
 Florida Oregon
 Hawaii Pennsylvania
 Idaho Utah
 Iowa Virginia
 Kansas Washington
 Missouri Wyoming

Construction Types:
 Light Gauge Steel, Straw
 Bales, Bamboo, Log,
 Timber/Wood, Structural
 Insulated Panels/SiPs,
 Masonry, Steel, Concrete,
 Modular Homes/Factory Built
 Housing (FBI), Coffee Shops,
 ICF etc. Commercial or
 Residential.

Project:
**OIT
 Softball
 Dugouts**

3201 Campus Dr.
 Klamath Falls, OR
 97601

Owner:
OIT



REVISIONS:

MARK	DATE	BY

DRAWN BY: L.J.
 DS. BY: R.H.
 CHK BY: N.T.
 DATE: 07-02-13

PROJECT #:
KF213-3094

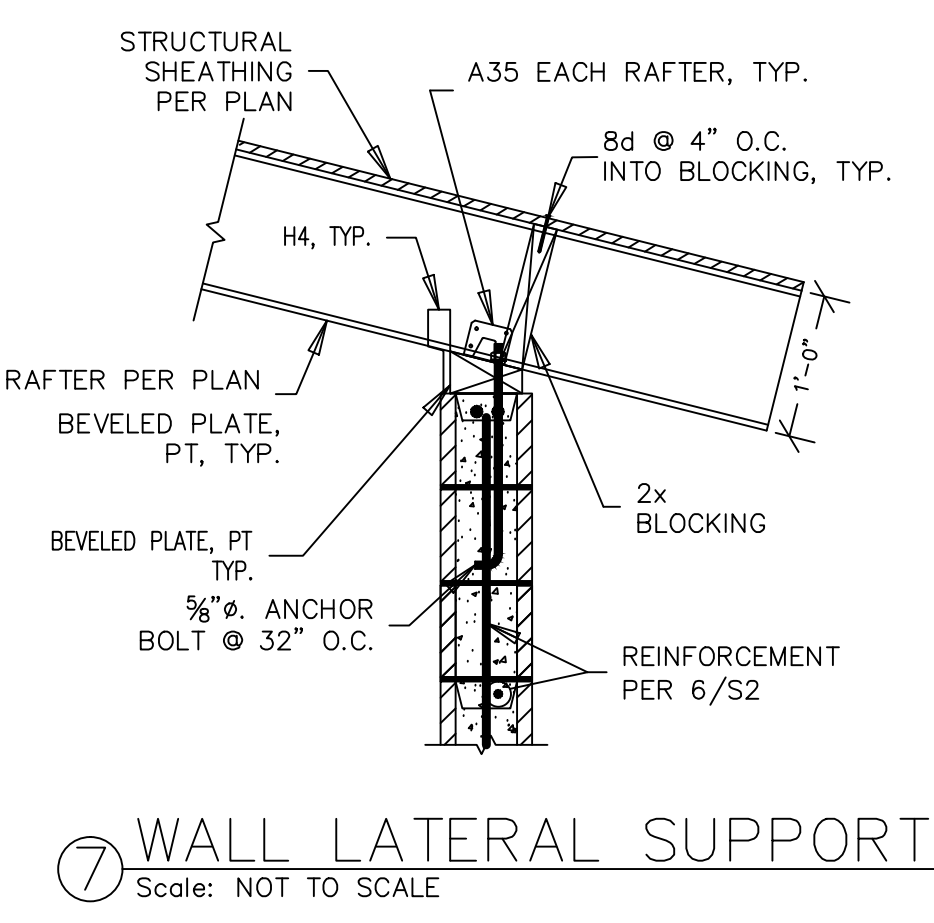
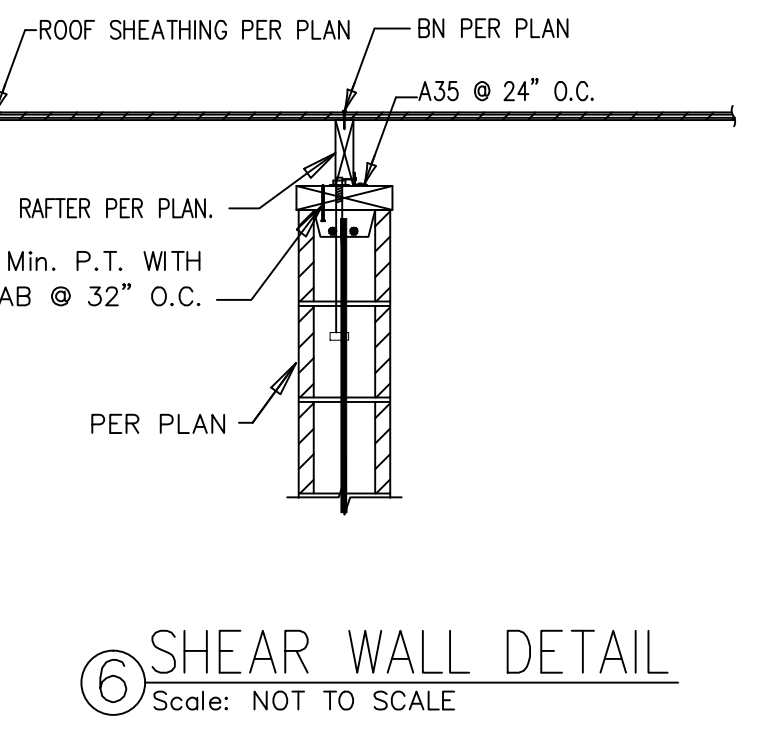
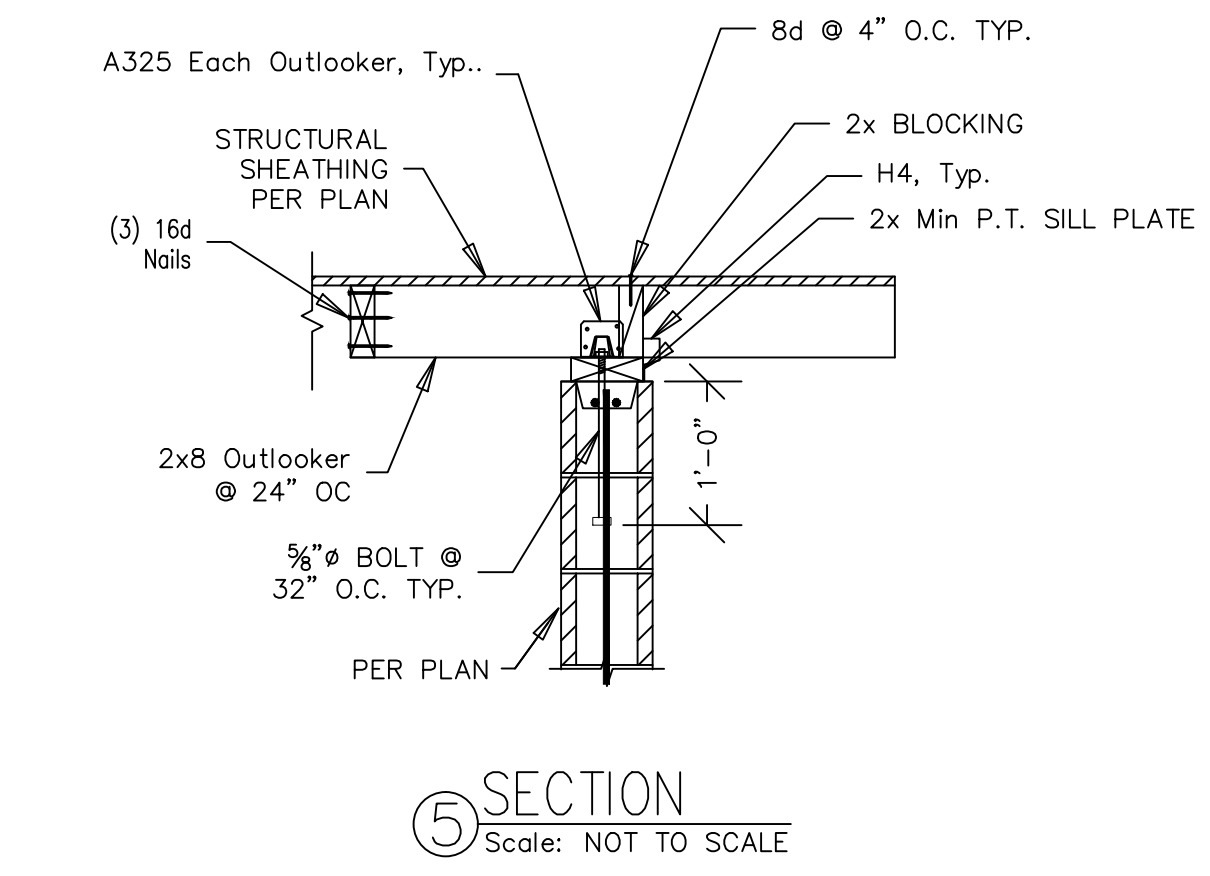
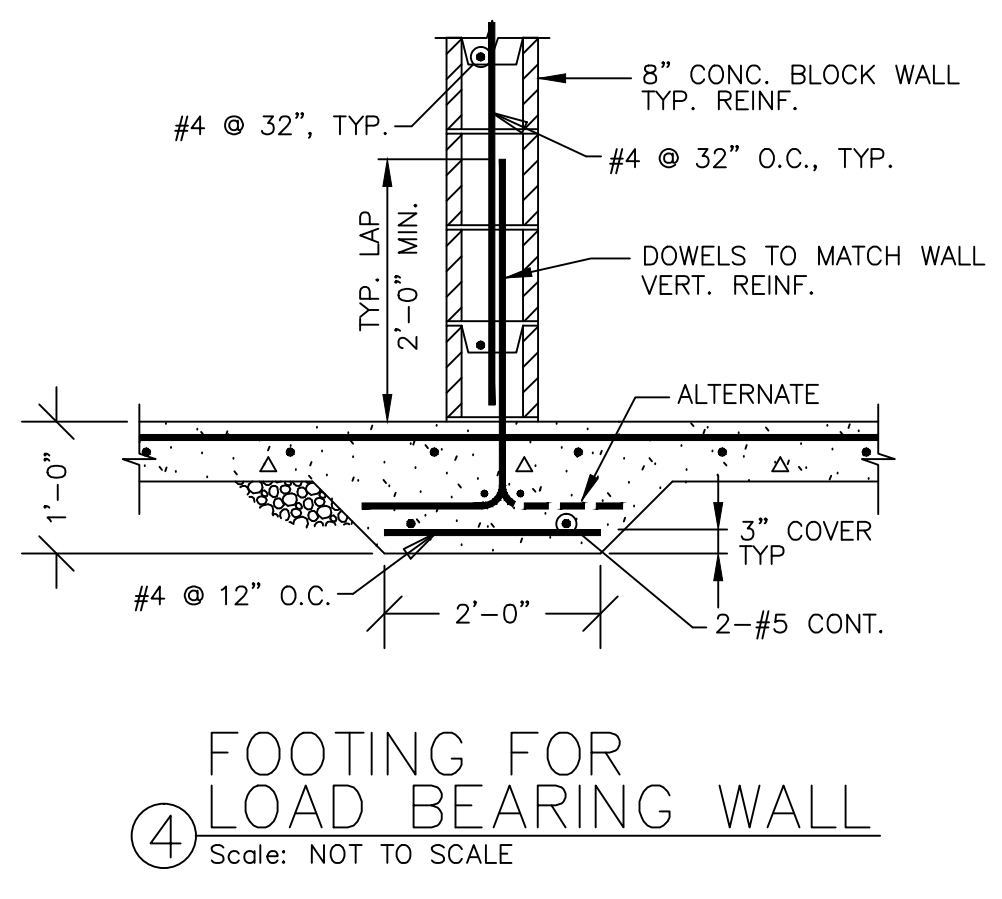
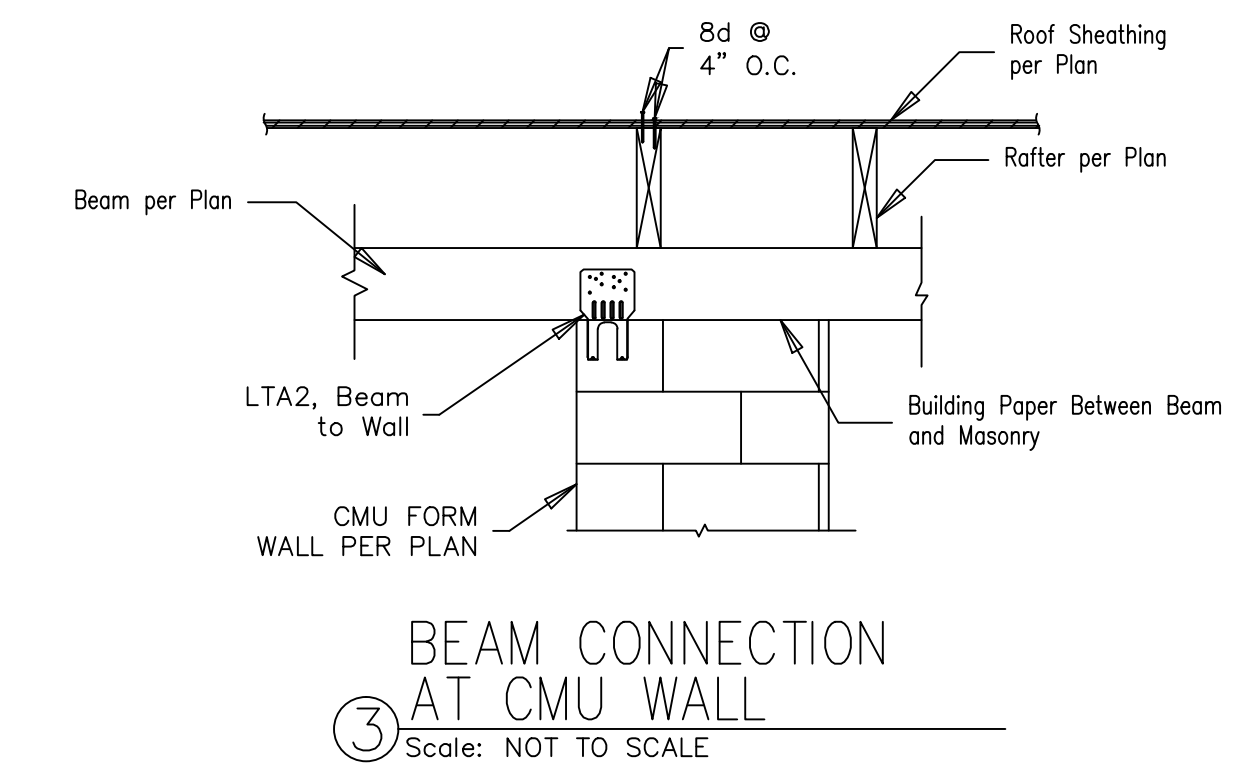
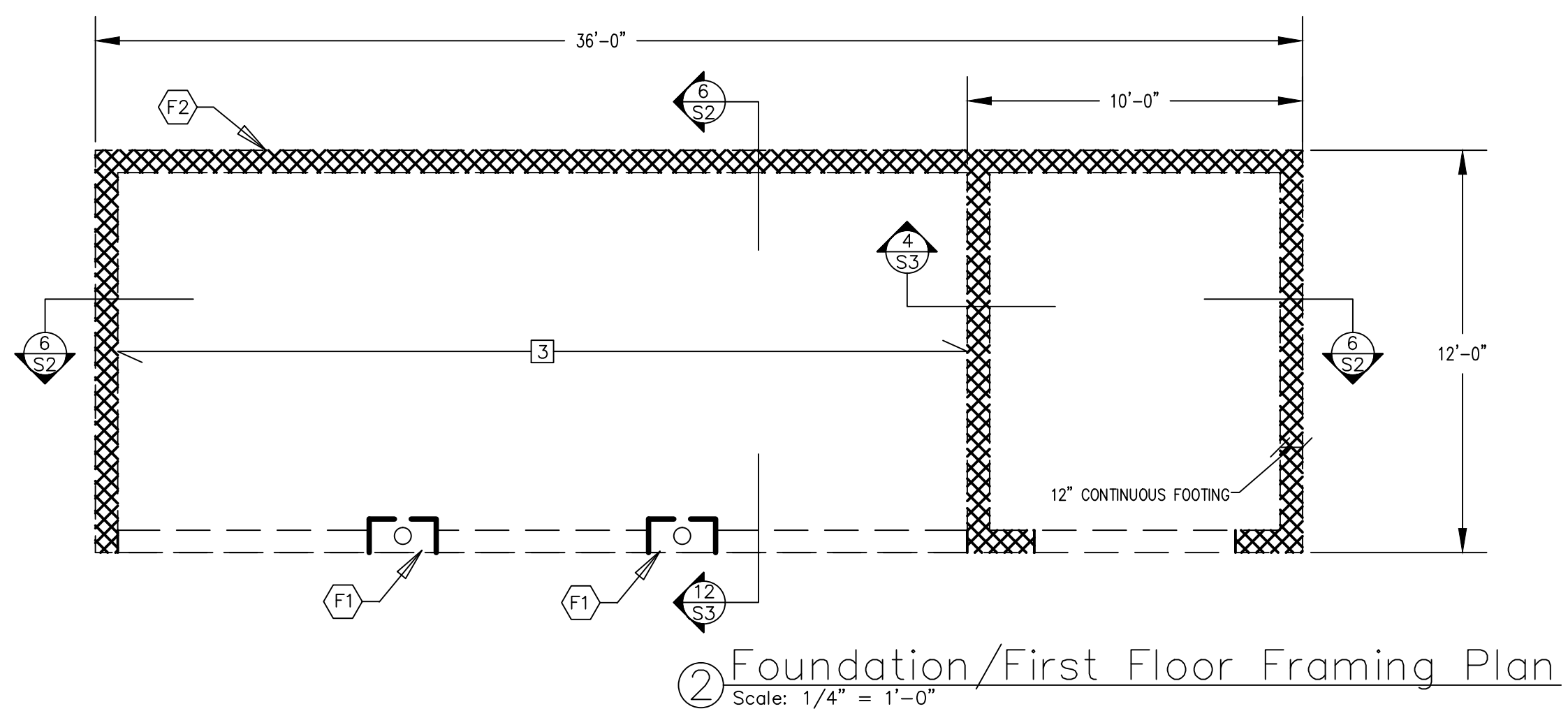
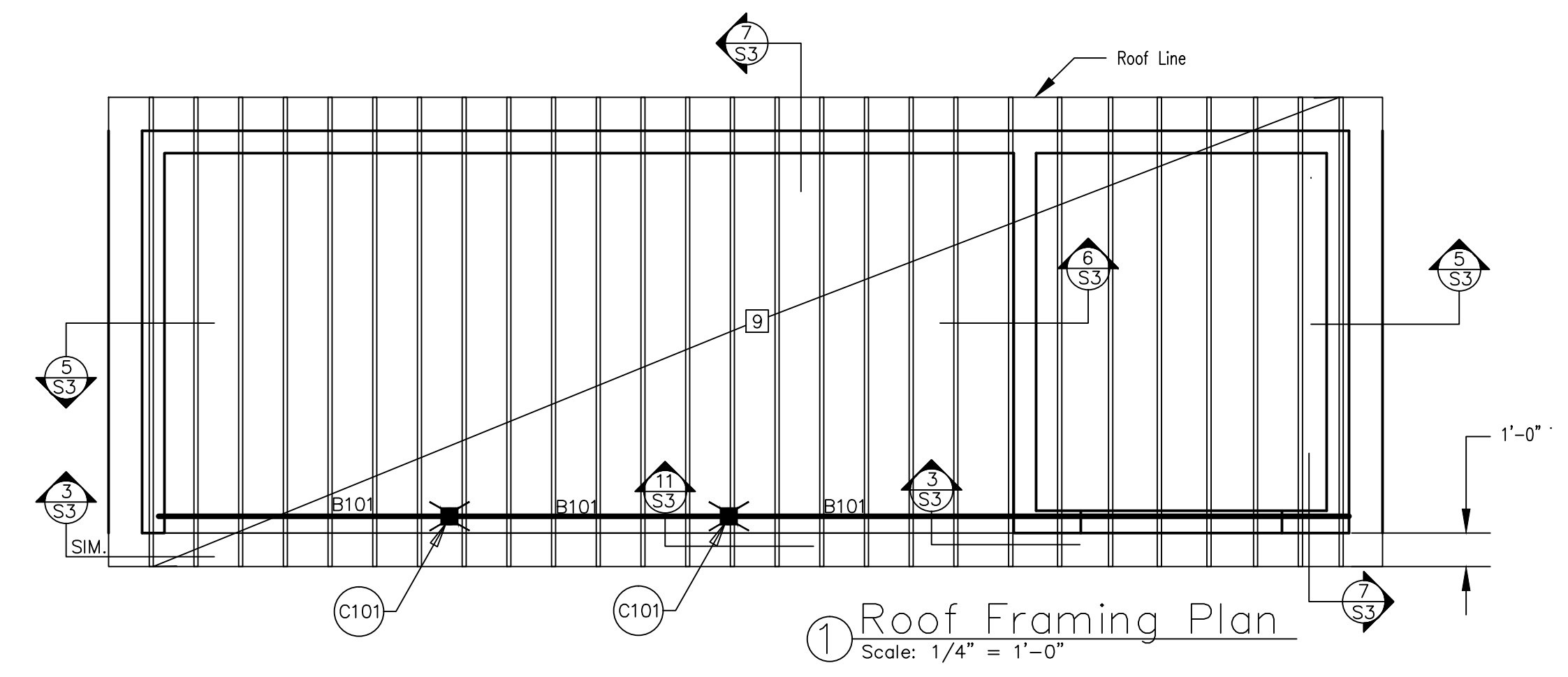
TITLE:
**FOUNDATION &
 ROOF FRAMING**

PAGE NO:

S3

LEGEND:

	MASONRY WALL
	COLUMN SUPPORTING NEXT FLOOR/ROOF UP.
	INDICATES SHEET NOTES.
	INDICATES FOOTING MARK, REFER TO FOOTING SCHEDULE.
	INDICATES COLUMN MARK, REFER TO COLUMN SCHEDULE.
	NUMERICAL VALUE, 1, 2, 3 ETC.



8 COLUMN SCHEDULE
 N.T.S. COLUMN SUPPORTING THIS ROOF

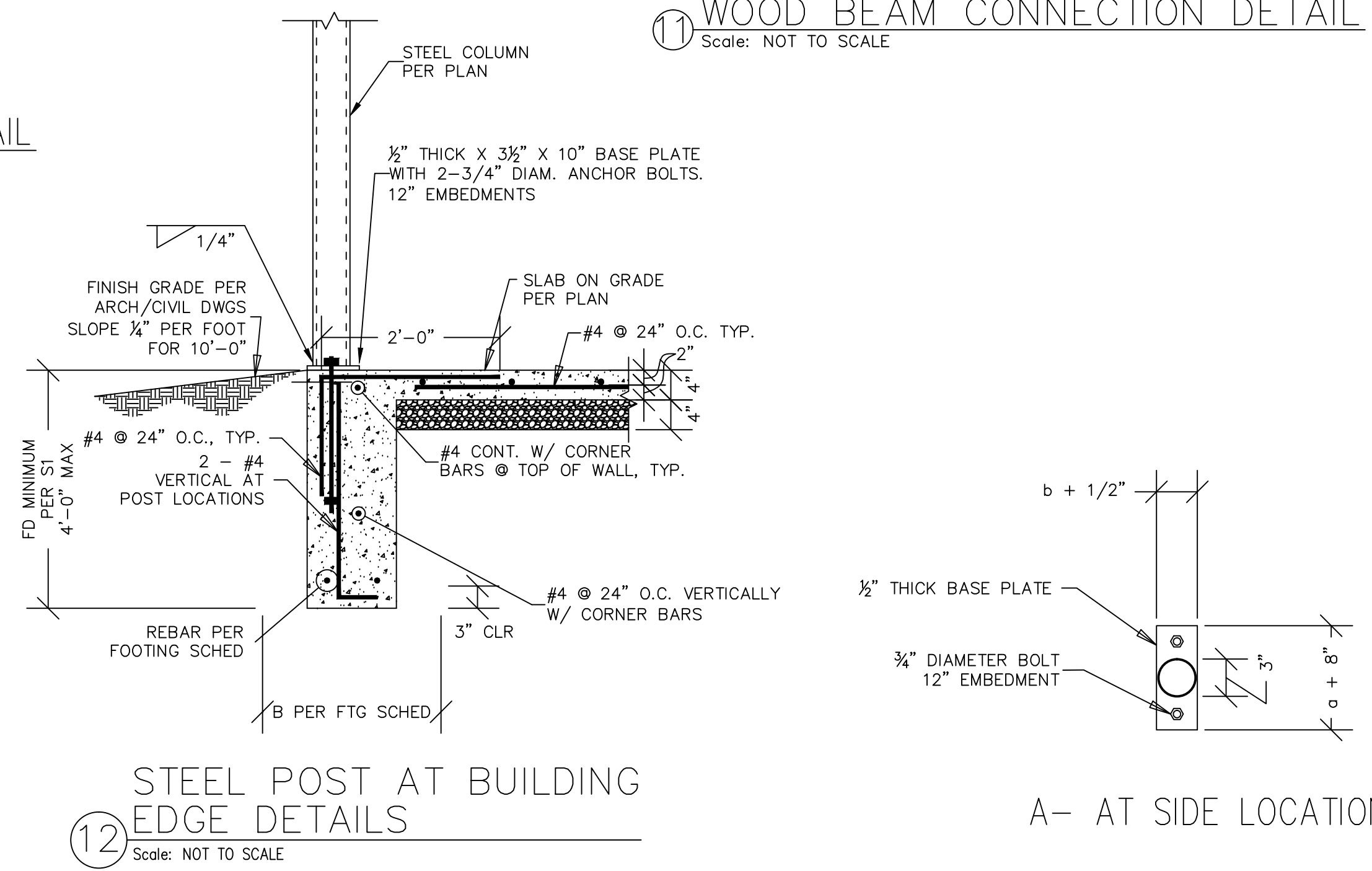
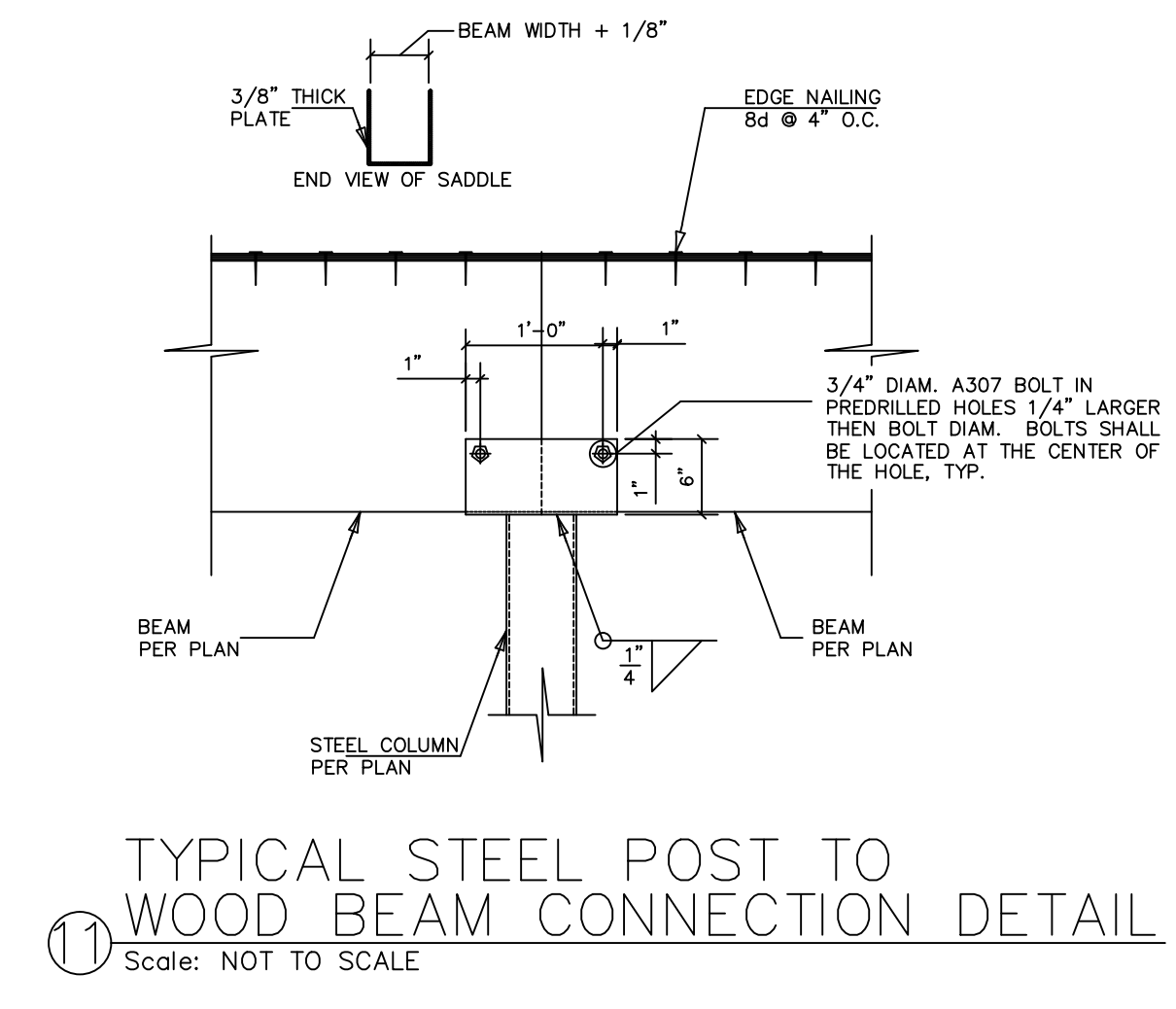
MARK	SIZE	TYPE	BASE CONNECTION	TOP CONNECTION	REMARKS
C101	2 1/2" Ø	Schedule 40 pipe	-	-	-

9 WOOD BEAM SCHEDULE
 N.T.S.

MARK	WIDTH (INCHES)	DEPTH (INCHES)	COMBINATION	CAMBER (INCH)	REMARKS
B101	4	8	No. 2 DFL	-	-

10 COLUMN FOOTING SCHEDULE
 N.T.S.

MARK	DIMENSION			BOTTOM REINFORCEMENT		DETAIL NO./REMARKS
	LENGTH "A"	WIDTH "B"	DEPTH "D"	LONGITUDINAL	TRANSVERSE	
F1	2'-0"	1'-0"	1'-0"	(2) #4	(3) #4	-
F2	1'-0"	CONTINUOUS	-	(2) #4	-	-



- SHEET NOTES:
- REFER TO S1 FOR STRUCTURAL GENERAL NOTES AND TO OTHER SHEETS FOR DETAILS.
 - VERIFY ALL DIMENSIONS WITH THE ARCHITECTURAL DRAWINGS. DO NOT SCALE DRAWINGS.
 - 4" THICK CONCRETE SLAB-ON-GRADE OVER 4" OF FREE DRAINING 3/4" CRUSHED ROCK. CRUSHED ROCK SHALL CONTAIN NO FINES TO PROVIDE A CAPILLARY MOISTURE BREAK. REINFORCE SLAB WITH #4 BARS @ 24" O.C. BOTH WAYS AT SLAB MID-THICKNESS.
 - CENTER FOOTING UNDER WALLS AND POSTS UNLESS OTHERWISE NOTED ON PLANS AND/OR DETAILS.
 - IT IS RECOMMENDED THAT NATURALLY DURABLE OR PRESERVATIVE-TREATED WOOD SHALL BE USED FOR WOOD MEMBERS THAT ARE EXPOSED TO WEATHER WITHOUT PROTECTION FROM ROOF SUCH AS BALCONIES, DECKS OR PORCHES ETC.
 - ROOF DRAINAGE SHALL BE DIRECTED AWAY FROM FOUNDATION.
 - LAY FLOOR AND ROOF STRUCTURAL PANELS WITH THE LONG DIMENSION AT RIGHT ANGLE TO SUPPORTS AND CONTINUOUS OVER TWO OR MORE SPANS.
 - ROOF SHEATHING SHALL BE 5/8" THICK APA PLYWOOD OR ORIENTED STRAND BOARDS WITH 24"/16" SPAN RATING. USE 8d @ 4" O.C. (BN) AT EXTERIOR WALLS AND INTERIOR SHEAR WALLS. 8d @ 6" O.C. (REN) AT PANEL EDGES AND 8d @ 10" P.C. AT INTERMEDIATE SUPPORTS, UON. MINIMUM PENETRATION IS 1 3/8" INTO FRAMING.
 - 2X8 DFL #2 @ 24" O.C.

RALPH HALL, PRECISION STRUCTURAL ENGINEERING 4/30/2009 4:25 PM 2x36 Structural Set.dwg