

Precision Structural Engineering, Inc.

www.structure1.com
 Klamath Falls Office
 250 Main
 Klamath Falls, Oregon
 97601
 Phone: (541) 850-6300
 Fax: (541) 850-6233
 info@structure1.com

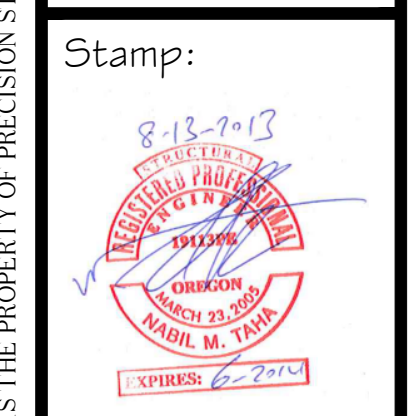
Medford Office
 536 Mason Way
 Medford OR, 97501
 Phone: (541) 858-8500
 Fax: (541) 776-4663
 infomd@structure1.com

Licensed in:
 Arizona Montana
 California Nebraska
 Colorado Nevada
 Florida Oregon
 Hawaii Pennsylvania
 Idaho Utah
 Iowa Virginia
 Kansas Washington
 Missouri Wyoming

Construction Types:
 Light Gauge Steel, Straw
 Bales, Bamboo, Log,
 Timber/Wood, Structural
 Insulated Panels/SiPs,
 Masonry, Steel, Concrete,
 Modular Home/Factory Built
 Housing (FBI), Coffee Shops,
 ICF etc. Commercial or
 Residential.

Project:
**OIT
 Softball
 Dugouts**
 3201 Campus Dr.
 Klamath Falls, OR
 97601

Owner:
OIT



REVISIONS:

MARK	DATE	BY:

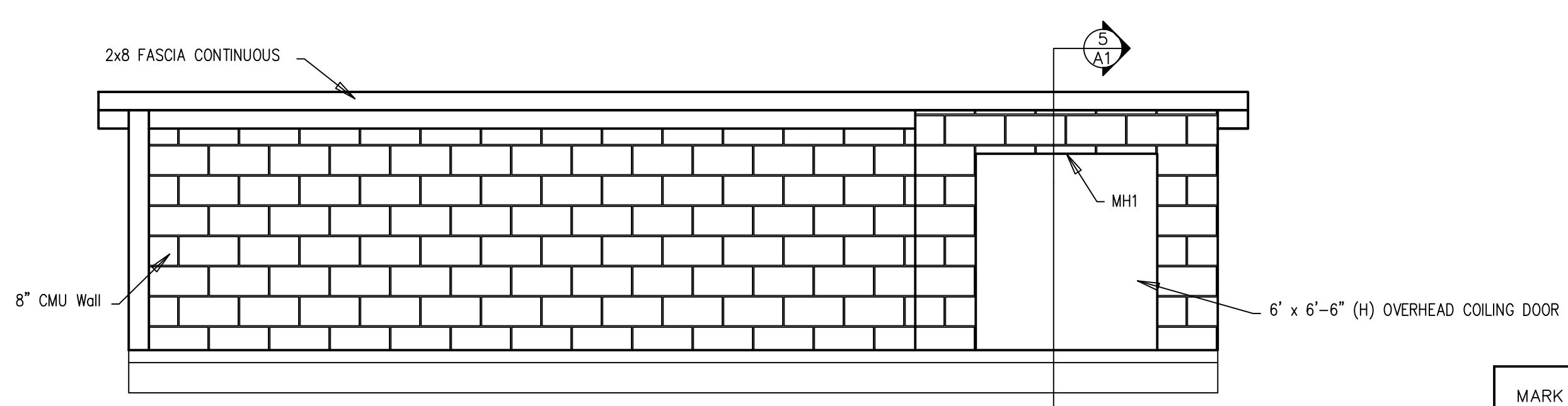
DRAWN BY: L.J.
 DS. BY: R.H.
 CHK BY: N.T.
 DATE: 07-02-13

PROJECT #:
KF213-3094

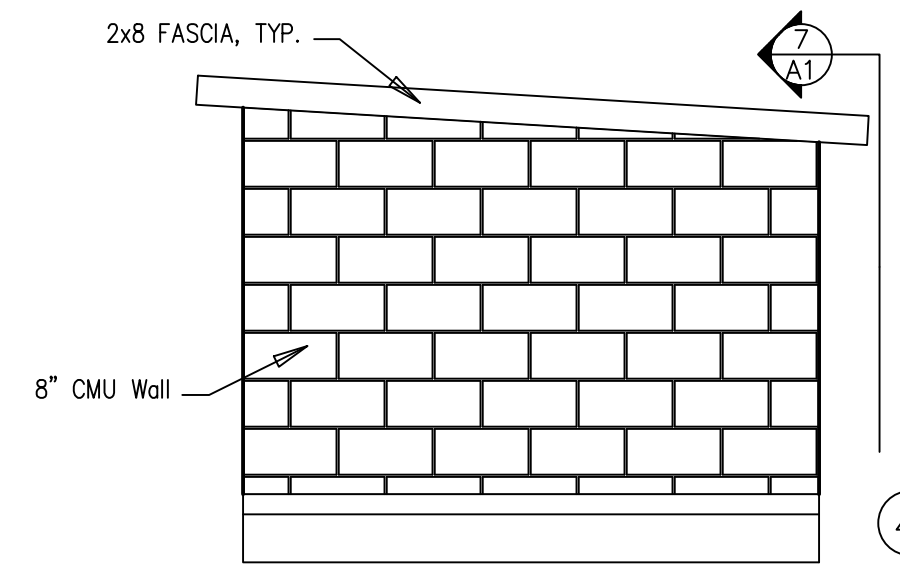
TITLE:
 Typical Details

PAGE NO:
S2

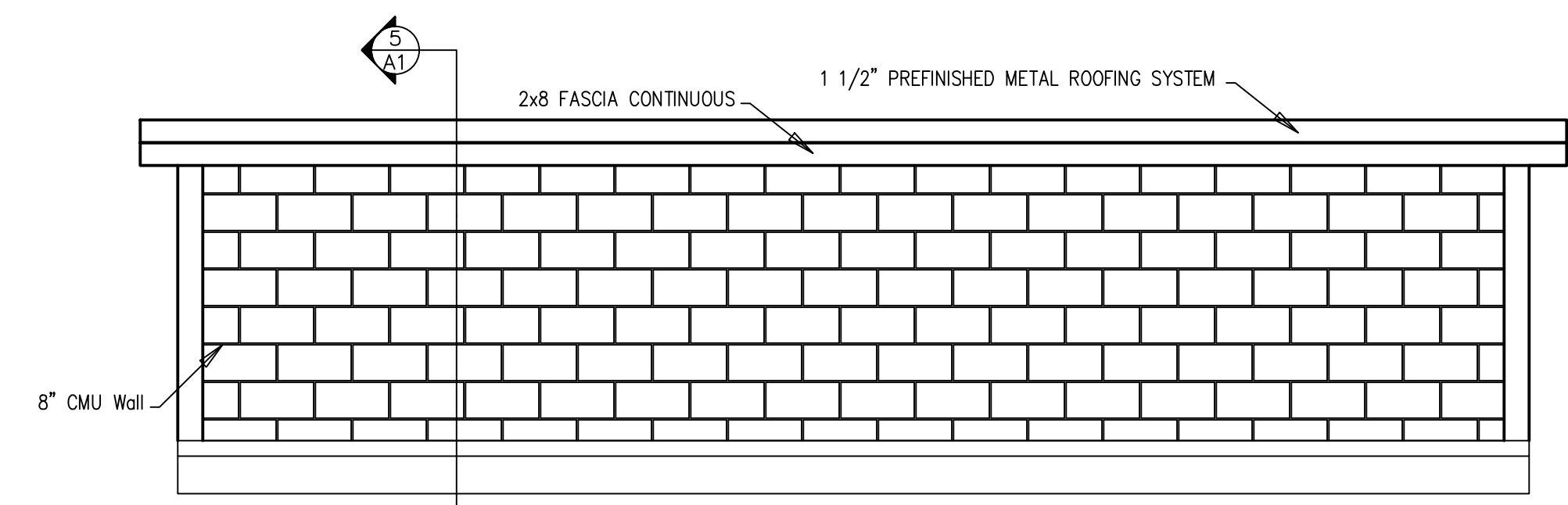
THE DOCUMENTS, IDEAS, AND DESIGNS INCORPORATED HEREIN, AS AN INSTRUMENT OF PROFESSIONAL SERVICE, IS THE PROPERTY OF PRECISION STRUCTURAL ENGINEERING, AND IS NOT TO BE USED, IN WHOLE OR PART, FOR ANY OTHER PROJECT WITHOUT THE WRITTEN PERMISSION OF PRECISION STRUCTURAL ENGINEERING.



1 SOUTH
 Scale: 1/4" = 1'-0"



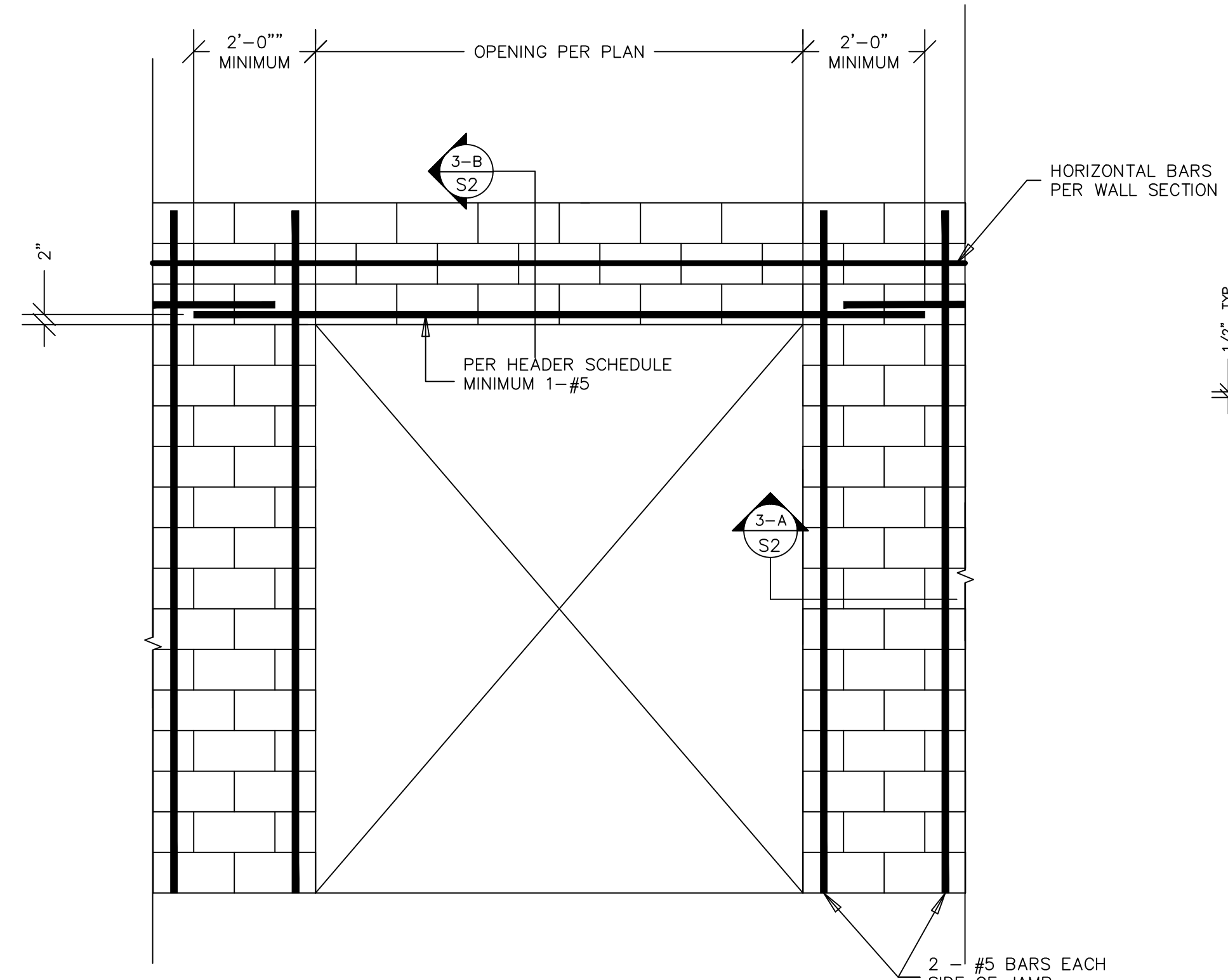
4 EAST
 Scale: 1/4" = 1'-0"



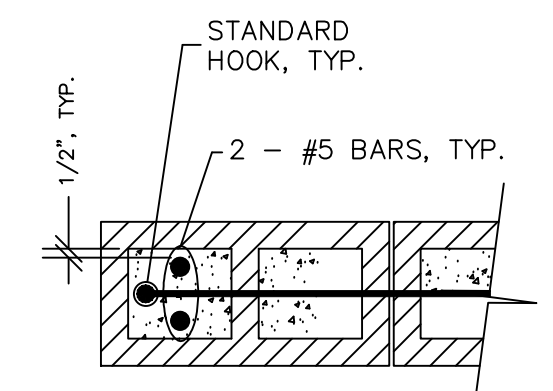
2 NORTH
 Scale: 1/4" = 1'-0"

MASONRY HEADERS SCHEDULE
 Scale: NOT TO SCALE

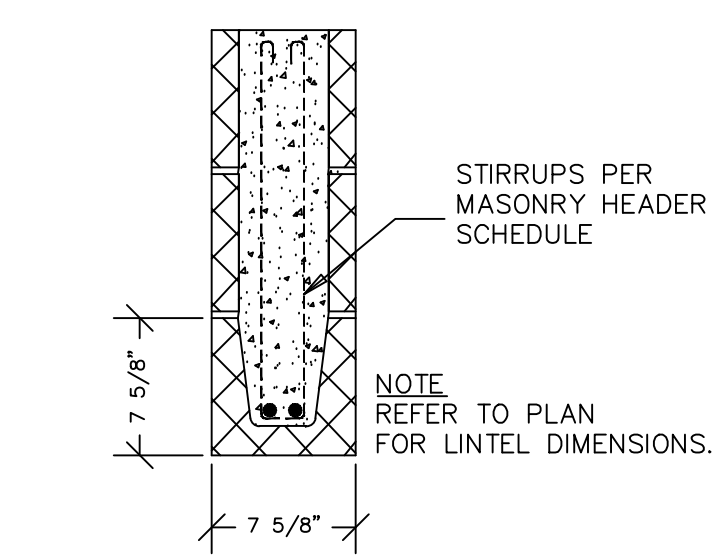
MARK	SIZE	BOTTOM BARS	MIDDLE BARS	TOP BARS	STIRRUPS
MH1	8x8	-	1 - #4	-	-



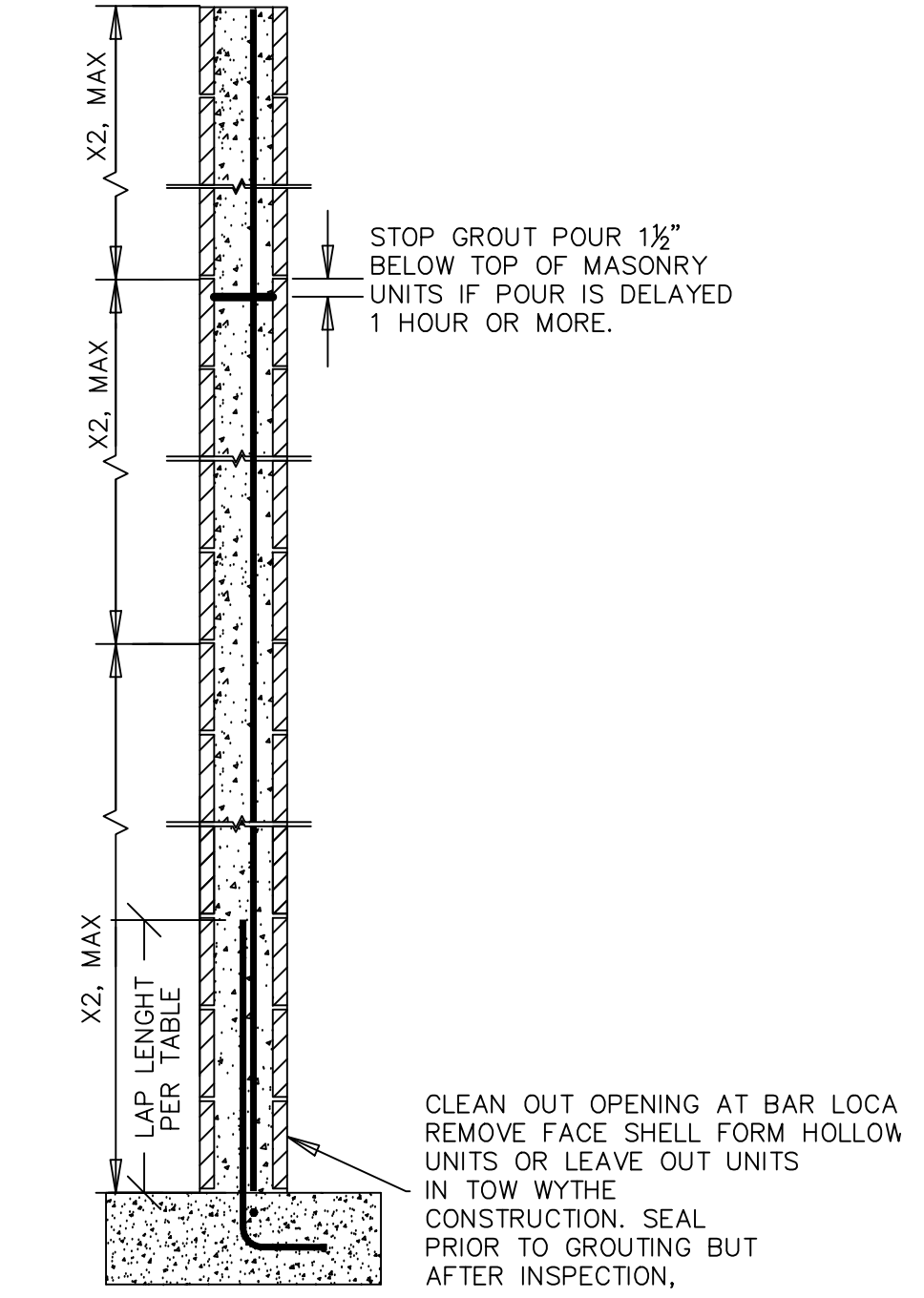
3 TYPICAL WALL OPENING REINFORCING DETAILS
 Scale: NOT TO SCALE



3.A SECTION
 Scale: 3/4" = 1'-0"

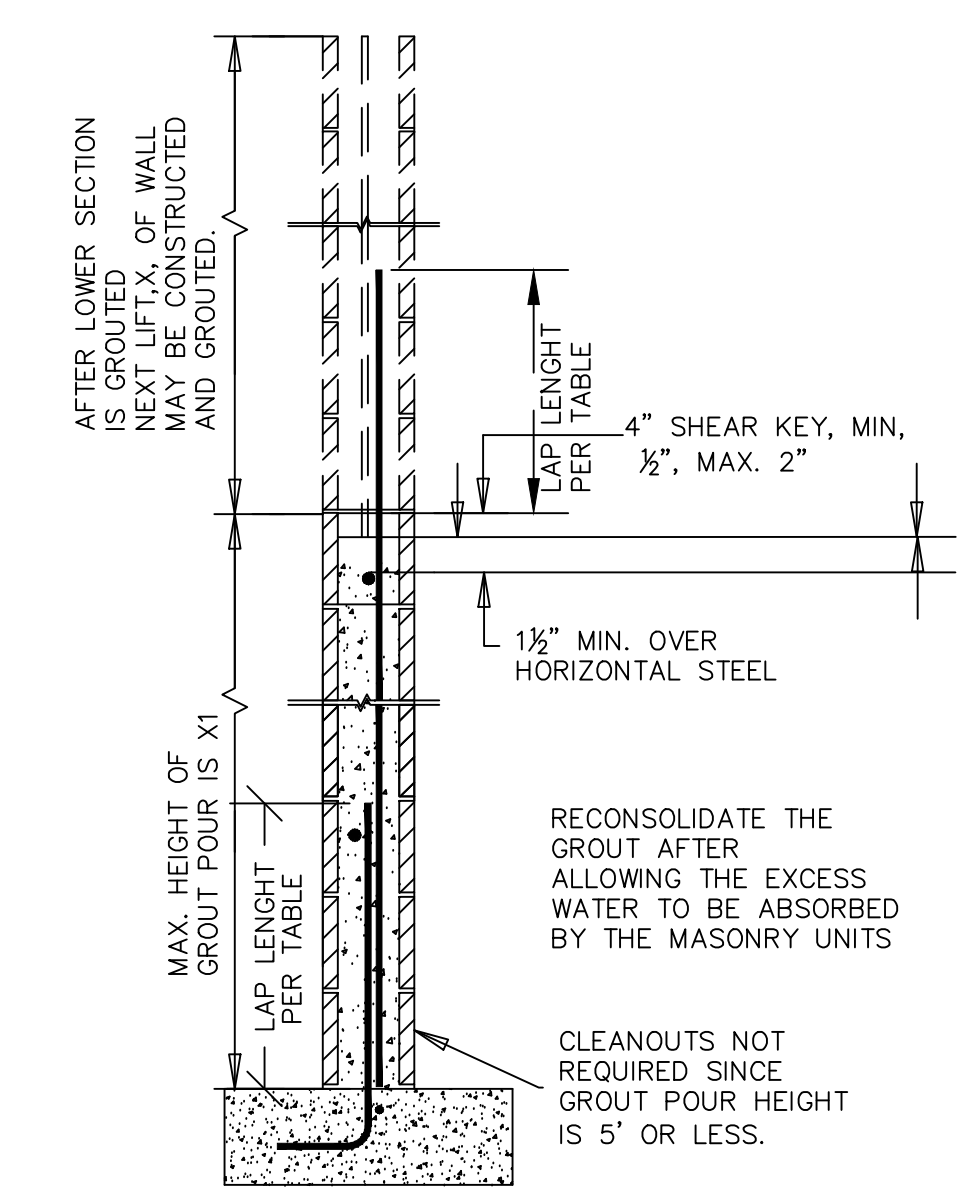


3.B SECTION
 Scale: 3/4" = 1'-0"

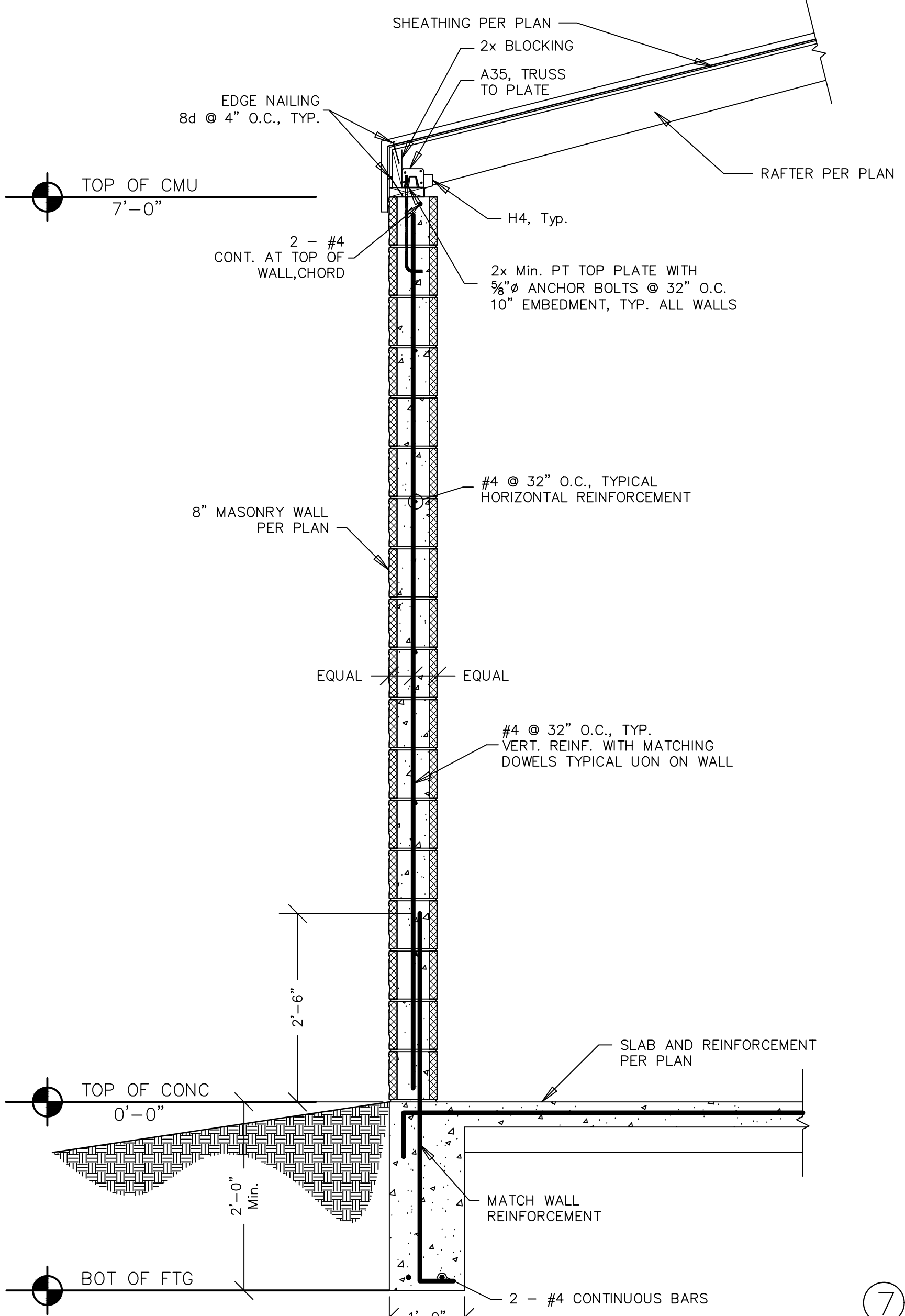


5 HIGH LIFT GROUTING
 Scale: NOT TO SCALE

FOR CALIFORNIA HOSPITALS AND SCHOOL PROJECTS
 1-X2= 6'-0" FOR ALL CONSTRUCTION EXCELLET
 AS SHOWN ON 2 TO 4 BELOW.
 2-REFER TO DIVISION OF THE STATE ARCHITECTS
 INTERPRETAION OF REGULATIONS, IR-21-2
 3-CONTRACTOR SHALL OBTAIN APPROVAL FROM
 THE ENFORCEMENT AGENCY.
 4-X2= 4'-0".



8 LOW LIFT GROUTING
 Scale: NOT TO SCALE



6 TYPICAL WALL SECTION
 Scale: NOT TO SCALE

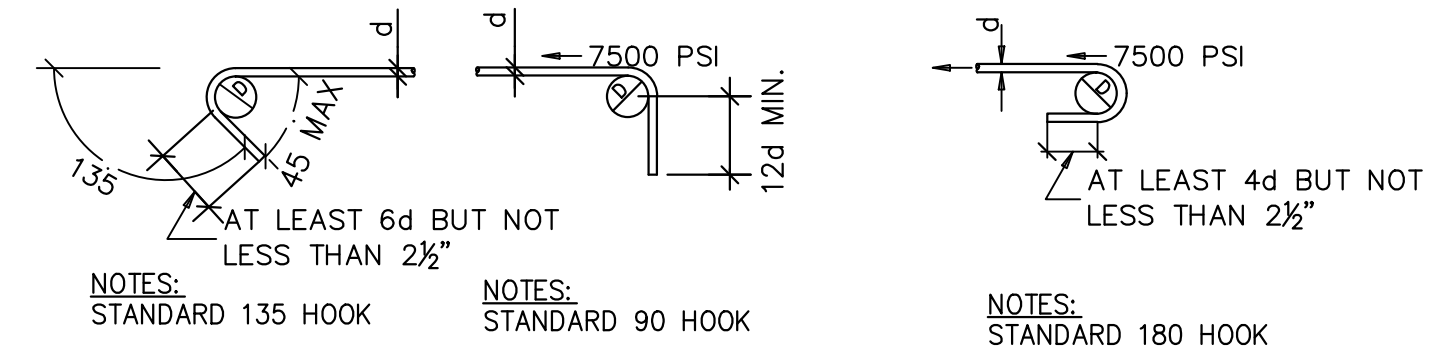
LENGTH OF LAP (INCHES)¹ GRADE 60 STEEL F_y = 24,000 PSI

BAR SIZE	LAPS FOR TENSION BARS	
	48x1.3 D _b (INCHES)	LONG SPLICE 48x1.5 ¹ = 72 DIA. (INCHES)
3	0.375	23
4	0.500	31
5	0.625	39
6	0.750	47
7	0.875	54
8	1.000	62
9	1.128	70
10	1.270	79
11	1.410	87

1. ONLY WHEN CALLED ON PLANS OR DETAILS AS "LONG SPLICE" WHERE F_y > 0.80% PER UBC SEC. 2107.2.12.

7 LAP SPLICES FOR REINFORCING STEEL
 Scale: NOT TO SCALE

BAR SIZE	NO.	DIA. D _b (INCHES)	CROSS SECT. A _s (SQ. IN.)	D		REMARKS ²
				(INSIDE DIA) (INCHES)	(OUTSIDE DIA) (INCHES)	
3	0.375	0.11	2 1/4	3		
4	0.500	0.20	3	4	D= 6D _b FOR BARS OR=4d FOR #4 OR SMALLER STIRRUPS	
5	0.625	0.31	3 3/4	5		
6	0.750	0.44	4 1/2	6		
7	0.875	0.60	5 1/4	7		
8	1.000	0.79	6	8		



X REINFORCEMENT BENDS & LAPS
 Scale: 1/4" = 1'-0"

RALPH HALL, PRECISION STRUCTURAL ENGINEERING 4/30/2009 4:25 PM 24x36 Structural Set.dwg