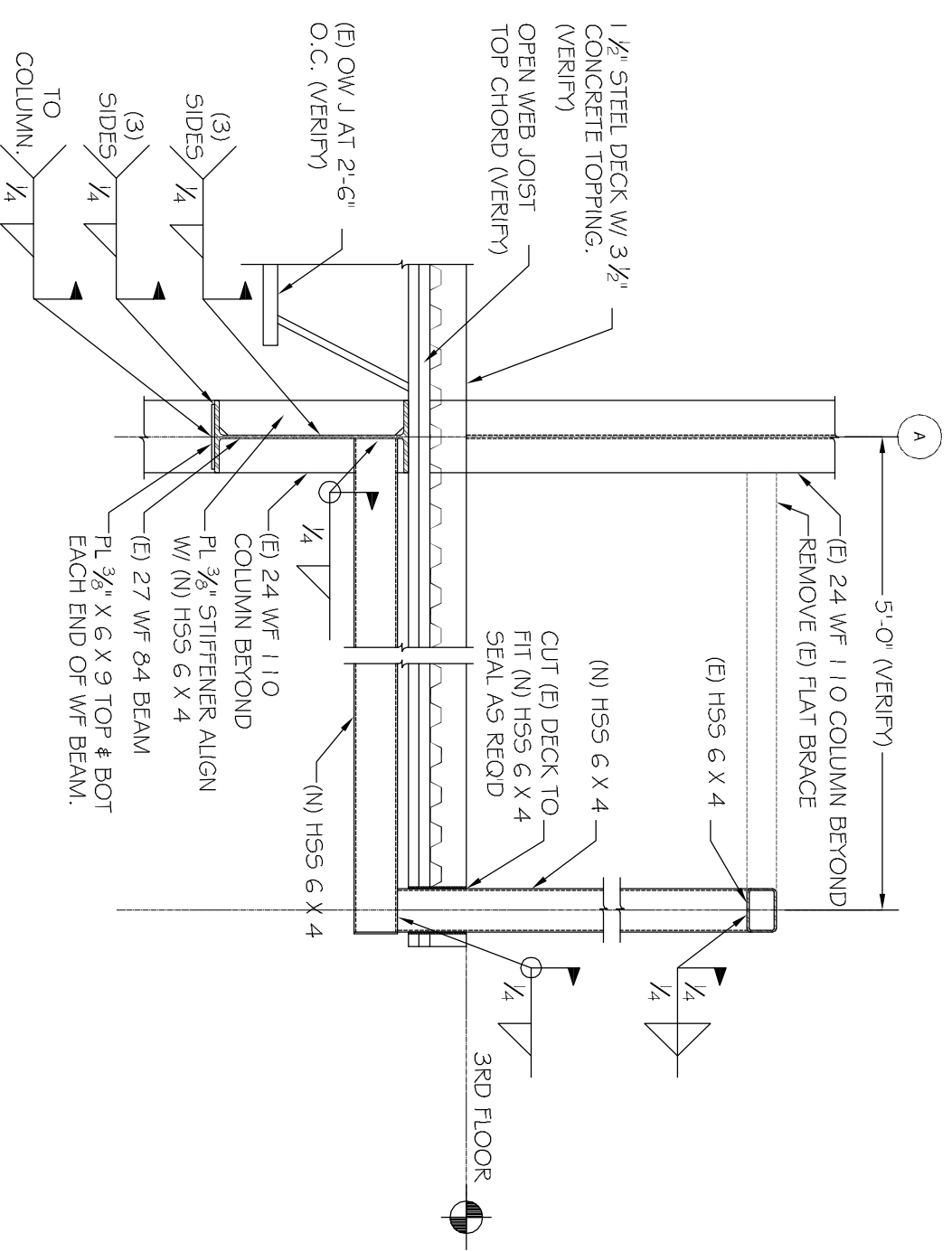
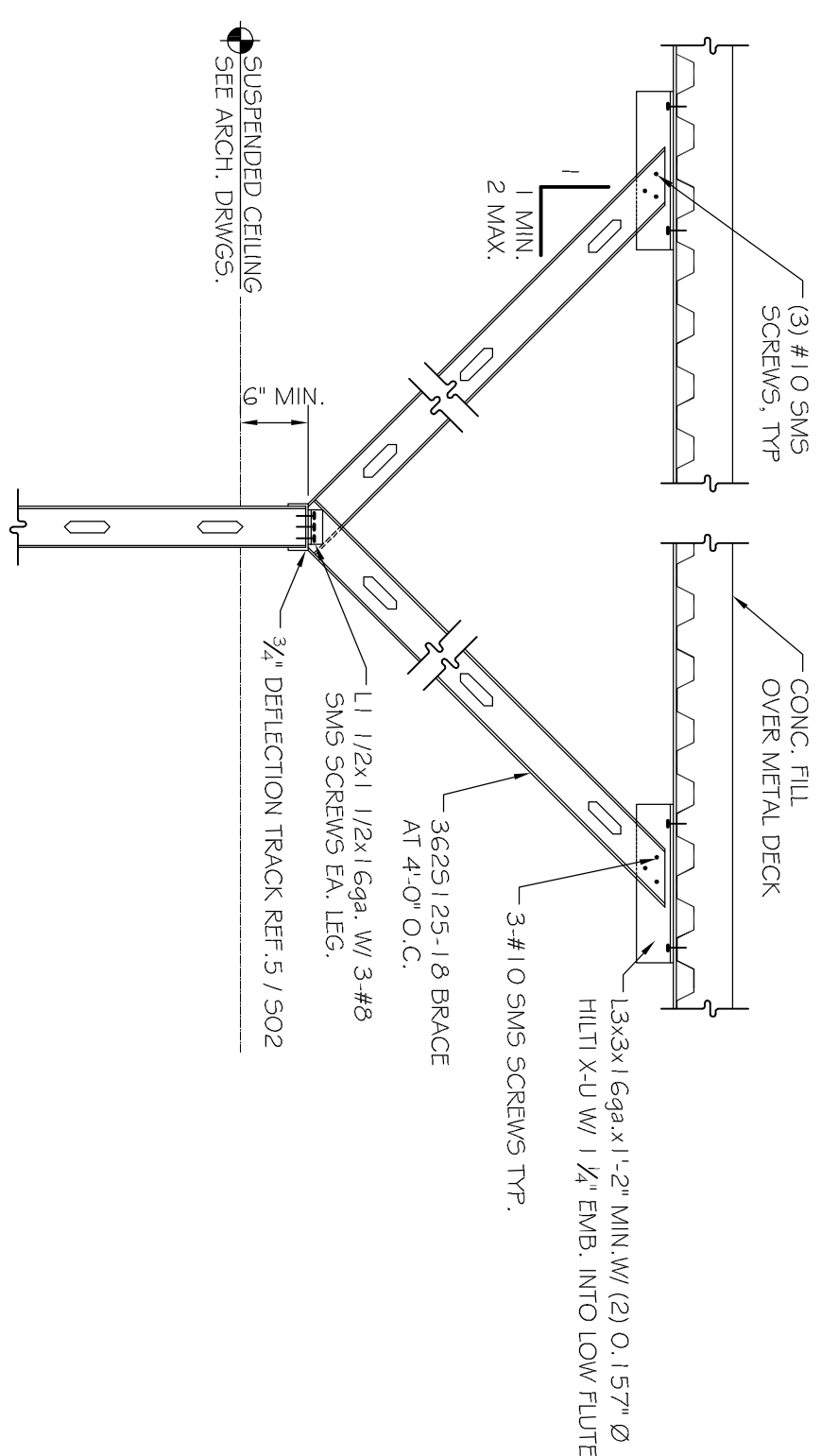


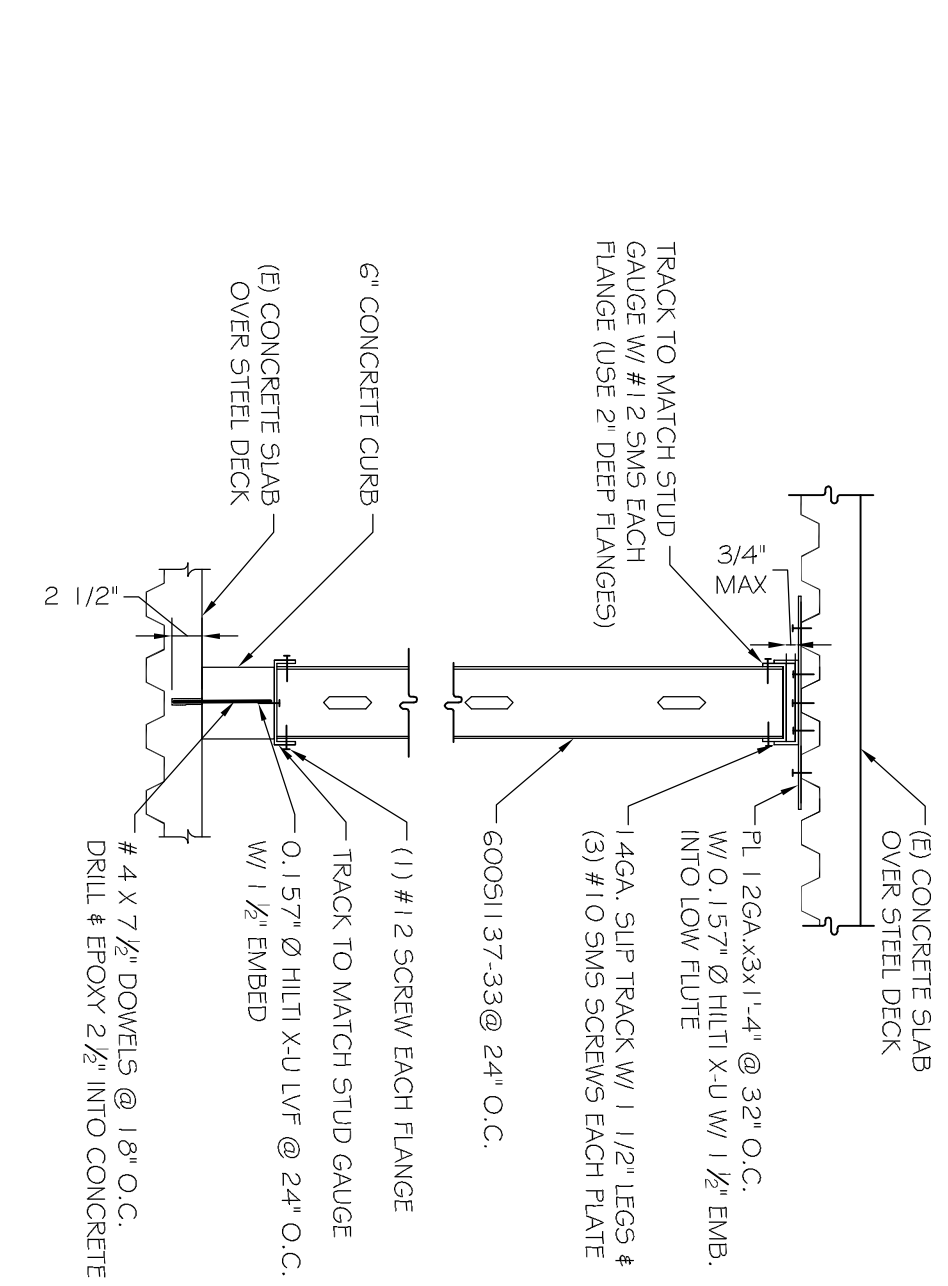
1 (N) PARAPET BRACE LOCATION @ 3RD FLOOR
S0.2 SCALE: 1"=1/2"



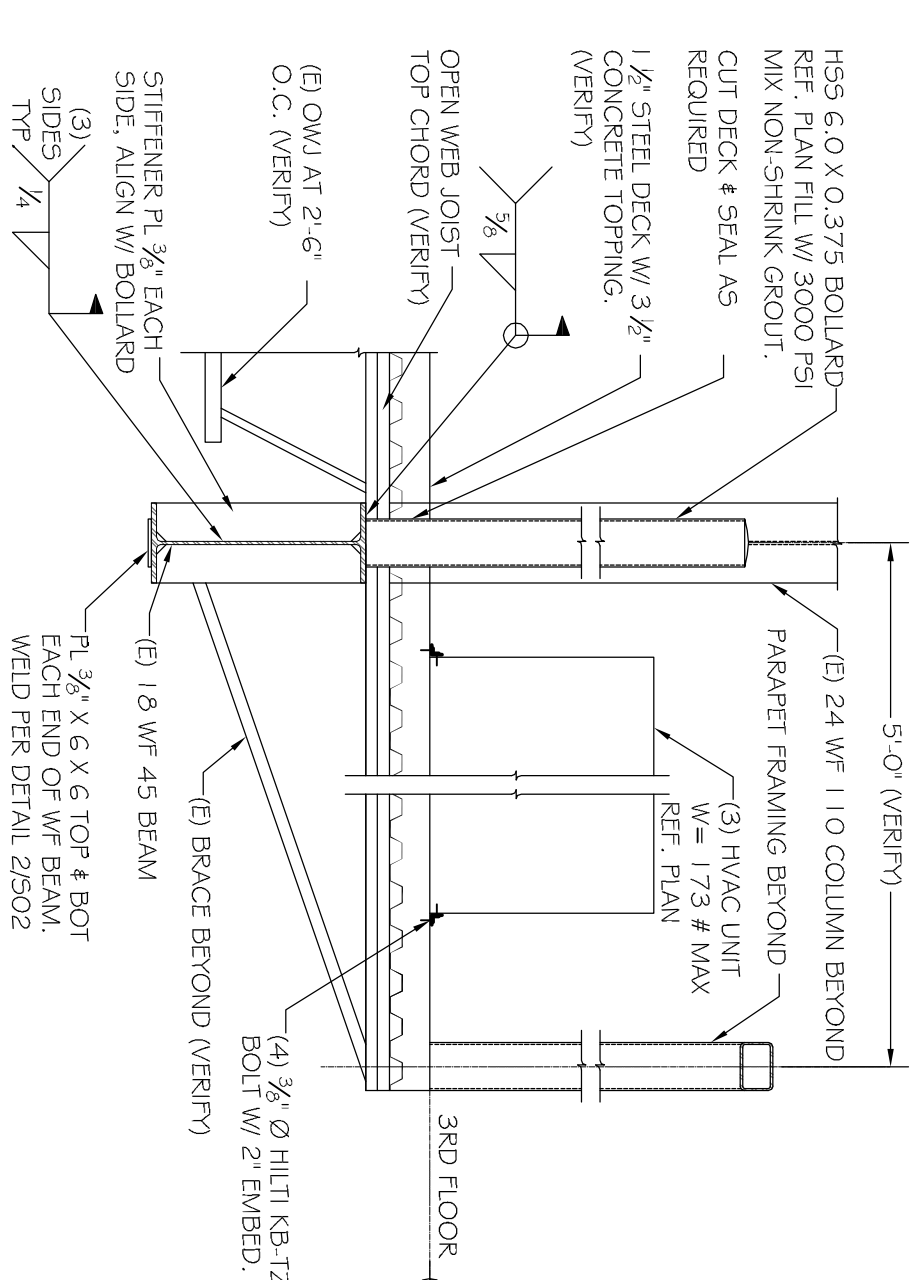
2 (N) PARAPET BRACE CONNECTION DETAIL
S0.2 SCALE: 1"=1/2"



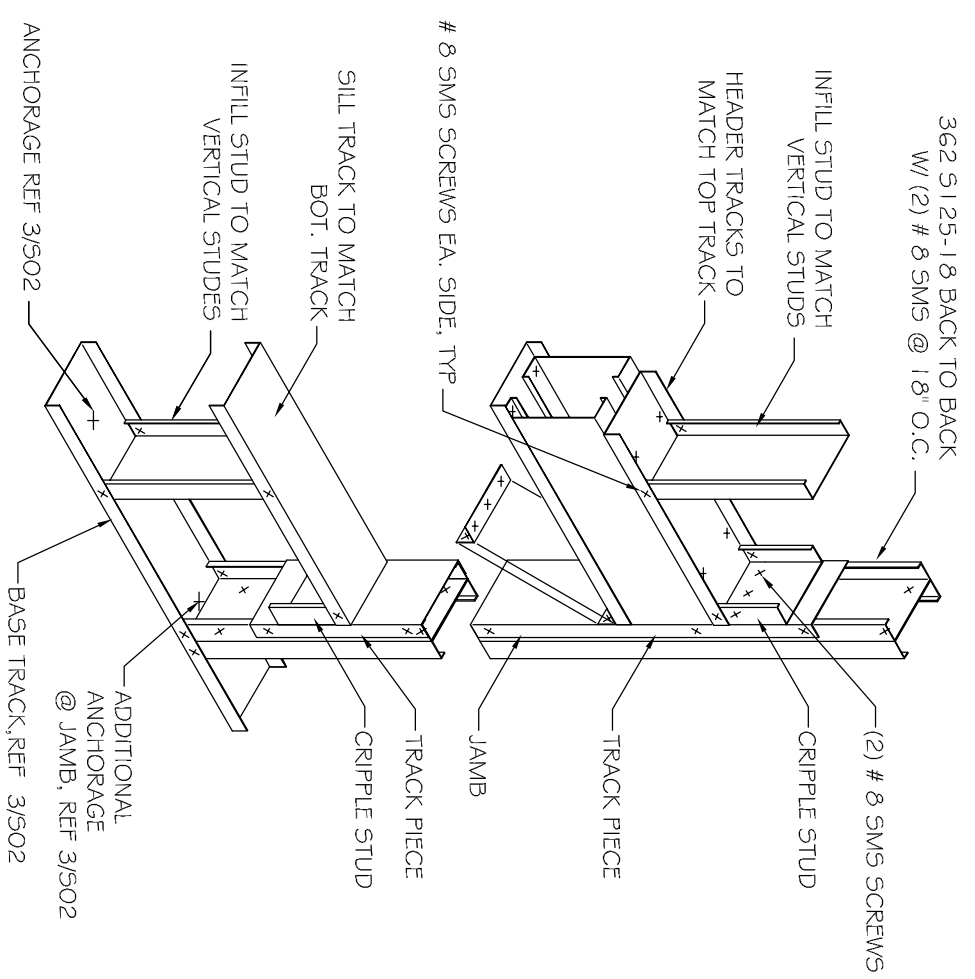
3 TYPICAL INTERIOR WALL BRACING DETAIL
S0.2 SCALE: 1"=3/4"



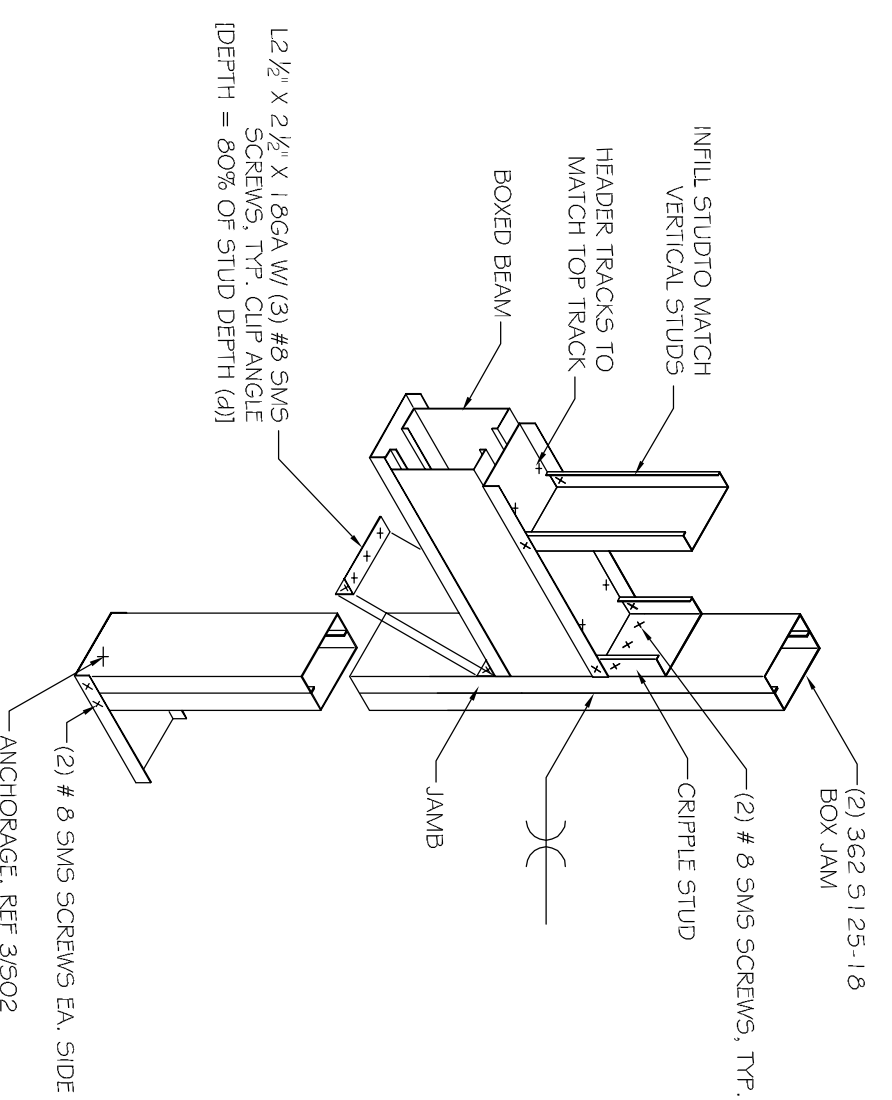
4 TYPICAL EXTERIOR STUD CONNECTION DETAIL
S0.2 SCALE: 1"=3/4"



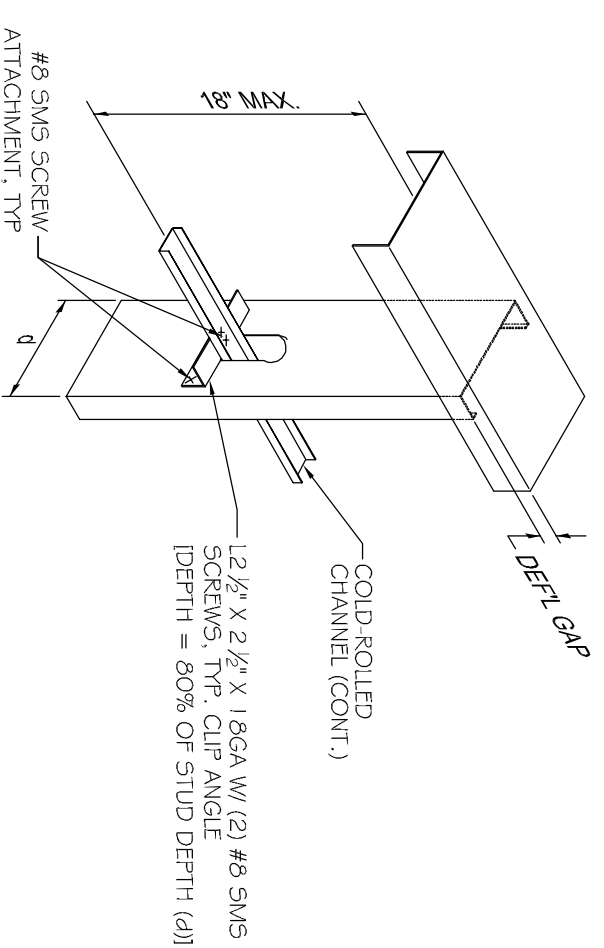
5 HVAC ADD. SUPPORT/BOLLARD CONN. DETAIL
S0.2 SCALE: 1"=3/4"



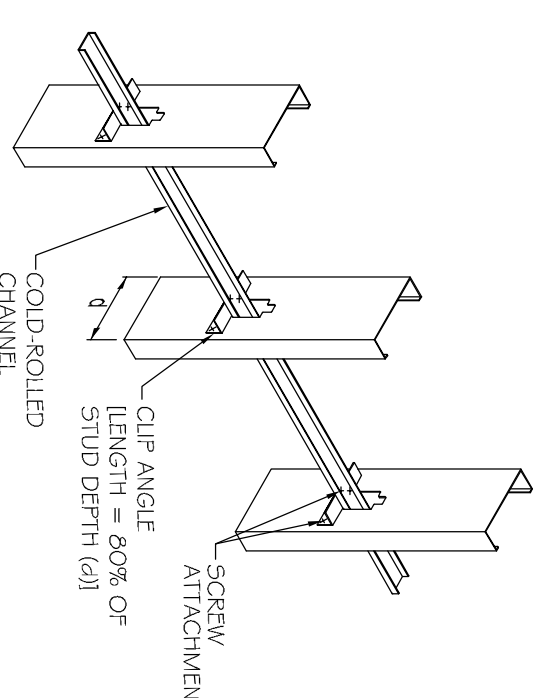
STUD FRAMING AT WINDOW
(NON-LOAD BEARING)



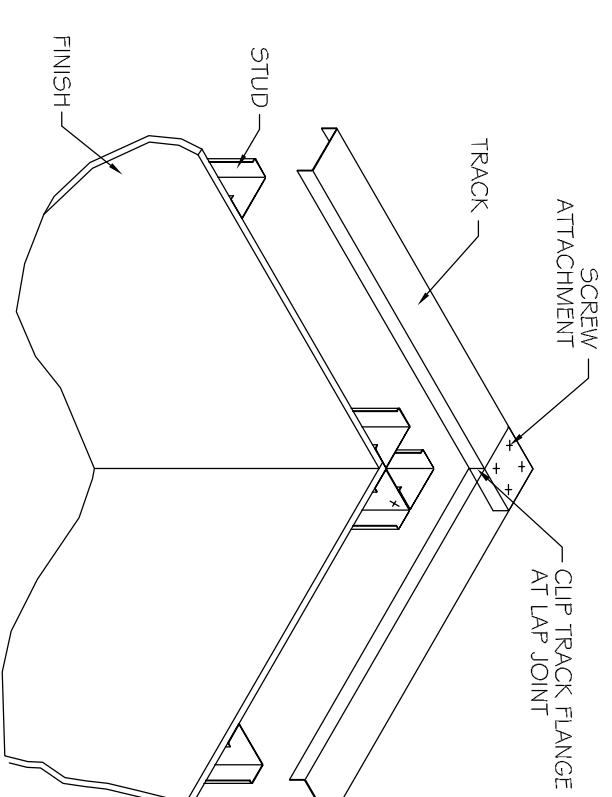
STUD FRAMING AT DOOR
(NON-LOAD BEARING)



DEFLECTION TRACK
ASSEMBLY



TYPICAL BRIDGING DETAIL



INTERIOR WALL FRAMING
AT CORNER

PSU - STUDENT HEALTH & COUNSELING (SHAC)

1880 SW 6th AVENUE, PORTLAND, OREGON 97201
OWNER: PORTLAND STATE UNIVERSITY - FACILITIES AND PLANNING (FAP)
202 UNIVERSITY SERVICES BLDG - 617 SW MONTGOMERY
PORTLAND, OREGON 97201
CONTACT: KAY BYRNE 503-725-9837



NBZ Consulting Engineers

21617 SW Susan Lane
Beaverton, OR 97006
Ph: 971- 222- 4378
Fax: 503- 848- 8748

