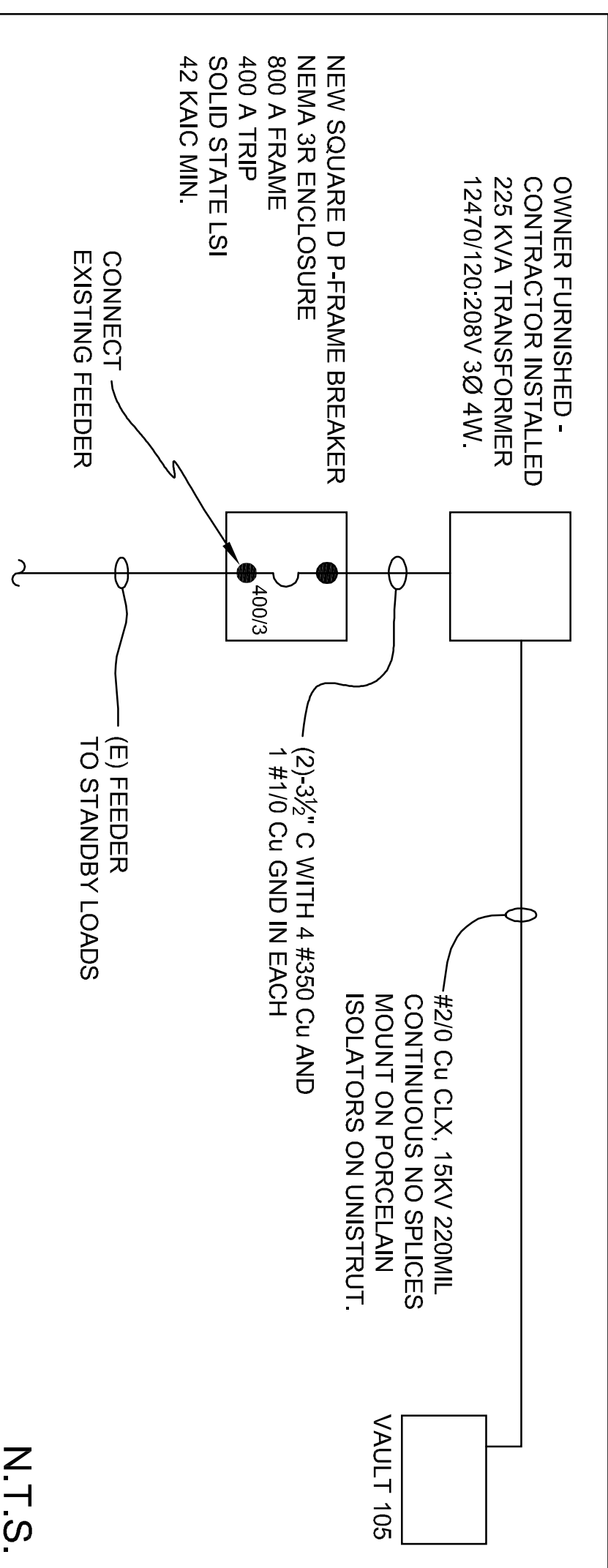
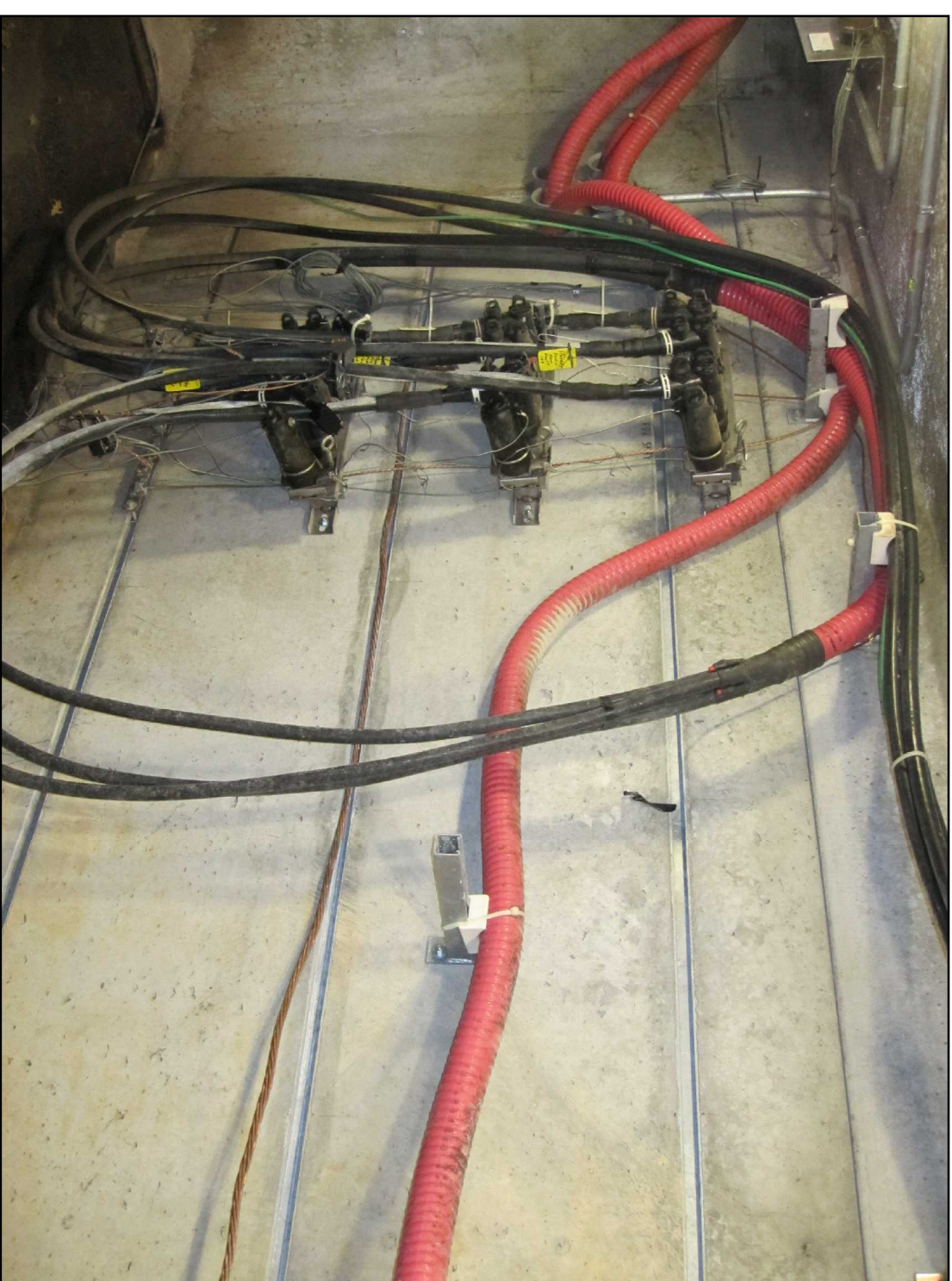
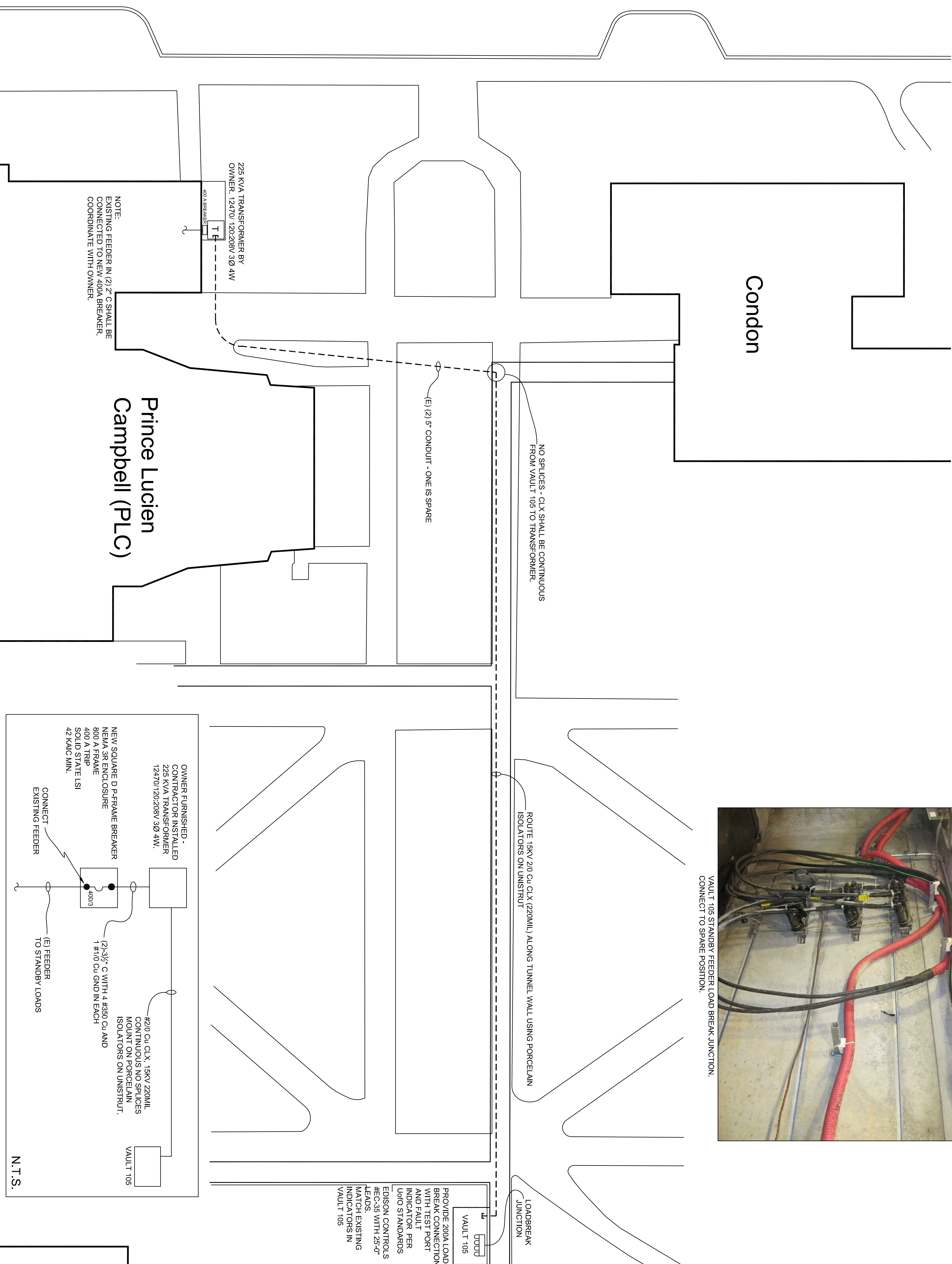


SCALE 1"=10'



ONE-LINE DIAGRAM

N.T.S.

N.T.S.

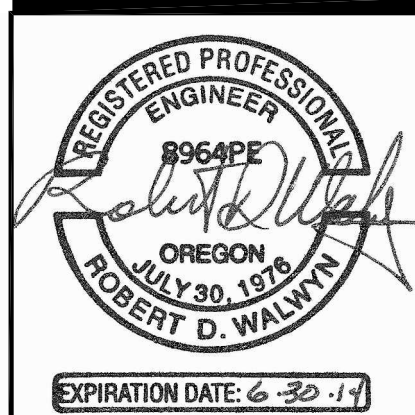
PROVIDE 200A LOAD BREAK CONNECTION WITH TEST PORT AND FAULT INDICATOR PER IUPHO STANDARDS EDISON CONTROLS #EC-35 WITH 25'-0" LEADS. MATCH EXISTING INDICATORS IN VAULT 105

UNIVERSITY OF OREGON SITE PLAN
for
PLC STANDBY FEEDER
Eugene Oregon

DATE: 10-11-12
PROJECT No: _____
SCALE: HORIZ _____
VER: _____
DRAWN BY: JRW
DESIGNED BY: RDW
CHECKED BY: RDW

REVISIONS:
11/7/2012
01/15/2013

SHEET E-1 of 1



SYNERGY
Engineering LLC
46840 McKenzie Highway Phone and Fax
Vida, OR 97488 Ph (541) 953-6922
Fax (541) 896-3185



MOUNT NEW 225A - 3Ø DISTRIBUTION PANEL IN ROOM 50A.



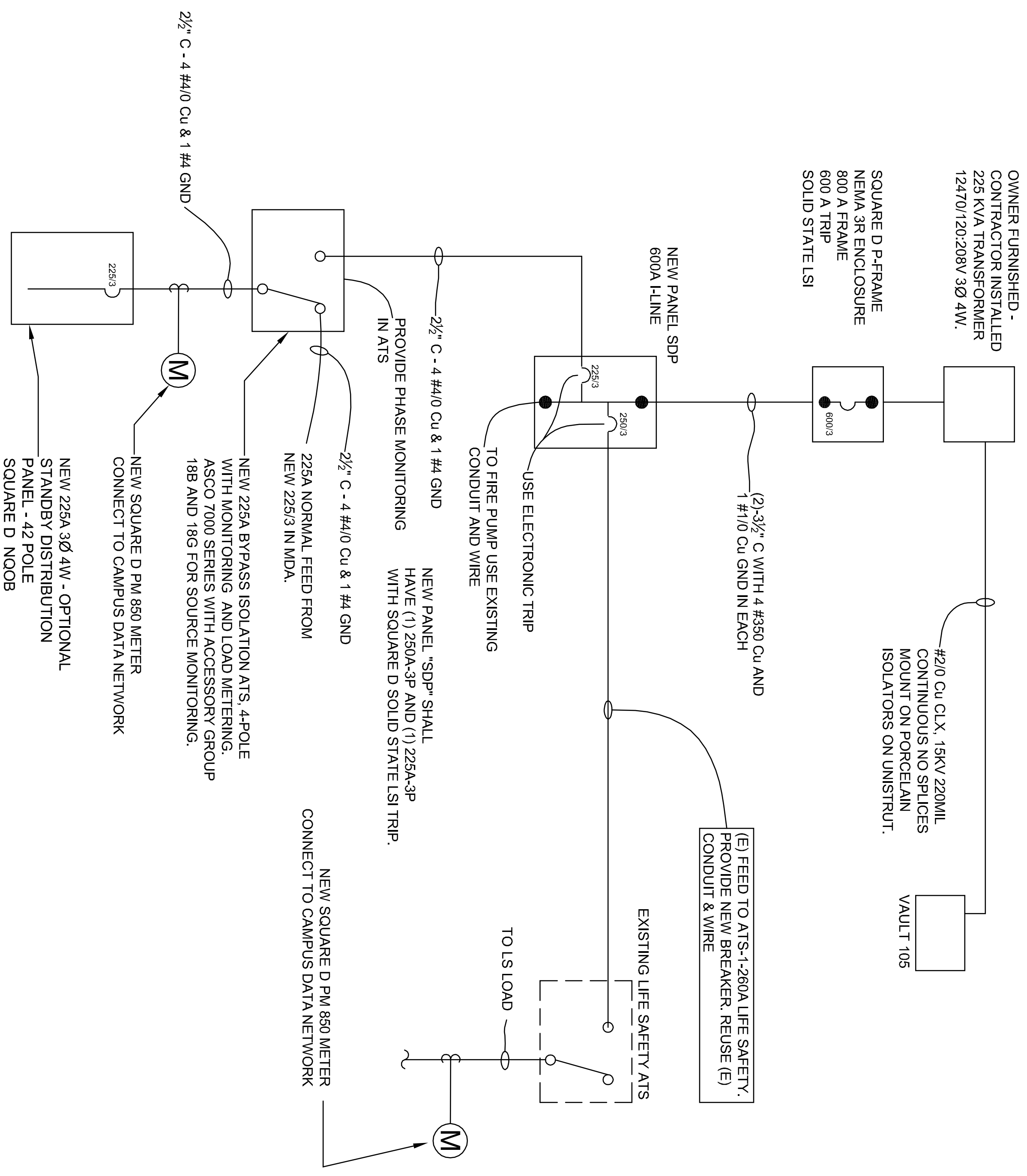
MOUNT NEW 225A BYPASS ISOLATION AT'S IN ROOM 50A



PROVIDE NEW 225/3 IN EXISTING SPACE. MATCH EXISTING.



REPLACE EXISTING "EDP" WITH NEW 600A I-LINE "SDP" CONNECT EXISTING FIRE PUMP FEEDER TO FEED THRU LUGS.



ONE-LINE DIAGRAM

NTS

PANEL SCHEDULE

DATE: August 2, 2012
PROJECT: U OF M.C. STANDBY FEEDER

LOAD CLASS	Cont.	Demanded	Connected	Breaker
LIGHTING	0	100%	0	0
OUTLETS	0	**	0	0
MOTOR LOADS	0	100%	0	0
RESISTANCE LOADS	0	100%	0	0
SHRTER	0	100%	0	0
MISC. LOADS	0	100%	0	0
TOTAL WOL. CAPS:	0.0	0.0	0.0	0.0
MAXIMUM PHASE AMPS:	0.0	0.0	0.0	0.0

PANEL SCHEDULE

DATE: August 2, 2012
PROJECT: U OF M.C. STANDBY FEEDER

LOAD CLASS	Cont.	Demanded	Connected	Breaker
LIGHTING	0	100%	0	0
OUTLETS	0	**	0	0
MOTOR LOADS	0	100%	0	0
RESISTANCE LOADS	0	100%	0	0
SHRTER	0	100%	0	0
MISC. LOADS	0	100%	0	0
TOTAL WOL. CAPS:	0.0	0.0	0.0	0.0
MAXIMUM PHASE AMPS:	0.0	0.0	0.0	0.0

BREAKER

A	P	DESCRIPTION	WATTS	CIR. NO.	PHASE	CIR. NO.	WATTS	DESCRIPTION	BREAKER
225/3		3-ENERGIZING AT'S		1	A	2			A
				2	B	3			B
				3	C	4			C
				4	A	5			A
				5	B	6			B
				6	C	7			C
				7	A	8			A
				8	B	9			B
				9	C	10			C
				10	A	11			A
				11	B	12			B
				12	C	13			C
				13	A	14			A
				14	B	15			B
				15	C	16			C
				16	A	17			A
				17	B	18			B
				18	C	19			C
				19	A	20			A
				20	B	21			B
				21	C	22			C
				22	A	23			A
				23	B	24			B
				24	C	25			C
				25	A	26			A
				26	B	27			B
				27	C	28			C
				28	A	29			A
				29	B	30			B
				30	C	31			C
				31	A	32			A
				32	B	33			B
				33	C	34			C
				34	A	35			A
				35	B	36			B
				36	C	37			C
				37	A	38			A
				38	B	39			B
				39	C	40			C
				40	A	41			A
				41	B	42			B
				42	C				C

PHASE TOTALS

Connected VA	0	0	0
Demanded VA	0	0	0
Connected Amps	0.0	0.0	0.0
Demanded Amps	0.0	0.0	0.0

* 100% AT 100% UTILIZATION AT 95%
** 100% PHASE 25% WITHIN PHASE MOTOR

BREAKER

A	P	DESCRIPTION	WATTS	CIR. NO.	PHASE	CIR. NO.	WATTS	DESCRIPTION	BREAKER
				1	A	2			A
				2	B	3			B
				3	C	4			C
				4	A	5			A
				5	B	6			B
				6	C	7			C
				7	A	8			A
				8	B	9			B
				9	C	10			C
				10	A	11			A
				11	B	12			B
				12	C	13			C
				13	A	14			A
				14	B	15			B
				15	C	16			C
				16	A	17			A
				17	B	18			B
				18	C	19			C
				19	A	20			A
				20	B	21			B
				21	C	22			C
				22	A	23			A
				23	B	24			B
				24	C	25			C
				25	A	26			A
				26	B	27			B
				27	C	28			C
				28	A	29			A
				29	B	30			B
				30	C	31			C
				31	A	32			A
				32	B	33			B
				33	C	34			C
				34	A	35			A
				35	B	36			B
				36	C	37			C
				37	A	38			A
				38	B	39			B
				39	C	40			C
				40	A	41			A
				41	B	42			B
				42	C				C

PHASE TOTALS

Connected VA	0	0	0
Demanded VA	0	0	0
Connected Amps	0.0	0.0	0.0
Demanded Amps	0.0	0.0	0.0

* 100% AT 100% UTILIZATION AT 95%
** 100% PHASE 25% WITHIN PHASE MOTOR

DATE: 10-11-12
PROJECT No: _____
SCALE: HORIZ
VLR: _____
DRAWN BY: URW
DESIGNED BY: RDW
CHECKED BY: RDW

REVISIONS:
11/7/2012

SHEET E-2 of 2

DETAILS for PLC STANDBY FEEDER
Eugene Oregon

REGISTERED PROFESSIONAL ENGINEER
ROGAPP
OREGON JULY 30, 1976
ROBERT D. WALSH
EXPIRATION DATE: 6-30-14

SYNERGY Engineering LLC
46840 McKenzie Highway Phone and Fax
Vida, OR 97488 Ph (541) 953-6922
Fax (541) 696-3185