

**1** MECHANICAL - PARTIAL 4TH FLOOR PLAN  
SCALE 1/8"=1'-0"

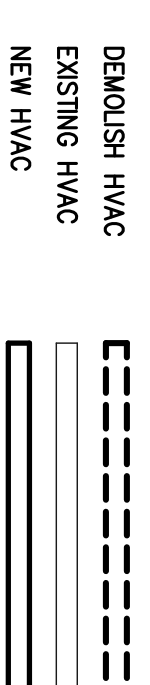
**SHEET NOTES:**

- 1 REMOVE AND RELOCATE EXISTING, INSTALL NEW OR EXTEND BRANCH DUCTWORK AND BALANCE ACCORDINGLY TO CFM SHOWN. PATCH AND CAP DUCTWORK AS NEEDED. CLEAN AND RETURN DIFFUSER AS NECESSARY.
- 2 DEMOLISH EXISTING DIFFUSER OR DUCTWORK. REMOVE, CAP AND PATCH ANY DUCTWORK THAT REMAINS.
- 3 RELOCATED RETURN DIFFUSER.
- 4 NEW RETURN DIFFUSER.
- 5 CAP EXISTING DUCTWORK.
- 6 RE-BALANCE EXISTING DIFFUSERS TO NEW CFM. CLEAN AND RETURN DIFFUSER AS NECESSARY.
- 7 EXISTING DUCT TO REMAIN. FIELD VERIFY DUCT SIZE.

**GENERAL NOTES:**

1. PROVIDE BALANCING DAMPERS FOR ALL BRANCH DUCTWORK. SEE DETAIL SHEET FOR DAMPER CONFIGURATION IN NON ACCESSIBLE CEILINGS.
2. EVERY EFFORT HAS BEEN MADE TO ASCERTAIN EXISTING SIZES TO MAINTAIN CEILING CONDITIONS AND HEIGHTS INDICATED ON ARCHITECTURAL REFLECTED CEILING PLAN.
3. CONTRACTOR IS TO SURVEY THE SPACE TO VERIFY THAT DUCTWORK CAN BE INSTALLED AS INDICATED. PRIOR TO START OF THIS SURVEY, THE ARCHITECT AND OWNER IS TO BE NOTIFIED IMMEDIATELY.
4. AIR BALANCE ALL SUPPLY DIFFUSERS AND RETURN AIR GRILLES SHOWN. SUBMIT AIR BALANCE REPORT.

**HVAC LEGEND:**



### GENERAL NOTES:

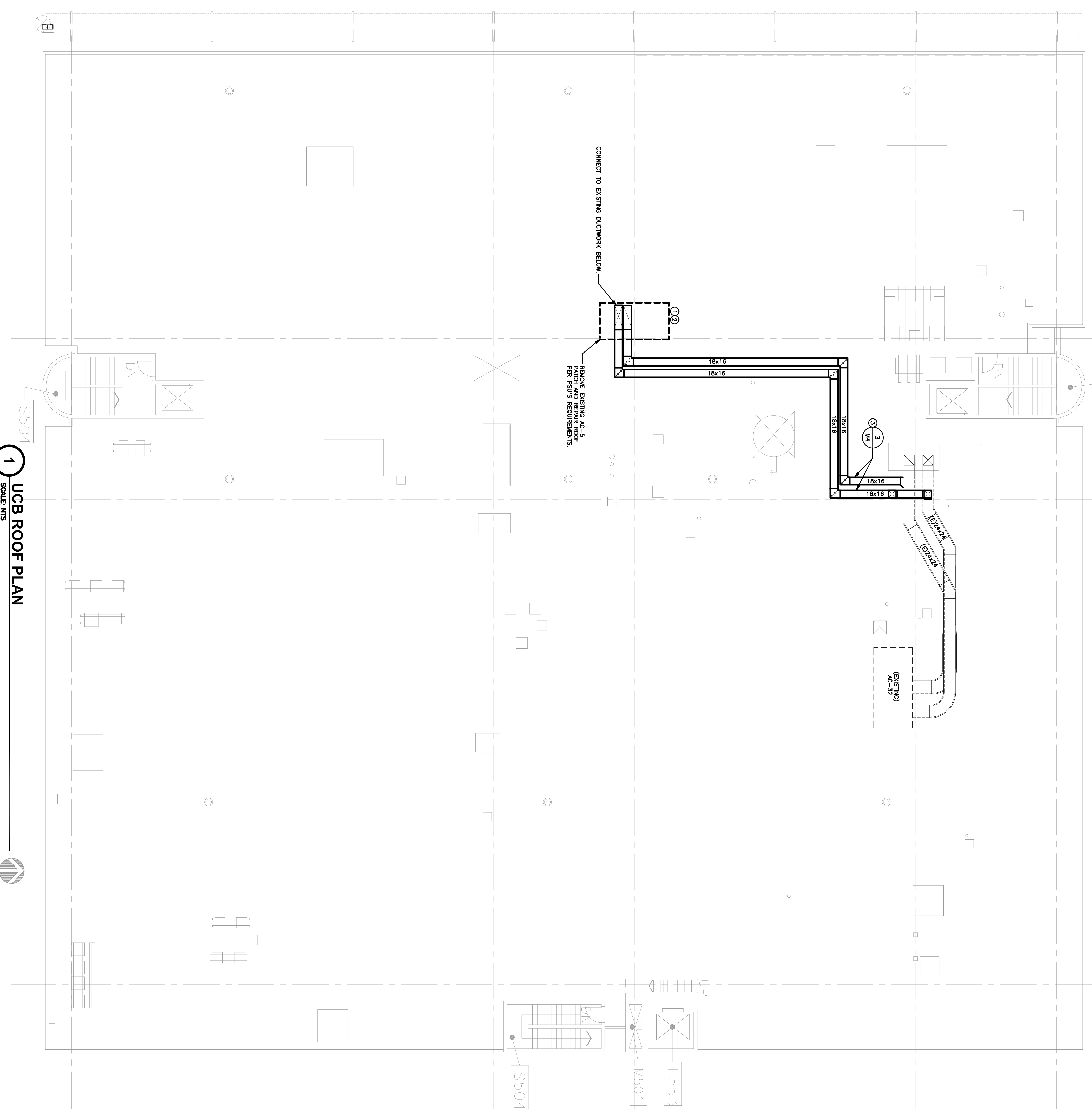
1. PATCH AND REPAIR ROOF PENETRATIONS PER LANDLORDS REQUIREMENTS.
2. DUCT BRACING AND SUPPORTS SHALL BE ATTACHED TO STRUCTURE AND DESIGNED CARRY RATING AND SEISMIC LOADS WITHIN THE STRESS LIMITATIONS OF THE BUILDING CODE.
3. EVERY EFFORT HAS BEEN MADE TO ASCERTAIN EXISTING CONDITIONS. DUCTWORK INDICATED HAS BEEN ROUTED AND SIZED TO MAINTAIN CEILING CONDITIONS AND HEIGHTS INDICATED ON ARCHITECTURAL REFLECTED CEILING PLAN.
4. CONTRACTOR IS TO SURVEY THE SPACE TO VERIFY THAT DUCTWORK CAN BE INSTALLED AS INDICATED. PRIOR TO MANUFACTURE, IF CONFLICTS ARE ENCOUNTERED AS A RESULT OF THIS SURVEY, THE ARCHITECT AND OWNER IS TO BE NOTIFIED IMMEDIATELY.

### SHEET NOTES:

- ① PROVIDE ALL NECESSARY ROOF FLASHING AND CURBS TO ACHIEVE A COMPLETE INSTALLATION & MAINTAIN FULL ROOFING WARRANTY.
- ② DEMOLISH EXISTING AC UNIT, REPAIR AND PATCH ANY DUCTWORK THAT REMAINS.
- ③ ALL DUCT PARTS EXPOSED TO THE ATMOSPHERE SHALL BE PROTECTED BY ONE (1) COAT OF CORROSION RESISTANT PRIMER AND ONE (1) COAT CORROSION RESISTANT PAINT.

### HVAC LEGEND:

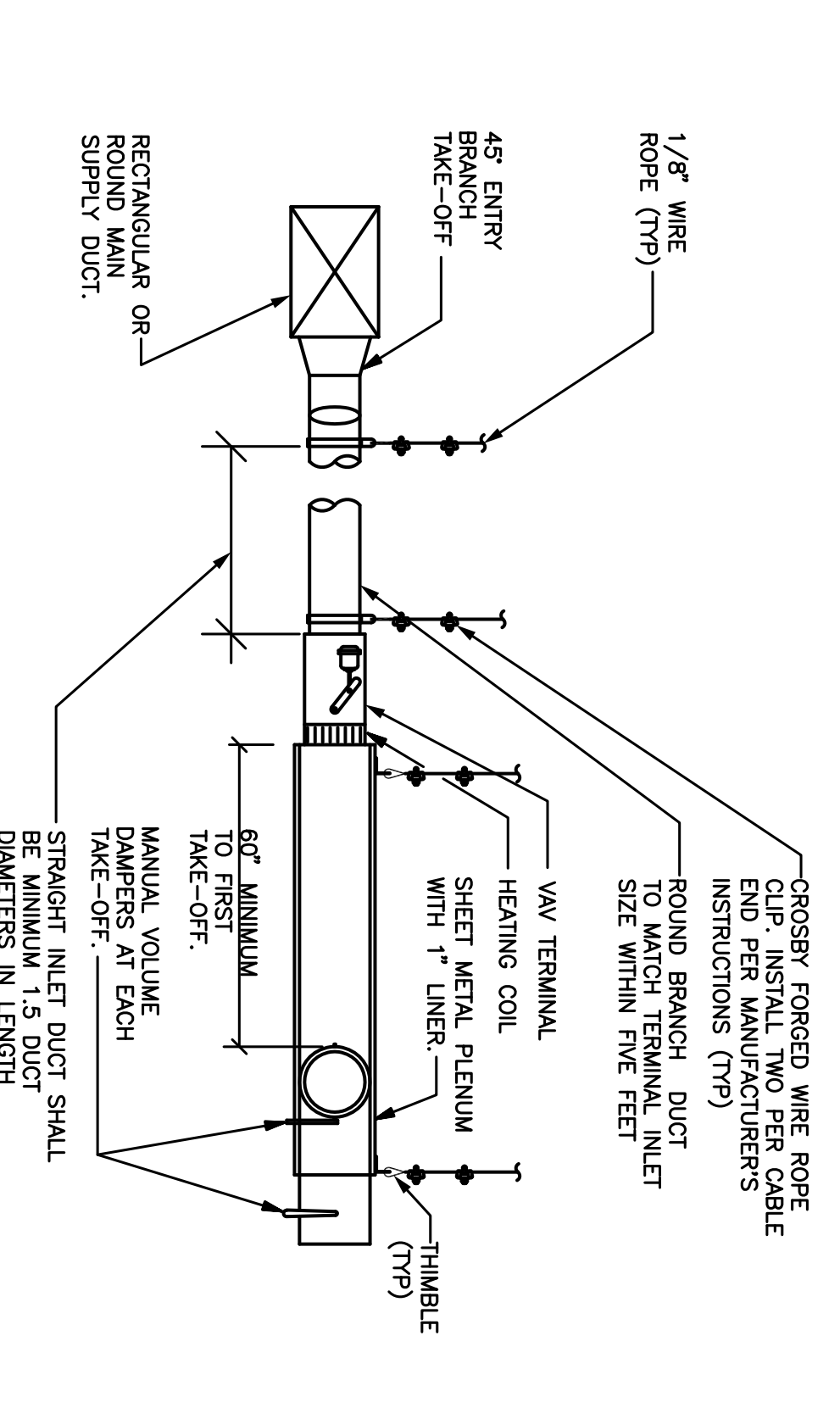
- DEMOLISH HVAC
- EXISTING HVAC
- NEW HVAC



1 UCB ROOF PLAN  
SCALE: 1/8" = 1'-0"

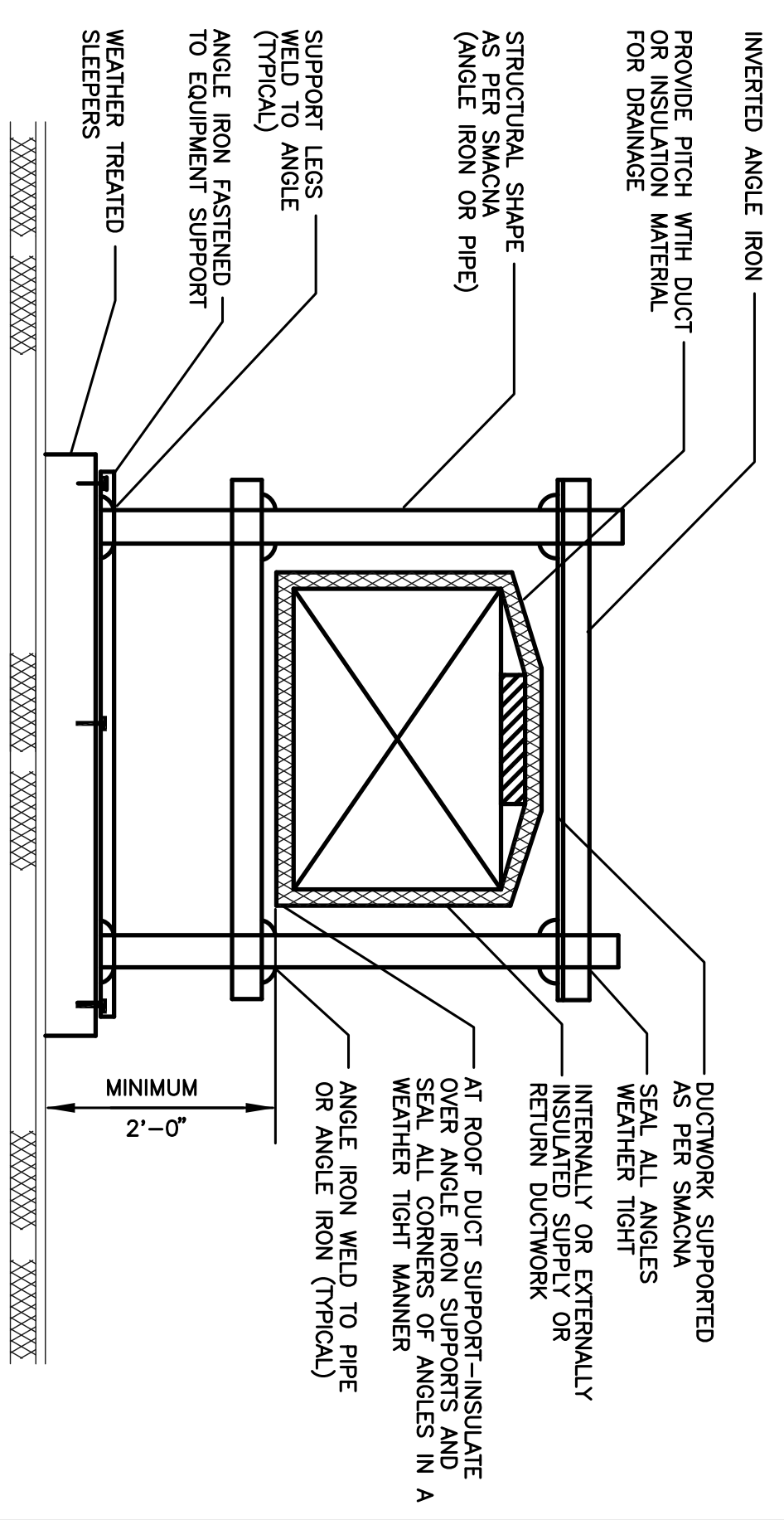


**1**  
NPS  
**SUPPLY DIFFUSER CONTROL  
DETAIL FOR ACCESSIBLE CEILING**



**2**  
NPS  
**TYPICAL VAV (TERMINAL UNIT)**

NOTES:  
1. SHEET METAL OUTLET PLENUM SHALL BE LINED WITH 1" THICK INSULATION (MINIMUM INSULATION WITH MICROSPRAL TREATMENT). INSIDE CLEAR DIMENSIONS SHALL BE 2" HIGHER THAN COIL HEIGHT AND 4" WIDER THAN COIL WIDTH.



**3**  
NPS  
**DUCT SUPPORT ON ROOF DETAIL**