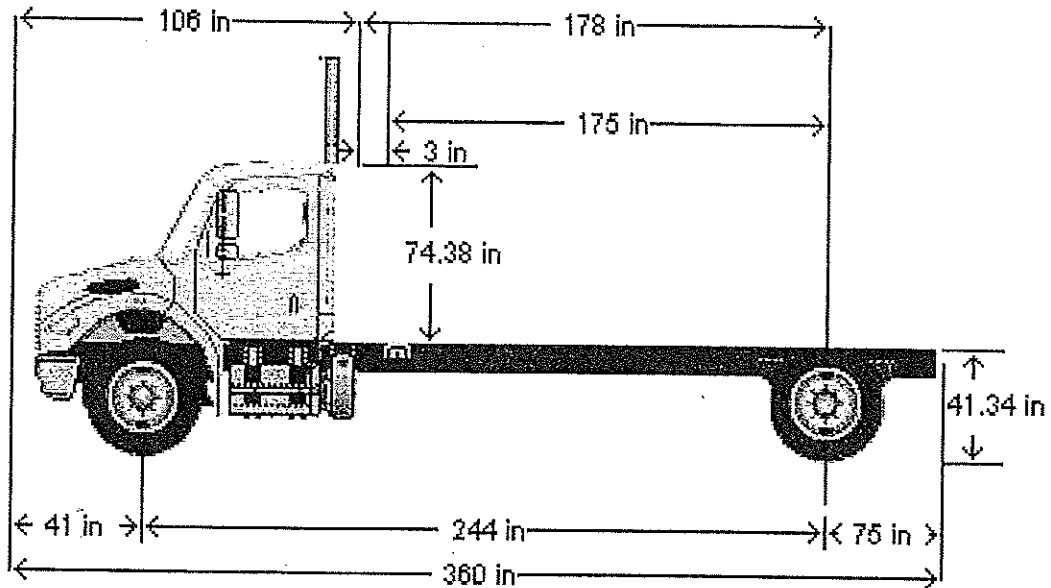


D I M E N S I O N S



VEHICLE SPECIFICATIONS SUMMARY - DIMENSIONS

Model.....	M2106
Wheelbase (545)	6200MM (244 INCH) WHEELBASE
Rear Frame Overhang (552)	1900MM (75 INCH) REAR FRAME OVERHANG
Fifth Wheel (578)	NO FIFTH WHEEL
Mounting Location (577).....	NO FIFTH WHEEL LOCATION
Maximum Forward Position (in).....	0
Maximum Rearward Position (in)	0
Amount of Slide Travel (in).....	0
Slide Increment (in).....	0
Desired Slide Position (in).....	0.0
Cab Size (829).....	106 INCH BBC FLAT ROOF ALUMINUM CONVENTIONAL CAB
Sleeper (682).....	NO SLEEPER BOX/SLEEPER CAB

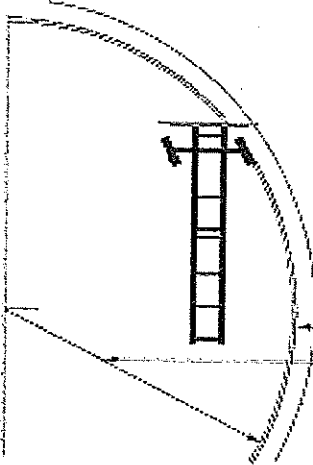
Exhaust System (016)..... RH OUTBOARD UNDER STEP MOUNTED HORIZONTAL AFTERTREATMENT SYSTEM ASSEMBLY WITH RH 8-PILLAR MOUNTED VERTICAL TAILPIPE

TABLE SUMMARY - DIMENSIONS

Dimensions	Inches
Bumper to Back of Cab (BBC)	106.3
Bumper to Centerline of Front Axle (BA)	40.7
Min. Cab to Body Clearance (CB)	3.0
Back of Cab to Centerline of Rear Axle(s) (CA)	178.4
Effective Back of Cab to Centerline of Rear Axle(s) (Effective CA)	175.4
Back of Cab Protrusions (Exhaust/Intake) (CP)	1.6
Back of Cab Protrusions (Side Extenders/Trim Tab) (CP)	0.0
Back of Cab Clearance (CL)	3.0
Back of Cab to End of Frame	253.4
Cab Height (CH)	74.4
Wheelbase (WB)	244.0
Frame Overhang (OH)	75.0
Overall Length (OAL)	359.7
Rear Axle Spacing	0.0
Unladen Frame Height at Centerline of Rear Axle	41.3

Performance calculations are estimates only. If performance calculations are critical, please contact Customer Application Engineering.

T U R N I N G R A D I U S



	Left Turn	Right Turn	Tolerance
Wall to Wall Diameter (ft)	65.1	68.3	+/- 3.0
Curb to Curb Diameter (ft)	63.4	66.6	+/- 3.0
Turning Radius (ft)	31.3	32.9	+/- 1.5

VEHICLE SPECIFICATIONS SUMMARY - TURNING RADIUS

Model.....M2106
 Cab Size (829).....106 INCH BBC FLAT ROOF ALUMINUM CONVENTIONAL CAB
 Wheelbase (545).....6200MM (244 INCH) WHEELBASE
 Front Tires (093).....GOODYEAR G661 HSA 11R22.5 14 PLY RADIAL FRONT TIRES (MATCH MARKED)
 Width (in).....10.8
 Front Axle (400).....DETROIT DA-F-12.0-3 12,000# FF1 71.5 KPI/3.74 DROP SINGLE FRONT AXLE
 Kingpin Intersection (in).....71.5
 Bumper (556).....THREE-PIECE 14 INCH PAINTED STEEL BUMPER WITH COLLAPSIBLE ENDS
 Width (in).....92.5
 Bumper Miter to Front Axle (in).....21.458
 Primary Steering Location (003).....LH PRIMARY STEERING LOCATION
 Steering Gear (536).....TRW THP-60 POWER STEERING
 Dual Steering Gear.....NONE
 Ram.....NONE
 Rear Axle (420).....DETROIT DA-RS-23.0-4 23,000# R-SERIES SINGLE REAR AXLE
 Axle Spacing (624).....NO AXLE SPACING