

**SCHNEIDER MUSEUM
ROOF REPLACEMENT**
SOUTHERN OREGON UNIVERSITY
ASHLAND, OREGON

REVISIONS

AS-BUILT
CONDITIONS

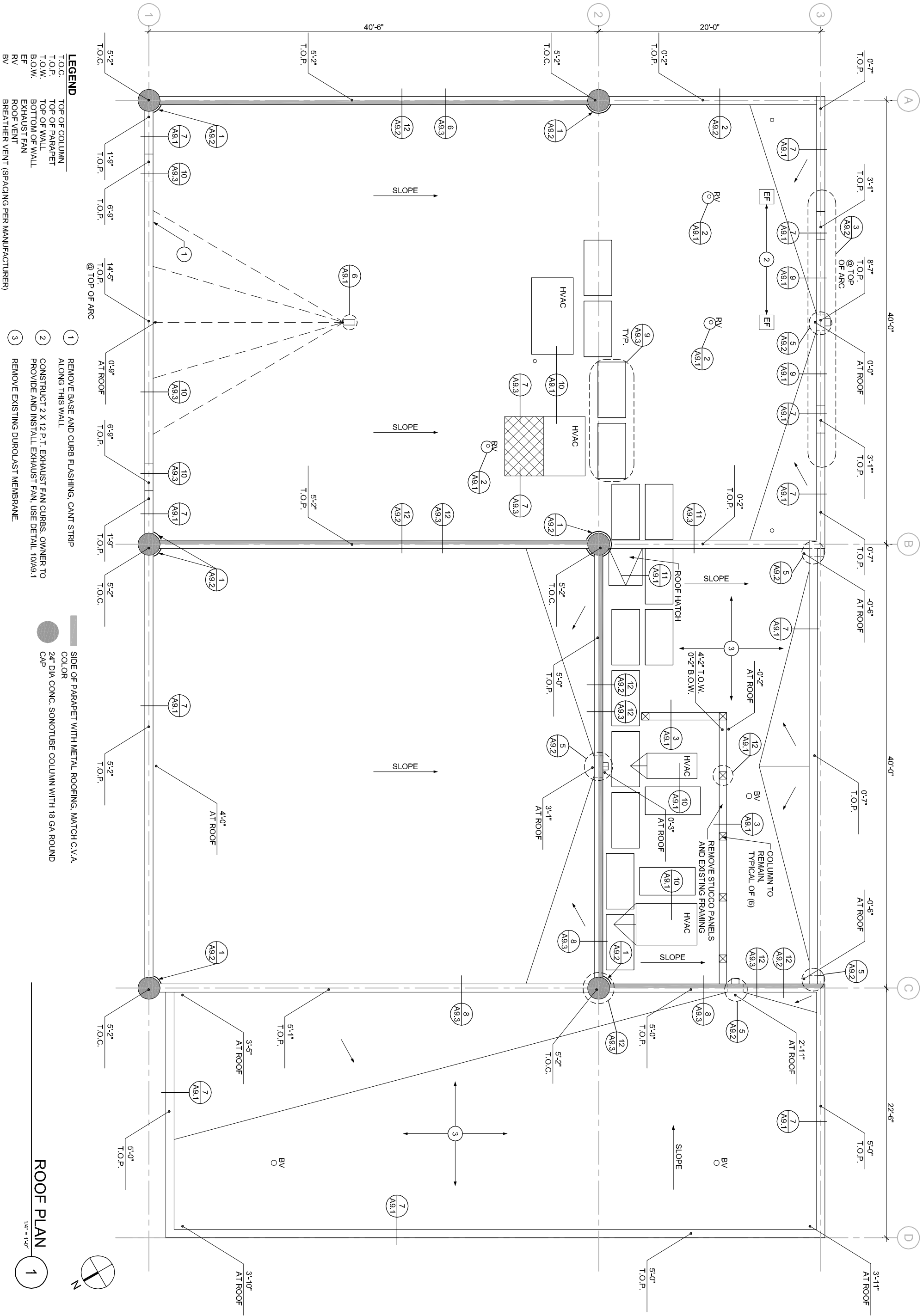
PROJECT: 12-020
ISSUE DATE: 08-07-12
SHEET:

A2.1

kistler + small + white
2010 INCORPORATED

545 A STREET
ASHLAND, OR
97520
TEL.: 541.488.8200

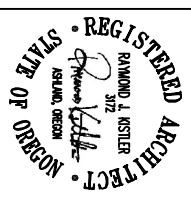
REGISTERED ARCHITECT
STATE OF OREGON
RANNO J. KISTLER
SINCE 1972
ASHLAND, OREGON



ROOF PLAN

**SCHNEIDER MUSEUM
ROOF REPLACEMENT**
SOUTHERN OREGON UNIVERSITY
ASHLAND, OREGON

REVISIONS

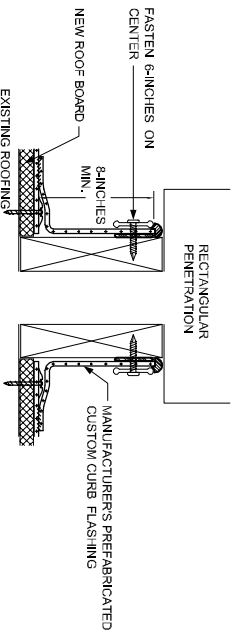


545 A STREET
ASHLAND, OR
97520
TEL.: 541.488.8200



A3.3

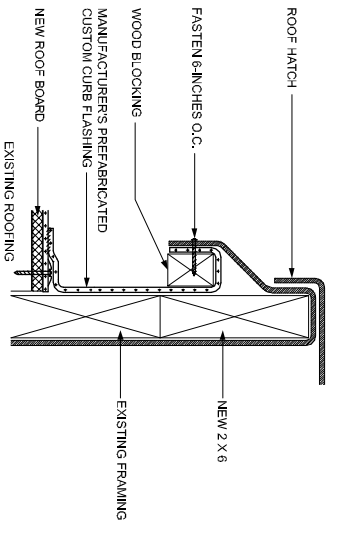
PROJECT: 12-020
ISSUE DATE: 08-07-12
SHEET:



NOTE 1: PERIMETER FASTENING OF THE EXISTING ROOFING MEMBRANE WILL BE THE SAME FASTENING PATTERN AS THE FIELD MEMBRANE. MAX. 18-INCHES ON CENTER AND NO LESS THAN ONE FASTENER PER SIDE.

NOTE 2: ALL TERMINATION BAR TO HAVE A FASTENER 1-INCH MAX. FROM EACH CORNER.

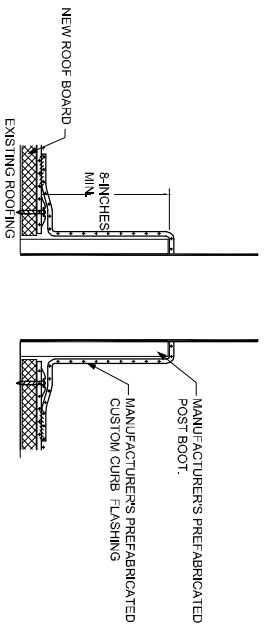
RECTANGULAR PENETRATION 10
NOT TO SCALE



NOTE 1: PERIMETER FASTENING OF THE EXISTING ROOFING MEMBRANE WILL BE THE SAME FASTENING PATTERN AS THE FIELD MEMBRANE. MAX. 18-INCHES ON CENTER AND NO LESS THAN ONE FASTENER PER SIDE.

NOTE 2: USE TREATED LUMBER AND STAINLESS STEEL FASTENERS FOR BLOCKING.

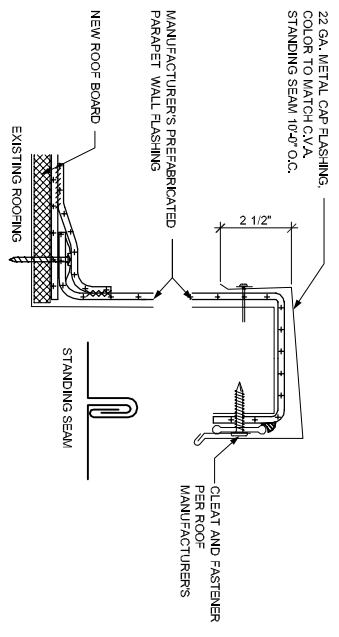
ROOF ACCESS HATCH 11
NOT TO SCALE



NOTE 1: CUSTOM BOOT AT SUPPORT POST TO BE FABRICATED BY MANUFACTURER'S ROOFING.

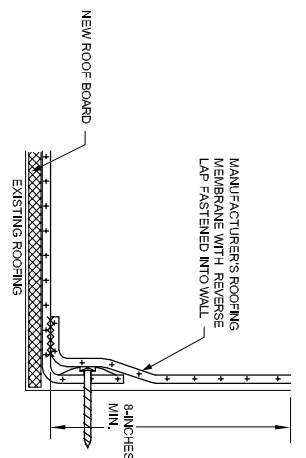
NOTE 2: PERIMETER FASTENING OF THE EXISTING ROOFING MEMBRANE WILL BE THE SAME FASTENING PATTERN AS THE FIELD MEMBRANE. MAX. 18-INCHES ON CENTER AND NO LESS THAN ONE FASTENER PER SIDE.

MECH. SCREEN SUPP POST 12
NOT TO SCALE



NOTE: FASCIA BAR AND COVER MAY BE USED IN PLACE OF TERMINATION BAR.

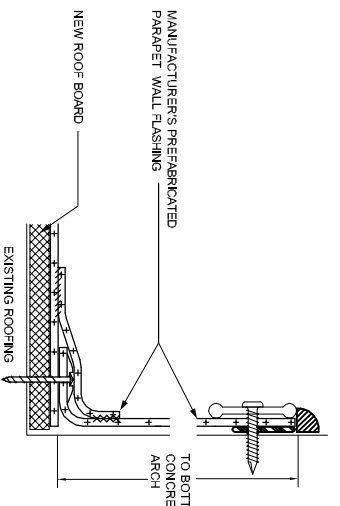
OUTSIDE WALL TERMINATION 7
NOT TO SCALE



NOTE 1: REVERSE LAPS TO FLASH WALLS ARE RECOMMENDED ONLY WHEN THE WALL IS LESS THAN 18-INCHES IN.

NOTE 2: THIS DETAIL IS NOT RECOMMENDED WHEN TAPERED INSULATION TRANSITIONS ALONG THE WALLS.

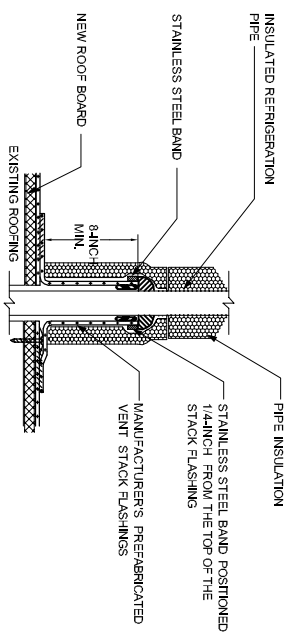
REVERSE LAP PARAPET 8
NOT TO SCALE



NOTE 1: FASCIA BAR AND COVER MAY BE USED IN PLACE OF THE TERMINATION BAR.

NOTE 2: THE SUBSTRATE MUST BE FREE AND CLEAR OF DEBRIS AT AND BELOW THE TERMINATION POINT.

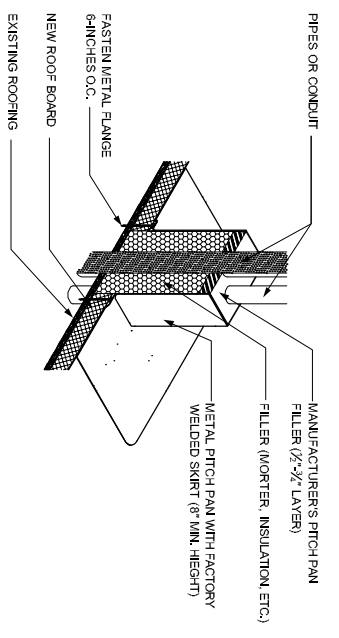
INSIDE WALL TERMINATION 9
NOT TO SCALE



NOTE 1: MEMBRANE ATTACHMENT AROUND THE PENETRATION WILL BE THE SAME AS THE EXISTING ROOFING MEMBRANE. MAX. 18-INCHES ON CENTER AND A MINIMUM OF ONE.

NOTE 2: FILL PLATE/FASTENER PER FLASHING, RESULTING VERTICAL AND HORIZONTAL GAPS WITH A URETHANE FOAM AND TAPE CLOSED.

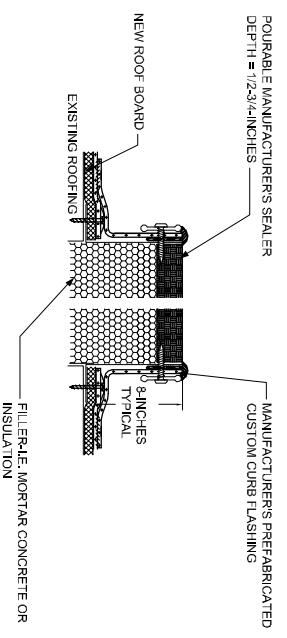
INSULATED REFR. PIPE 4
NOT TO SCALE



NOTE 1: WATER MUST NOT BE ALLOWED TO POND WITHIN THE PITCH POCKET. BE SURE THAT THE POURABLE SEALER IS LEVEL WITH THE TOP OF THE CURB.

NOTE 2: PERIMETER FASTENING OF THE EXISTING ROOFING MEMBRANE WILL BE THE SAME FASTENING PATTERN AS THE FIELD MEMBRANE. MAX. 18-INCHES ON CENTER AND NO LESS THAN ONE FASTENER PER SIDE.

VINYL-COATED MTL. PITCH PAN 5
NOT TO SCALE

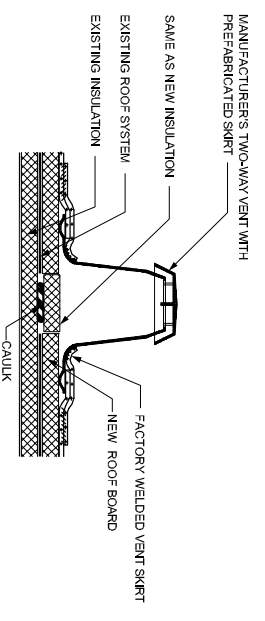


NOTE 1: WATER MUST NOT BE ALLOWED TO POND WITHIN THE PITCH POCKET. BE SURE THAT THE POURABLE SEALER IS LEVEL WITH THE TOP OF THE CURB.

NOTE 2: PERIMETER FASTENING OF THE EXISTING ROOFING MEMBRANE WILL BE THE SAME FASTENING PATTERN AS THE FIELD MEMBRANE. MAX. 18-INCHES ON CENTER AND NO LESS THAN ONE FASTENER PER SIDE.

NOTE 3: ALL TERMINATION BAR TO HAVE FASTENERS 1-INCH MAX. FROM EACH CORNER.

PITCH PAN - OPTION 2 6
NOT TO SCALE



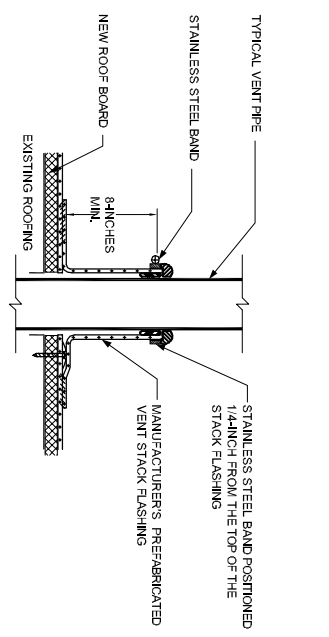
NOTE 1: INSTALL ONE VENT FOR EVERY 1,000 SQUARE FEET OF MANUFACTURER'S EXISTING ROOFING MEMBRANE. VENTS SHALL BE EVENLY SPACED BETWEEN ROWS OF FASTENING TABS ACROSS THE ROOF.

NOTE 2: CUT A 7-INCH HOLE THROUGH MANUFACTURER'S MEMBRANE FOR VENT INSTALLATION AND INSTALL FEET UNDER MEMBRANE. DO NOT FASTEN VENT TO EXISTING ROOFING.

NOTE 3: CUT A 4-INCH DIAMETER HOLE THROUGH EXISTING MEMBRANE TO EXPOSE EXISTING INSULATION. FILL THE RESULTING VOID WITH THE SAME INSULATION AS THE NEW INSTALLED INSULATION. APPLY ONLY ENOUGH DIRT-CAULK TO HOLD THE INSULATION IN PLACE.

NOTE 4: IF YOU ARE INSTALLING MEMBRANE OVER A BUILT-UP ROOF SYSTEM, IT IS NOT NECESSARY TO CUT THROUGH THE ROOF SYSTEM.

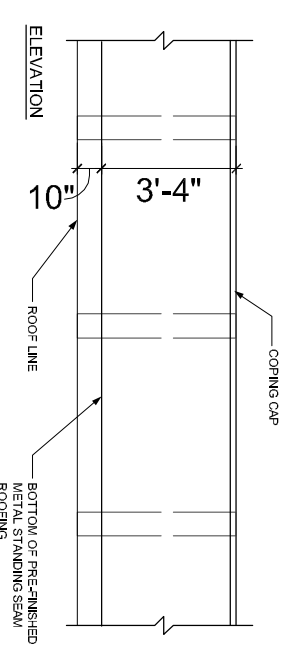
TWO-WAY BREATHER VENT 1
NOT TO SCALE



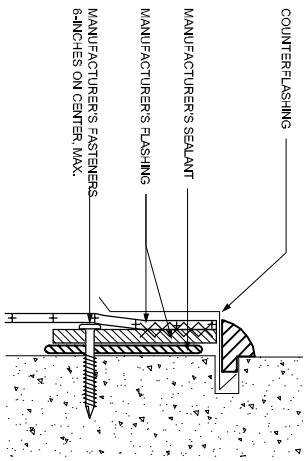
NOTE 1: IF LEAD FLASHING IS PRESENT ON THE PPE, IT MUST BE REMOVED BEFORE A MANUFACTURER'S STACK FLASHING IS INSTALLED.

NOTE 2: MEMBRANE ATTACHMENT AROUND THE PENETRATION WILL BE THE SAME AS THE EXISTING ROOFING MEMBRANE. MAX. 18-INCHES ON CENTER AND A MINIMUM ONE PLATE/FASTENER PER FLASHING.

ROUND PENETRATION 2
NOT TO SCALE

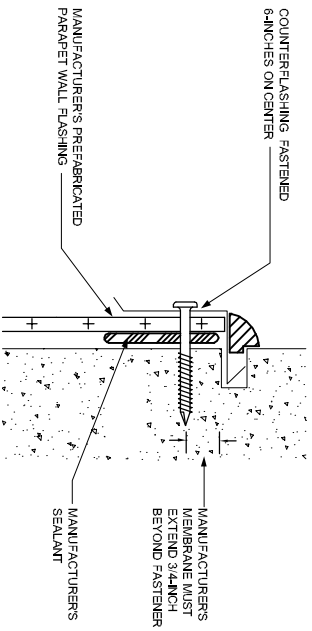


METAL SCREEN 3
NOT TO SCALE



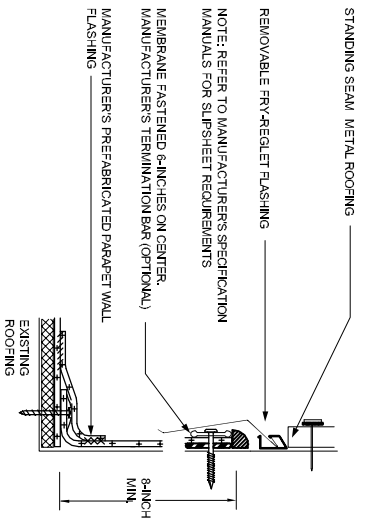
NOTE: THIS DETAIL IS ONLY APPLICABLE TO CONCRETE OR BLOCK WALLS.

FLASHING DETAIL 10
NOT TO SCALE



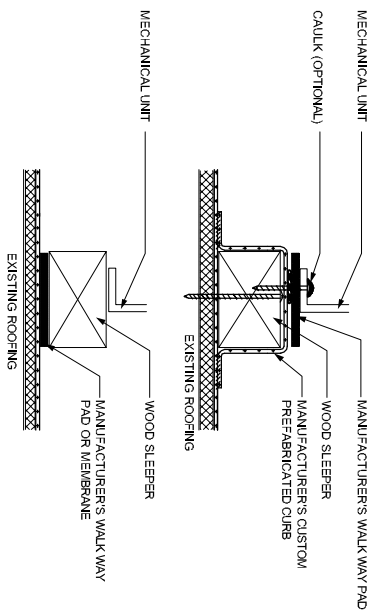
NOTE: THIS DETAIL IS ONLY APPLICABLE TO CONCRETE OR BLOCK WALLS.

REGLET COUNTERFLASHING 11
NOT TO SCALE



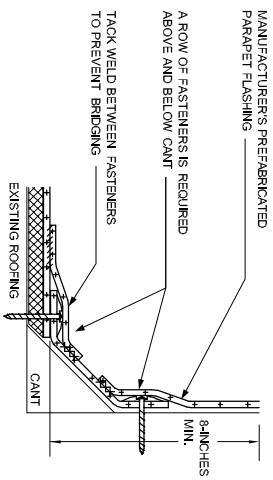
NOTE: THIS DETAIL MAY NOT BE APPLICABLE FOR VERTICAL METAL PANEL SIDING. SPECIAL CONSIDERATION SHALL BE TAKEN TO ENSURE THE STRUCTURAL INTEGRITY OF THE WALL IS NOT COMPROMISED DUE TO THE CUTTINGS OF THE WALL PANEL.

SIDING TERMINATION 12
NOT TO SCALE

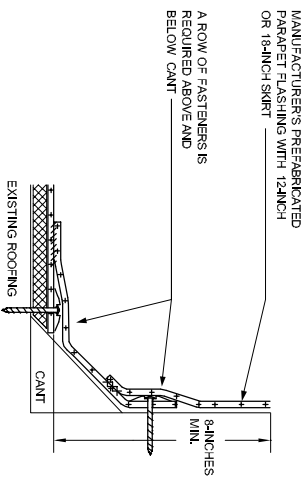


NOTE: IF THE MECHANICAL UNITS ARE OF A SIZE THAT THEY WILL CRUSH THE INSULATION THEN THE INSULATION BELOW THE SLEEPER MUST BE REPLACED BY WOOD BLOCKING.

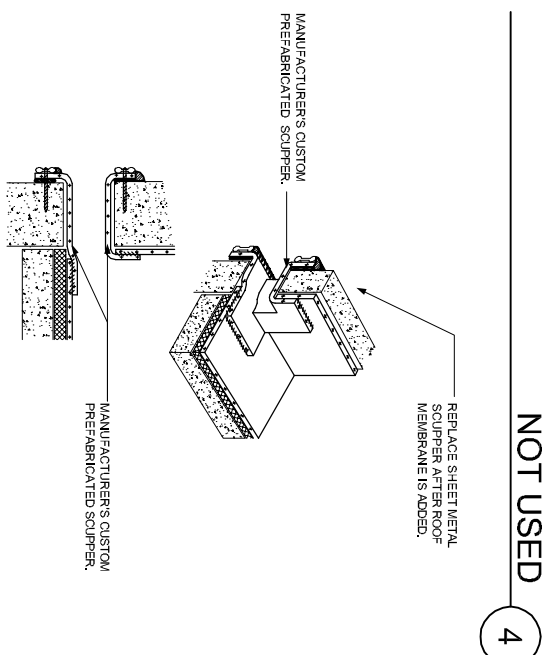
WOOD SLEEPER 7
NOT TO SCALE



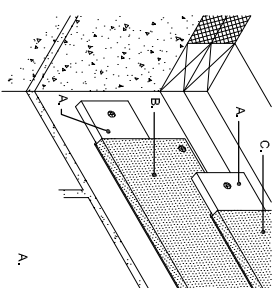
CANTED WALL - OPTION 1 8
NOT TO SCALE



CANTED WALL - OPTION 2 9
NOT TO SCALE

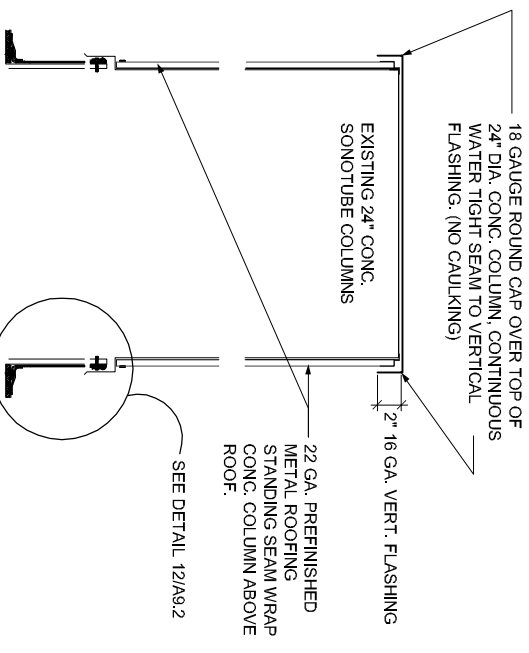


OPEN END SCUPPER 5
NOT TO SCALE

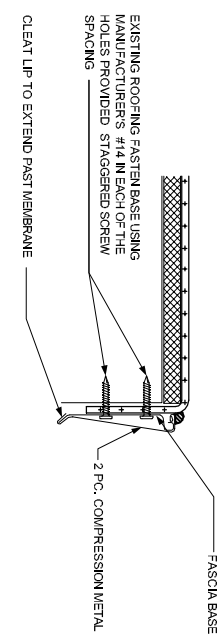


1. THE UTILITY CLEAT AND FASCIA EXTENDER MUST BE FASTENED 6-INCHES O.C. (MAX)

METAL EXTENSIONS 6
NOT TO SCALE

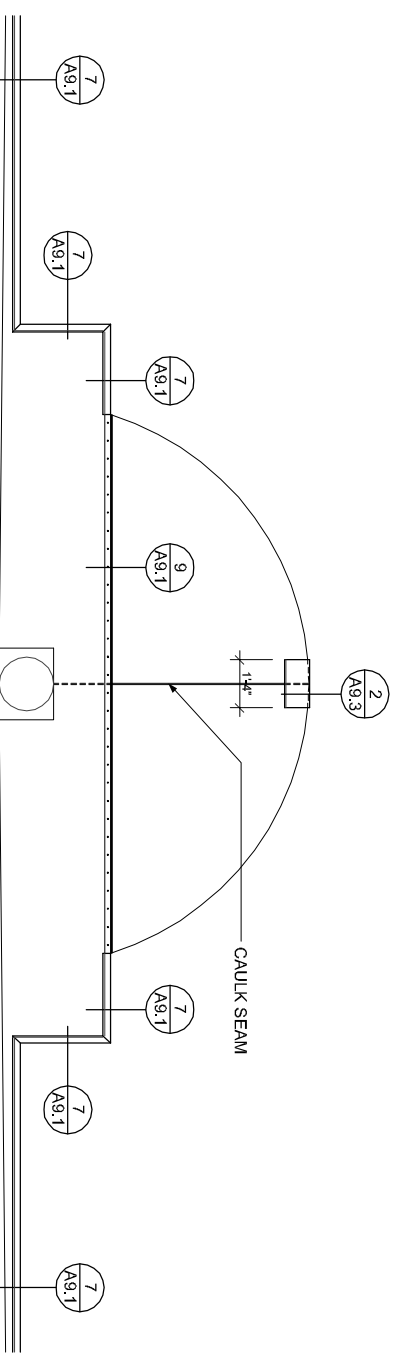


CONC. COLUMN FLASHING 1
NOT TO SCALE



NOTE 1: A 1/4-INCH GAP REQUIRED BETWEEN SECTIONS OF MANUFACTURER'S FASCIA BASE.
NOTE 2: A WOOD NAILER IS REQUIRED IF 1-INCH OF INSULATION OR GREATER IS USED. TOP OF WOOD NAILER TO BE FLUSH WITH TOP OF INSULATION. FASTENERS USED TO ATTACH WOOD NAILERS SHALL BE SPACED NO GREATER THAN 16-INCHES ON CENTER. THE FASCIA BASE SYSTEM IS NOT TO BE INSTALLED AS A GRAVEL/WATER STOP.
NOTE 3: THIS EDGING IS AVAILABLE IN 1/4-INCH AND 3/8-INCH DIMENSIONS.

4" & 6" FASCIA BASE 2
NOT TO SCALE



CONCRETE PARAPET ELEVATION DETAIL 3
3/8"=1'-0"

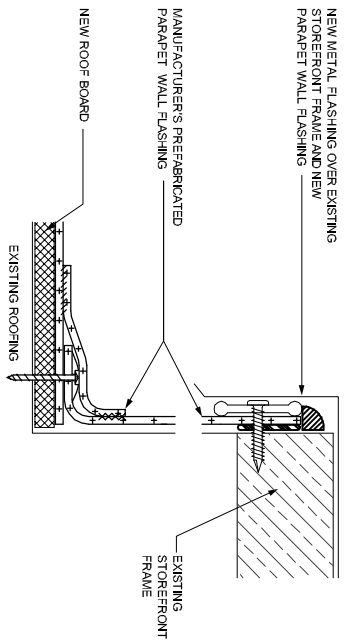
Kistler + small + white
ARCHITECTS
545 A STREET
ASHLAND, OREGON
97520
TEL.: 541.488.8200

REGISTERED ARCHITECT
STATE OF OREGON
RANIMD J. KISTLER
3172
ASHLAND, OREGON

SCHNEIDER MUSEUM
ROOF REPLACEMENT
SOUTHERN OREGON UNIVERSITY
ASHLAND, OREGON

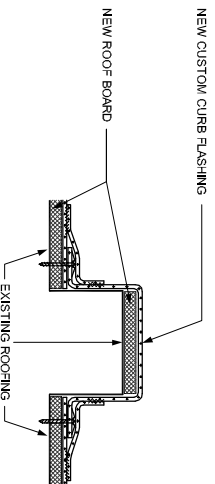
REVISIONS
EXTERIOR
DETAILS

PROJECT: 12-020
ISSUE DATE: 08-07-12
SHEET:
A9.2



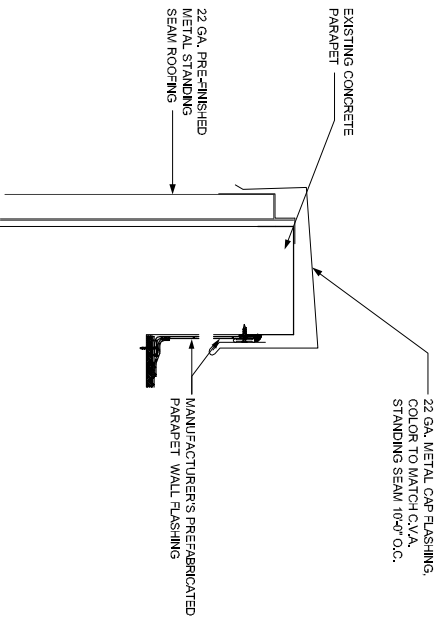
NOTE 1: FASCIA BAR AND COVER MAY BE USED IN PLACE OF THE TERMINATION BAR.
NOTE 2: THE SUBSTRATE MUST BE FREE AND CLEAR OF DEBRIS AT AND BELOW THE TERMINATION POINT.

FLASHING AT STOREFRONT FRAME 10
NOT TO SCALE

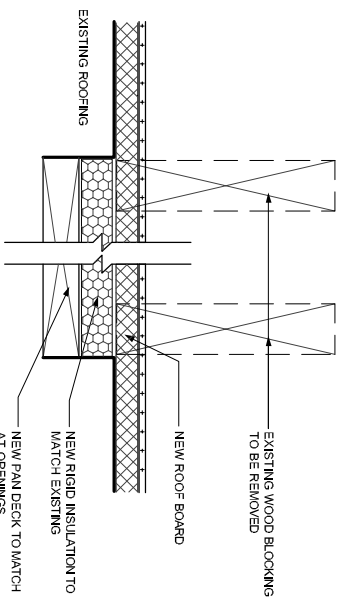


NOTE: PERIMETER OF LOW CURB TO BE MECHANICALLY FASTENED WITH THE SAME FASTENING PATTERN AS THE FIELD MEMBRANE MAX. 18 INCHES ON CENTER.

LOW CURB BETWEEN ROOFS 11
NOT TO SCALE

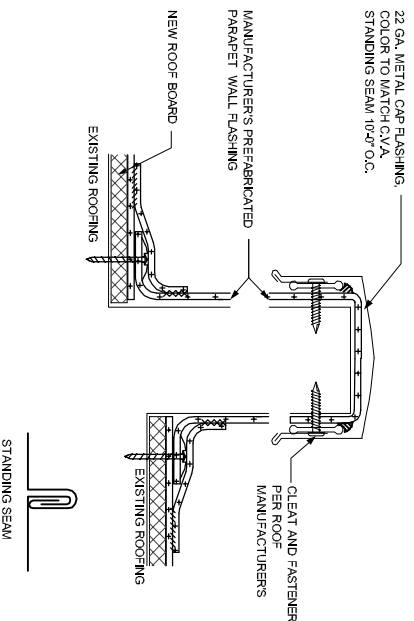


PARAPET CAP 12
NOT TO SCALE



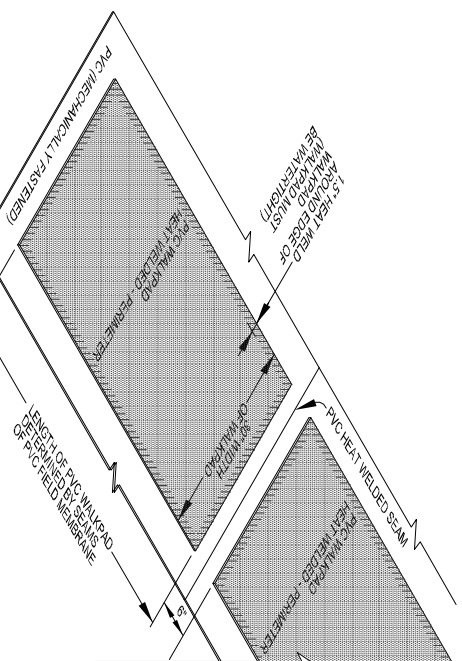
NOTE 1: PERIMETER FASTENING OF THE DECK MEMBRANE WILL BE THE SAME FASTENING PATTERN AS THE FIELD MEMBRANE, MAX. 18\"/>

ROOF PENETRATION PATCH 7
NOT TO SCALE



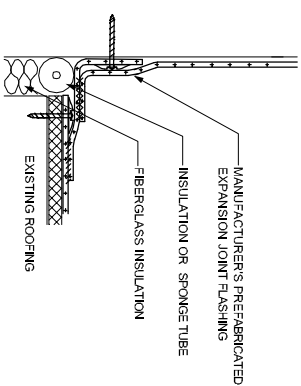
NOTE: FASCIA BAR AND COVER MAY BE USED IN PLACE OF TERMINATION BAR.

PARAPET BETWEEN ROOFS 8
NOT TO SCALE



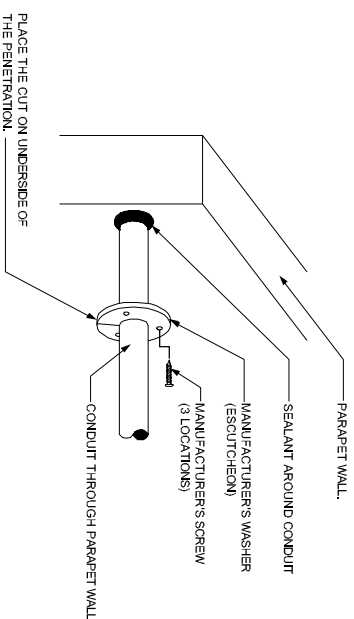
NOTES:
1. WALKPADS MUST ALLOWED TO RELAX IN THE SUN FOR 30 MINUTES PRIOR TO INSTALLATION.
2. THE WALKPADS MUST NOT BE INSTALLED OVER FIELD SEAMS AND FASTENER ROWS AND MUST BE GAPPED FROM THESE AREAS A MINIMUM OF 6\"/>

WALK PAD DETAIL 9
NOT TO SCALE



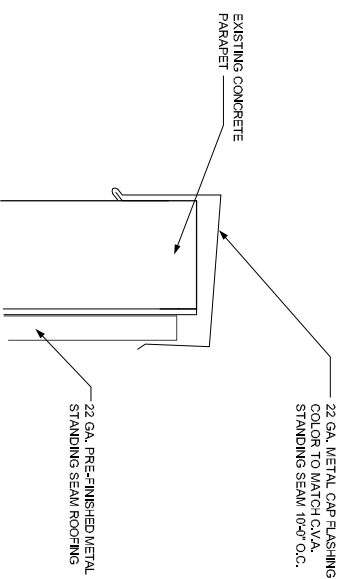
NOTE: IF THERE ARE GAPS BETWEEN THE PARAPET WALLS AND THE DECK, THIS DETAIL MUST BE USED. THIS WILL BE USED TO PREVENT INTERIOR BUILDING MOISTURE FROM ESCAPING INTO THE NEW ROOF SYSTEM.

OUTSIDE WALL TERMINATIONS 4
NOT TO SCALE

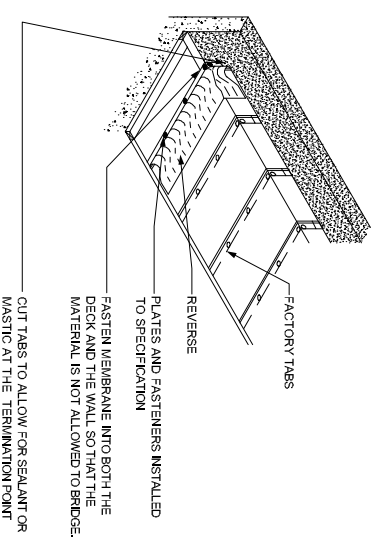


NOTE: APPLY SEALANT ON ENTIRE BACK SIDE OF CONDUIT WASHER PRIOR TO INSTALLATION. SEAL AROUND CONDUIT BEFORE AND AFTER ESCUTCHEON INSTALLATION. THIS DETAIL ACCEPTABLE ONLY ON VERTICAL SURFACES THAT ARE ABOVE THE RAINCHIM. REQUIREMENT.

CONDUIT WASHER 5
NOT TO SCALE

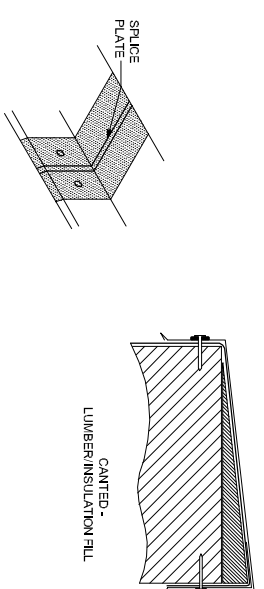


PARAPET CAP 6
NOT TO SCALE



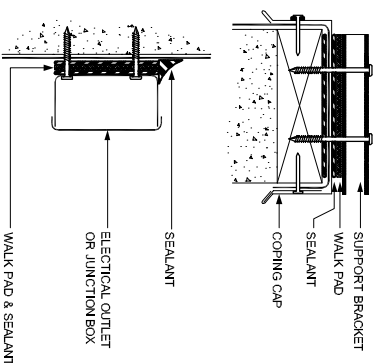
NOTE 1: THIS DETAIL CANNOT BE USED ON TAB SYSTEMS THAT EXCEED 8\"/>

PERP. TAB WALL FLASHING 1
NOT TO SCALE



NOTE 1: IF THE FASTENERS ARE TO PENETRATE THROUGH THE COPING CAP, THEN RUBBER GROMMETTED FASTENERS MUST BE USED.
NOTE 2: INDIVIDUAL SECTIONS OF COPING CAP AND COPING CAP ACCESSORIES MUST BE JOINED BY A SPLICE PLATE.
NOTE 3: ALL JOINTS ARE TO BE SEALED WITH MANUFACTURER'S CALKLS AND/OR SEALANTS.

COPING CAP OPTIONS 2
NOT TO SCALE



ELECTRICAL FIXTURE ATTACHMENT 3
NOT TO SCALE