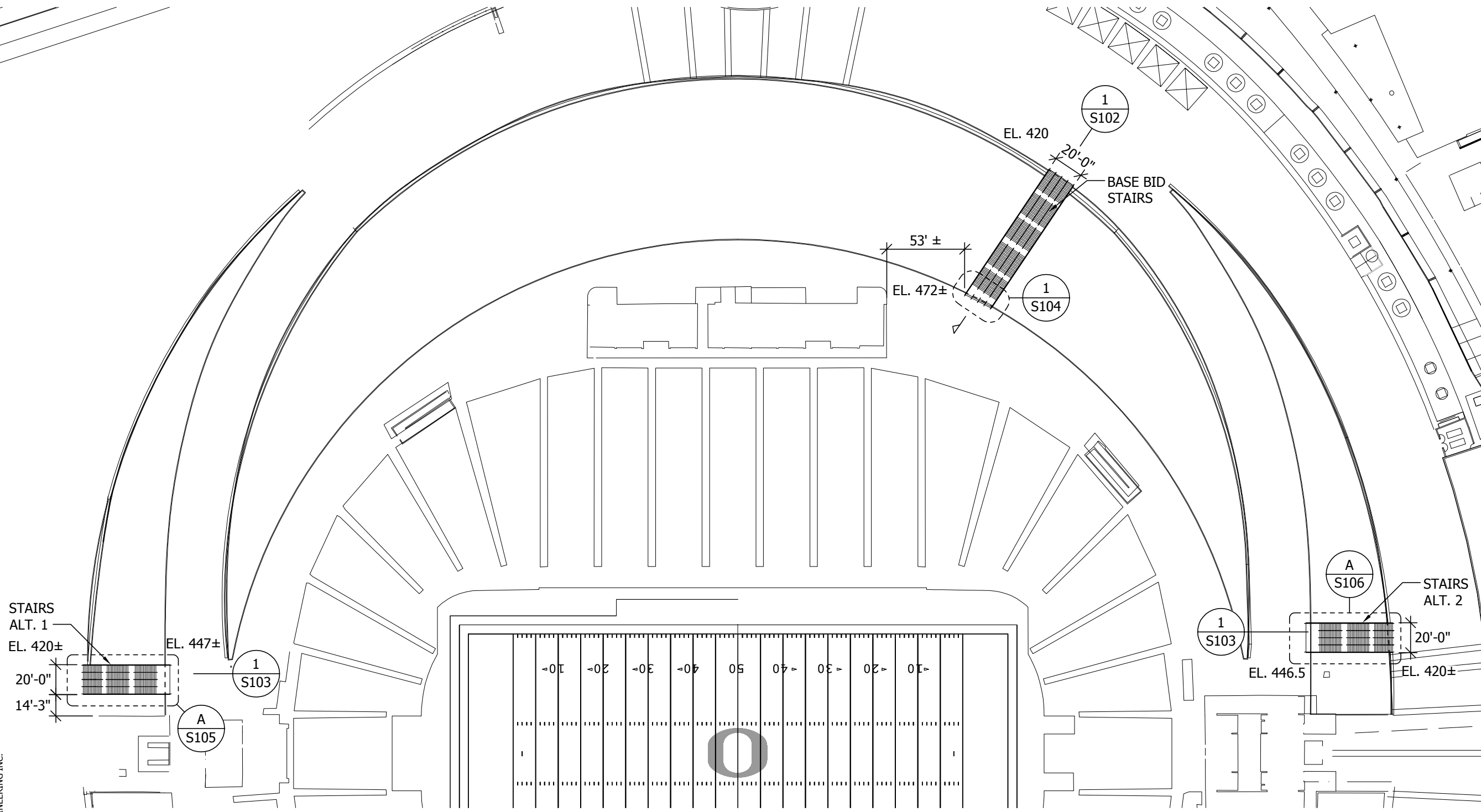


No.	Revisory/Issue	Date



KEY PLAN
 SCALE 1:850



DRAWING TITLE:

KEY PLAN

UNIVERSITY OF OREGON

EUGENE, OREGON 97403-12176
 1276 UNIVERSITY OF OREGON
 FACILITIES SERVICES

PROJECT NAME:

**AUTZEN STADIUM
 TEMPORARY STAIRS**

PROJECT NO.:

519-200

DATE:

6/26/2012

SCALE:

AS SHOWN

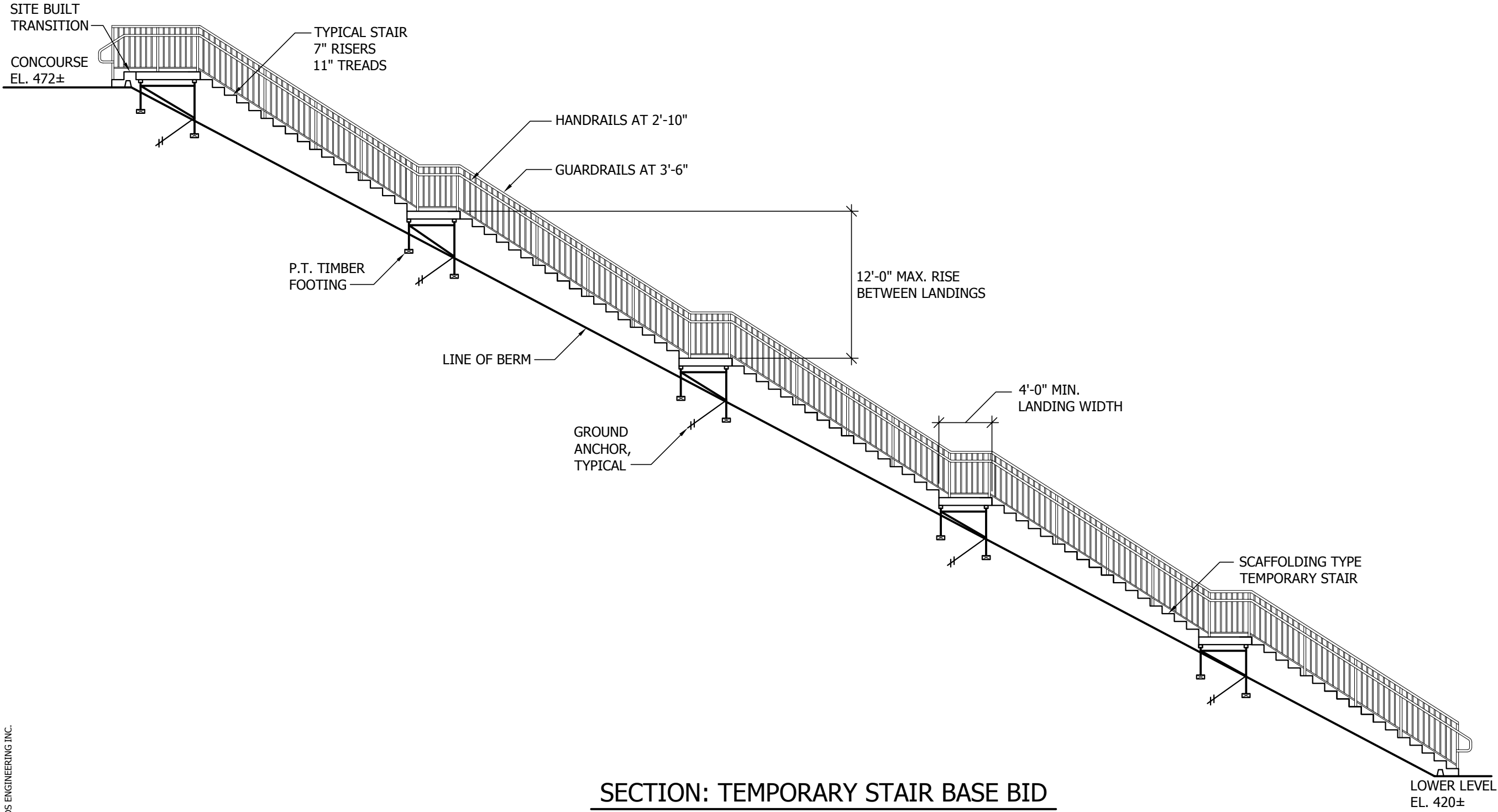
DRAWING NO.:

S101

No.	Revisory/Issue	Date



RENEWAL DATE: 12-31-2012



SECTION: TEMPORARY STAIR BASE BID
 SCALE: 1/8" = 1'-0"

DRAWING TITLE: **TEMPORARY STAIR BASE BID**

UNIVERSITY OF OREGON

EUGENE, OREGON 97403-12176
 1276 UNIVERSITY OF OREGON FACILITIES SERVICES

PROJECT NAME:
**AUTZEN STADIUM
 TEMPORARY STAIRS**

PROJECT NO.:
519-200

DATE:
6/26/2012

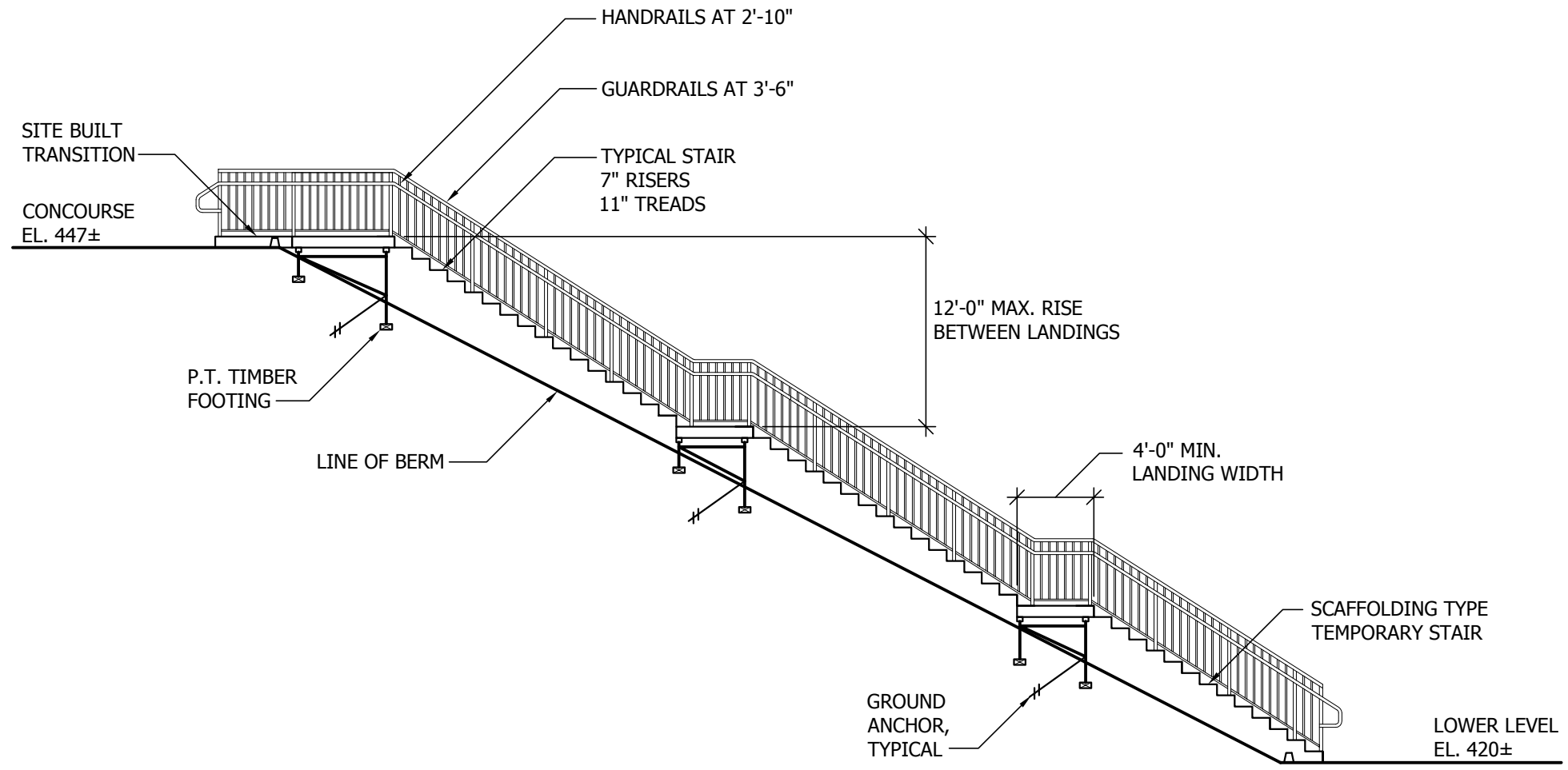
SCALE:
AS SHOWN

DRAWING NO.:
S102

No.	Revisory/Issue	Date



RENEWAL DATE: 12-31-2012



SECTION: TEMPORARY STAIR, ALTERNATES 1 AND 2

SCALE: 1/8" = 1'-0"

DRAWING TITLE:
TEMPORARY STAIR, ALTERNATES 1 AND 2

UNIVERSITY OF OREGON
 EUGENE, OREGON 97403-12176
 1276 UNIVERSITY OF OREGON FACILITIES SERVICES

PROJECT NAME:
AUTZEN STADIUM TEMPORARY STAIRS

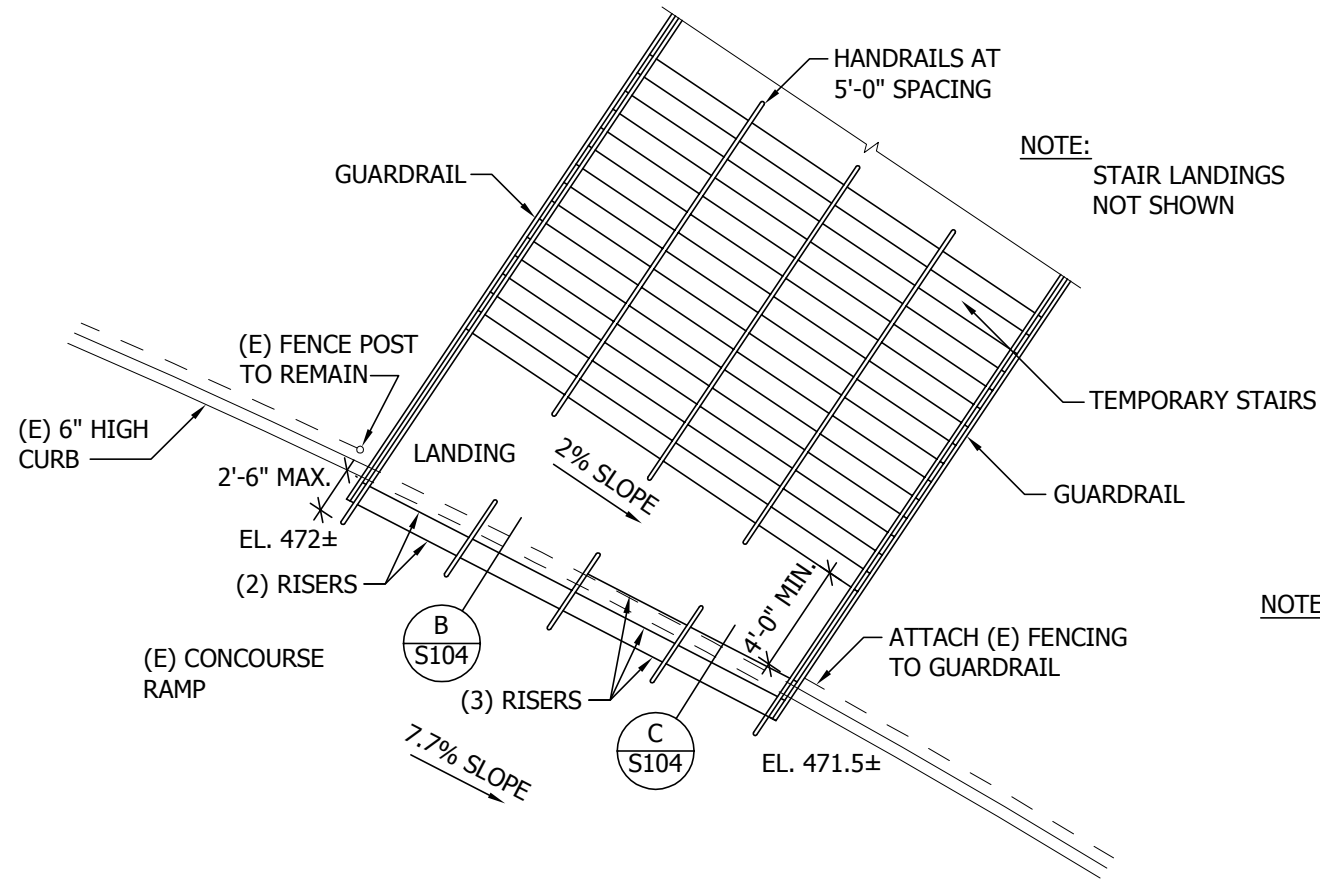
PROJECT NO.:
519-200

DATE:
6/26/2012

SCALE:
AS SHOWN

DRAWING NO.:
S103

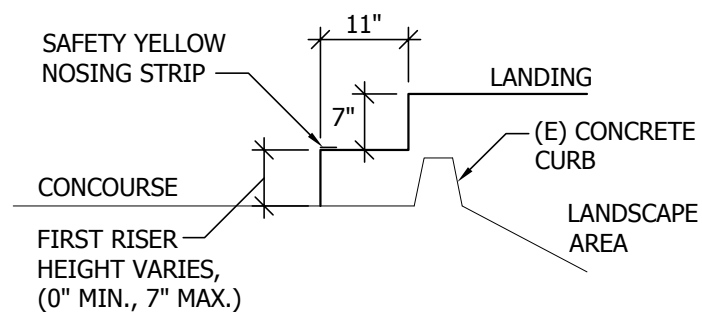
No.	Revisory/Issue	Date



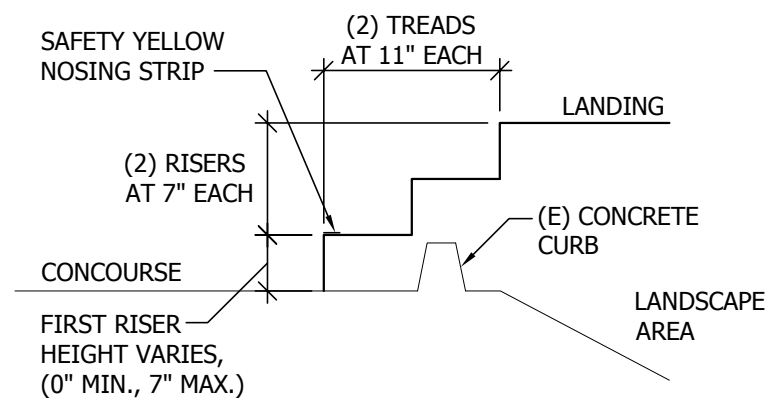
NOTE: STAIR LANDINGS NOT SHOWN

NOTE: CUT EXISTING PIPE GUARDRAIL, POSTS AND CHAIN LINK FENCING TO INSTALL STAIR. DELIVER PARTS TO OWNER. REINSTALLATION OF FENCE TO BE BY OWNER.

A
S104
 PLAN: TOP OF BASE BID STAIR
 SCALE: 1/8" = 1'-0"



B
S104
 SECTION
 SCALE: 1/2" = 1'-0"



C
S104
 SECTION
 SCALE: 1/2" = 1'-0"



RENEWAL DATE: 12-31-2012

DRAWING TITLE: **TOP OF BASE BID STAIR**

UNIVERSITY OF OREGON

EUGENE, OREGON 97403-12176
 1276 UNIVERSITY OF OREGON
 FACILITIES SERVICES

PROJECT NAME:
**AUTZEN STADIUM
 TEMPORARY STAIRS**

PROJECT NO.:
519-200

DATE:
6/26/2012

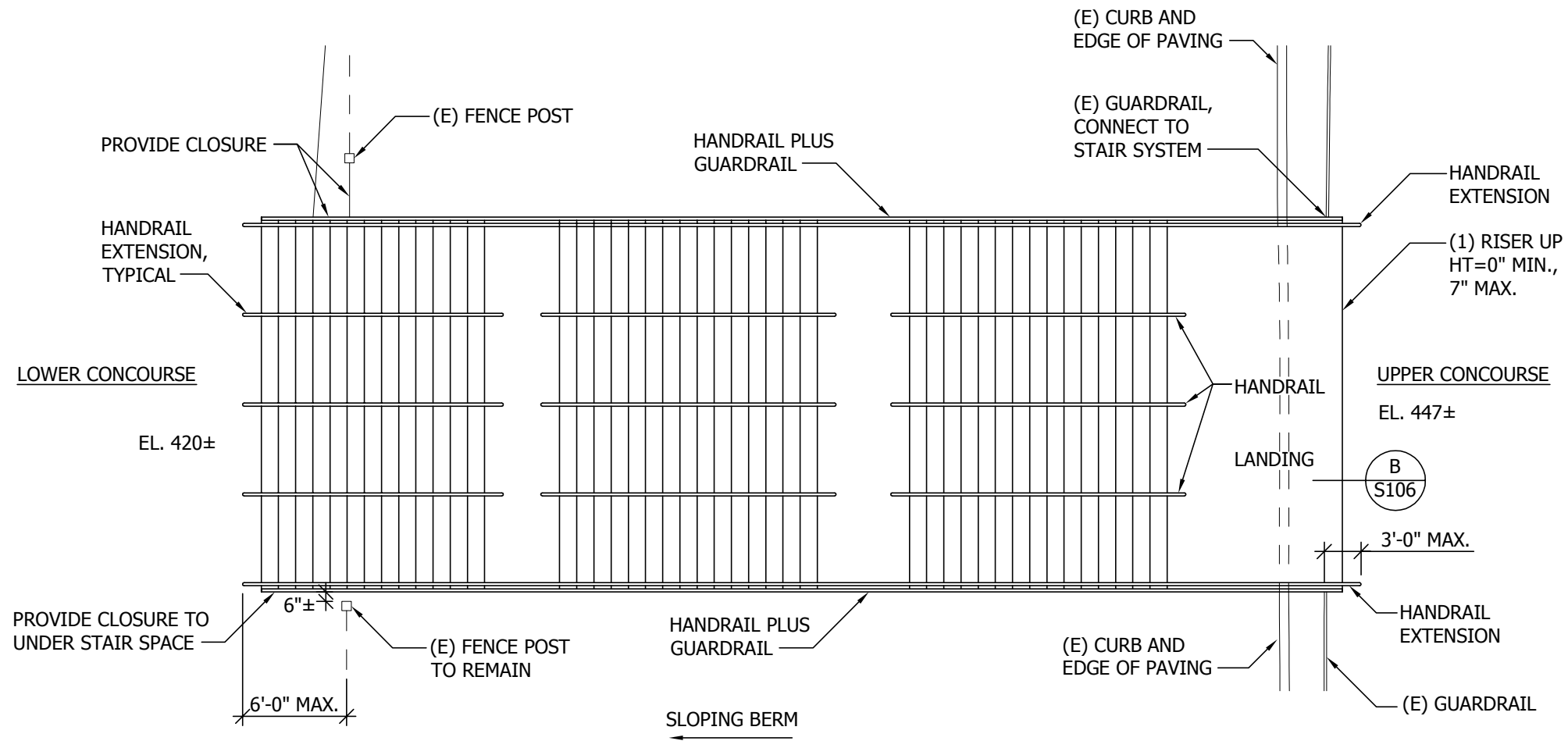
SCALE:
AS SHOWN

DRAWING NO.:
S104

No.	Revisory/Issue	Date



RENEWAL DATE: 12-31-2012



NOTE:
 REMOVE EXISTING FENCE PANELS AND POSTS AT LOWER CONCOURSE AS REQUIRED TO INSTALL STAIR. DELIVER PARTS TO OWNER. REINSTALLATION OF FENCE TO BE BY OWNER.

NOTE:
 CUT AND REMOVE EXISTING GUARDRAILS, POSTS AND CHAIN LINK FENCING AS REQUIRED TO INSTALL STAIR. DELIVER PARTS TO OWNER. REINSTALLATION OF GUARDRAIL SYSTEM TO BE BY OWNER.

A
S105 PLAN: TEMPORARY STAIR, ALTERNATE 1
 1/8" = 1'-0"

DRAWING TITLE: **TEMPORARY STAIR, ALTERNATE 1**

UNIVERSITY OF OREGON

EUGENE, OREGON 97403-12176
 1276 UNIVERSITY OF OREGON FACILITIES SERVICES

PROJECT NAME:
AUTZEN STADIUM TEMPORARY STAIRS

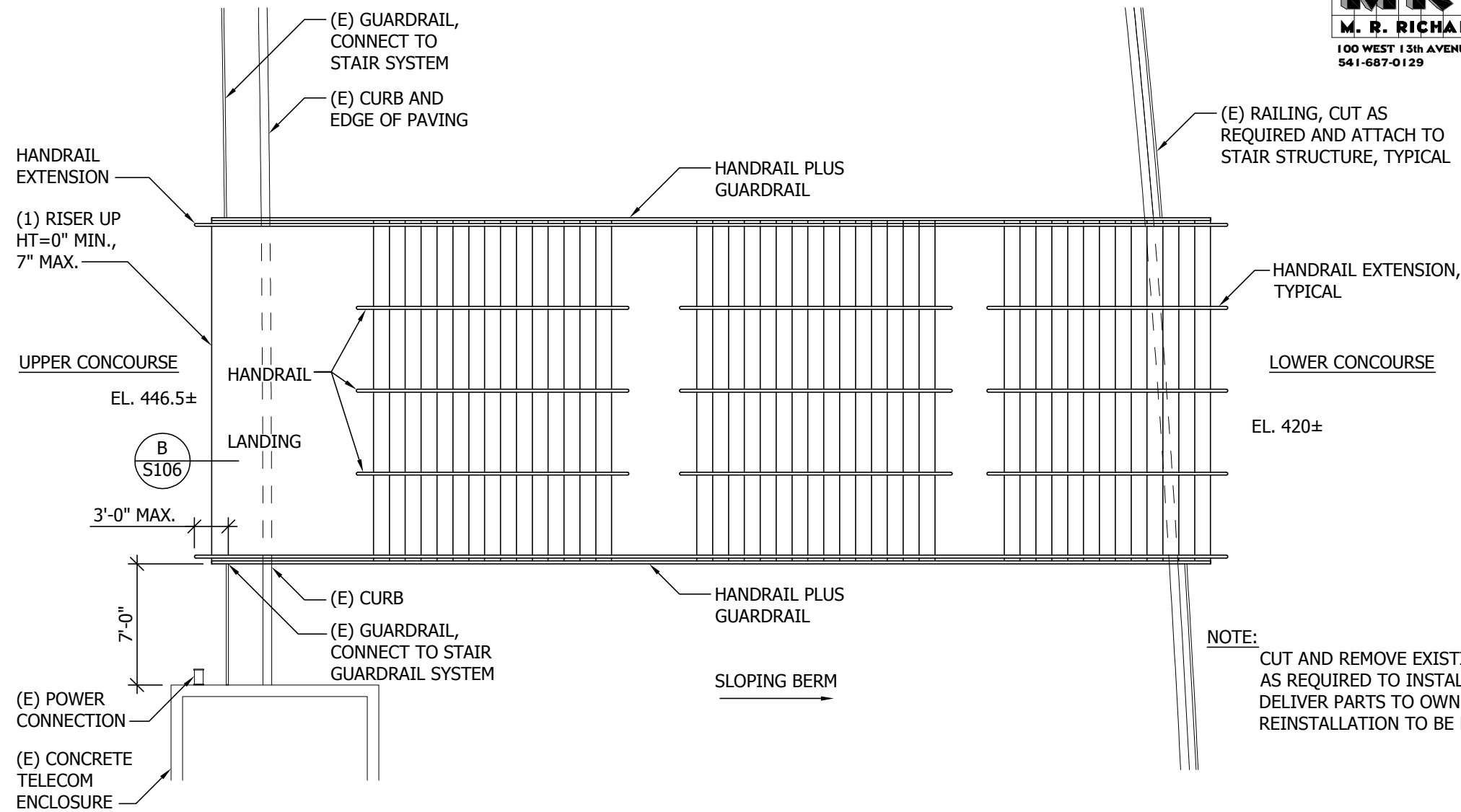
PROJECT NO.:
519-200

DATE:
6/26/2012

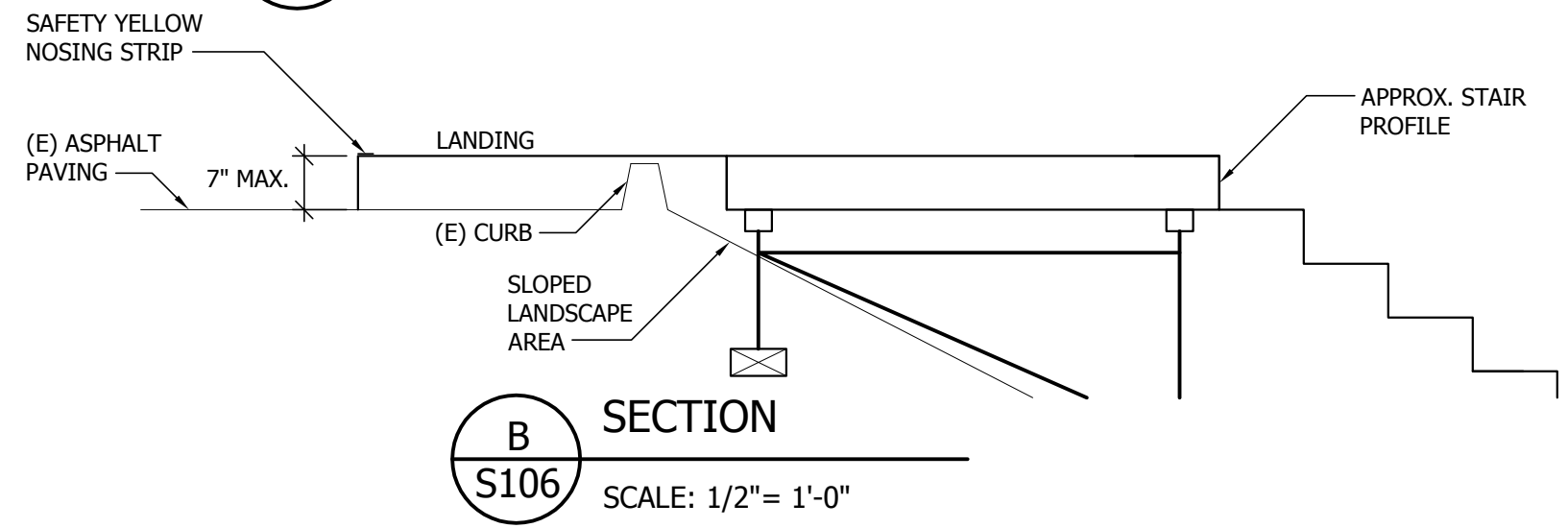
SCALE:
AS SHOWN

DRAWING NO.:
S105

No.	Revisory/Issue	Date



A
S106 PLAN: TEMPORARY STAIR, ALTERNATE 2
 SCALE: 1/8" = 1'-0"



DRAWING TITLE: **TEMPORARY STAIR, ALTERNATE 2**

UNIVERSITY OF OREGON

EUGENE, OREGON 97403-12176
 1276 UNIVERSITY OF OREGON FACILITIES SERVICES

PROJECT NAME:
**AUTZEN STADIUM
 TEMPORARY STAIRS**

PROJECT NO.:
519-200

DATE:
6/26/2012

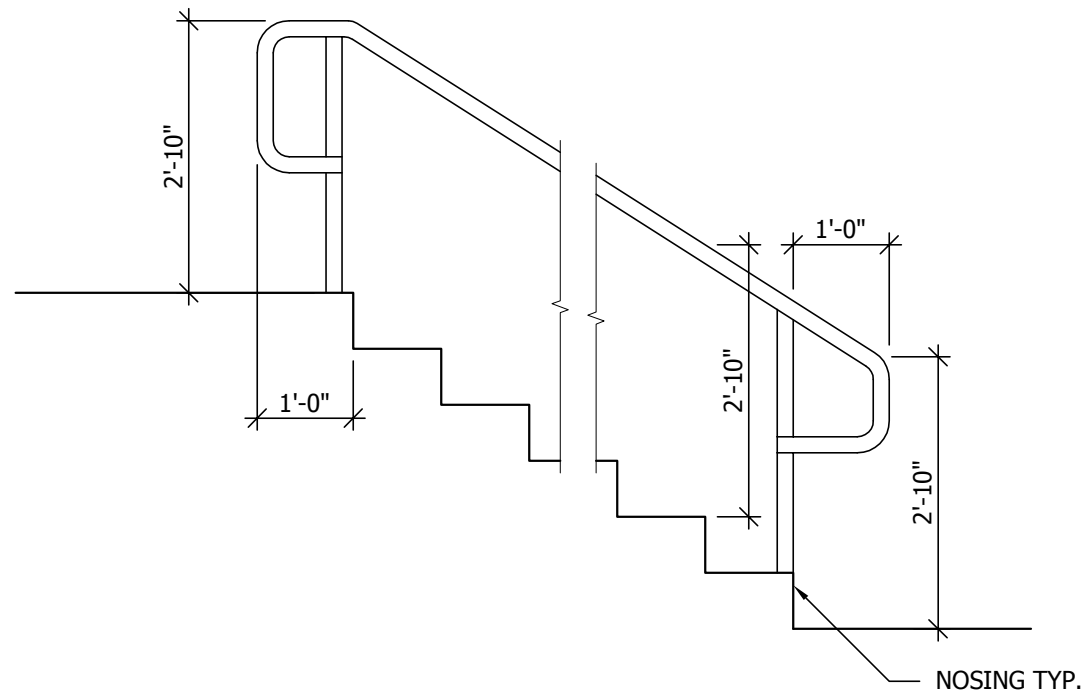
SCALE:
AS SHOWN

DRAWING NO.:
S106

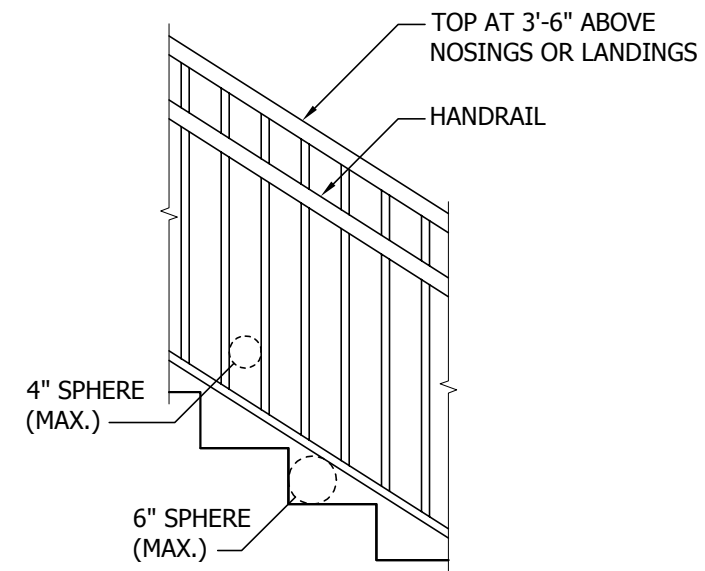
No.	Revisory/Issue	Date



RENEWAL DATE: 12-31-2012



A
S107 **DETAIL: HANDRAIL WITH EXTENSIONS**
 SCALE: 1/2"=1'-0"



B
S107 **DETAIL: GUARDRAILS**
 SCALE: 1/2"=1'-0"

DRAWING TITLE: **DETAILS**

UNIVERSITY OF OREGON

EUGENE, OREGON 97403-12176
 1276 UNIVERSITY OF OREGON
 FACILITIES SERVICES

PROJECT NAME:
**AUTZEN STADIUM
 TEMPORARY STAIRS**

PROJECT NO.:
519-200

DATE:
6/26/2012

SCALE:
AS SHOWN

DRAWING NO.:
S107